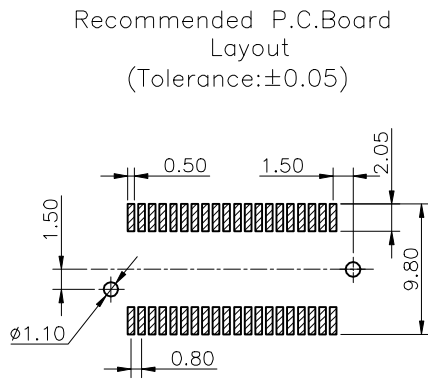
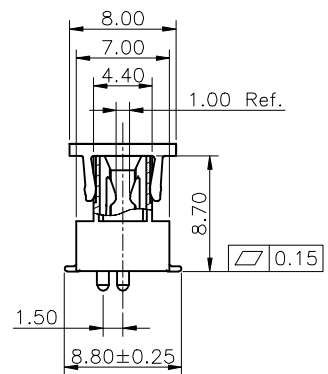
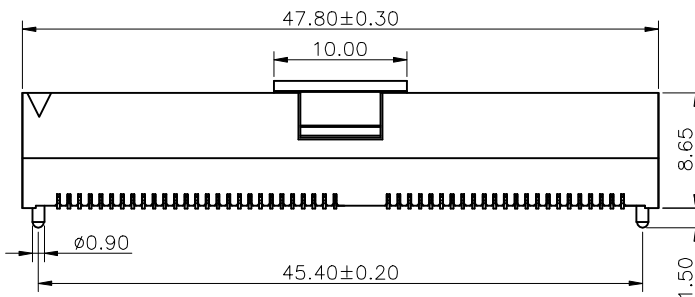
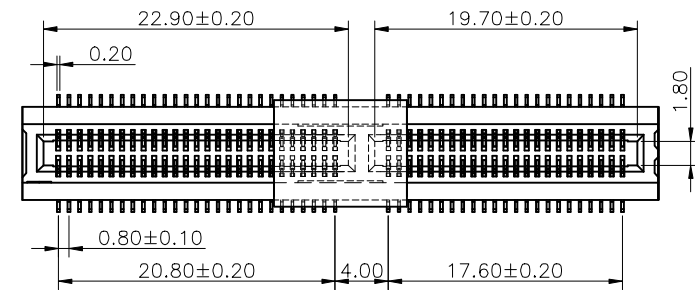


Specifications
 Current Rating:0.5Amp
 Insulation Resistance:1000MΩMin.
 Dielectric Withstanding Voltage:300VAC
 Contact Resistance:40mΩMax.
 Operating Temperature:-40°C to +105°C
Materials
 Contact Material:Phosphor Bronze
 Insulator Material:High Temperature Thermoplastic, UL 94V-0 LCP or the equivalent material
 All materials must meet Greennon hazardous substances control standards.



Ordering Information

XB-CLBC-203

Plastic specifications
 1=Single row
 2=Dual row
 3=Tripe row
 4=Quadruple

Water code

Positioning column information
 B=Round post

Plating code
 02=Gold Flash
 05=Gold Flash/Tin
 38=Gold 10u"/Matte Tin 100u"

Pin length
 See the drawing

Color
 1=Black
 2=White
 3=Yellow
 E=Beige

Packing code
 C=Tube
 D=Tape&Reel
 E=Cap+Tube
 F=Cap+Tape&Reel

No. of Pins per Row
 50

Contact Material
 A/S/K/T=Phosphor Bronze

Insulator Material
 C=LCP

东莞市溪榜电子有限公司
 DONG GUAN XI BANG ELECTRONICS CO., LTD.
 Switch Connector

REV. 01 UNIT. mm SCALE. 2:1 PAGE. 1/1

| GENERAL TOLERANCE | |
|-------------------|-----------|
| X.'±5.0' | X.±0.30 |
| .X'±3.0' | .X±0.25 |
| .XX'±2.0' | .XX±0.15 |
| .XXX'±1.0' | .XXX±0.10 |

| | |
|------------|-------|
| DESIGNED: | DATE: |
| CHECKED: | DATE: |
| CO SIGEND: | DATE: |
| APPROVED: | DATE: |

| | |
|----------|-------------|
| DWG. NO. | XB-CLBC-203 |
| PART NO. | XB-CLBC-203 |

| | |
|--------|--------------------------|
| TITLE. | 0.8mm PITCH PCI SMT TYPE |
|--------|--------------------------|