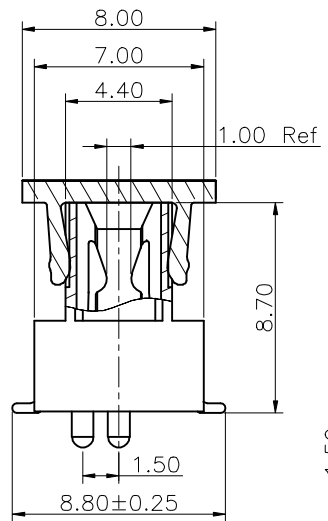
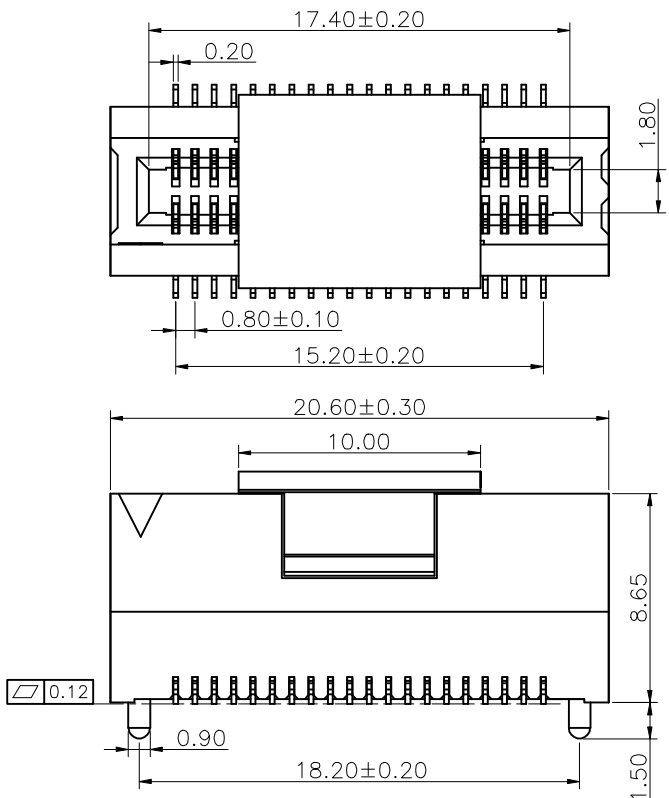
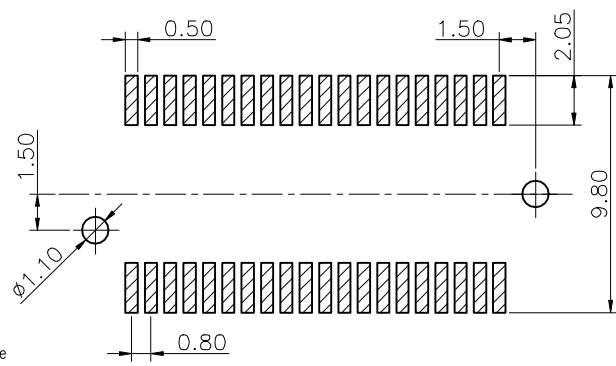


Specifications
 Current Rating:0.5Amp
 Insulation Resistance:1000MΩMin.
 Dielectric Withstanding Voltage:300VAC
 Contact Resistance:40mΩMax.
 Operating Temperature:-40°C to +105°C
Materials
 Contact Material:Phosphor Bronze
 Insulator Material:High Temperature Thermoplastic, UL 94V-0 LCP or the equivalent material
 All materials must meet Greenconn hazardous substances control standards.



Recommended P.C.Board Layout
 (Tolerance:±0.05)



Ordering Information

XB-CLBC-202

Plastic specifications
 1=Single row
 2=Dual row
 3=Tripe row
 4=Quadruple

Water code

Positioning column information
 B=Round post

Plating code
 02=Gold Flash
 05=Gold Flash/Tin
 38=Gold 10u"/Matte Tin 100u"

No. of Pins per Row
 20

Pin length
 See the drawing

Insulator Material
 C=LCP

Color
 1=Black
 2=White
 3=Yellow
 E=Beige

Contact Material
 A/S/K/T=Phosphor Bronze

Packing code
 C=Tube
 D=Tape&Reel
 E=Cap+Tube
 F=Cap+Tape&Reel

东莞市溪榜电子有限公司
 DONG GUAN XI BANG ELECTRONI CS CO., LTD.
 Switch Connector

REV.	UNIT.	SCALE.	PAGE.
01	mm	4:1	1/1

GENERAL TOLERANCE	
X.'±5.0'	X.±0.30
.X'±3.0'	.X±0.25
.XX'±2.0'	.XX±0.15
.XXX'±1.0'	.XXX±0.10

DESIGNED:	DATE:
CHECKED:	DATE:
CO SIGEND:	DATE:
APPROVED:	DATE:

DWG. NO.	XB-CLBC-202
PART NO.	
XB-CLBC-202	

TITLE.
0.8mm PITCH PCI SMT TYPE