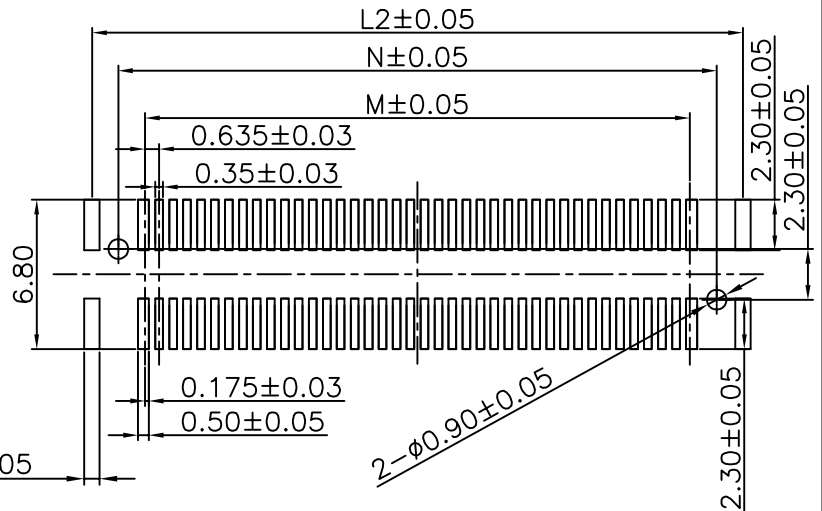
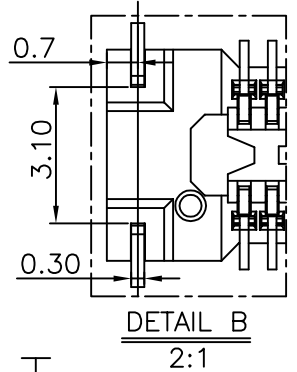
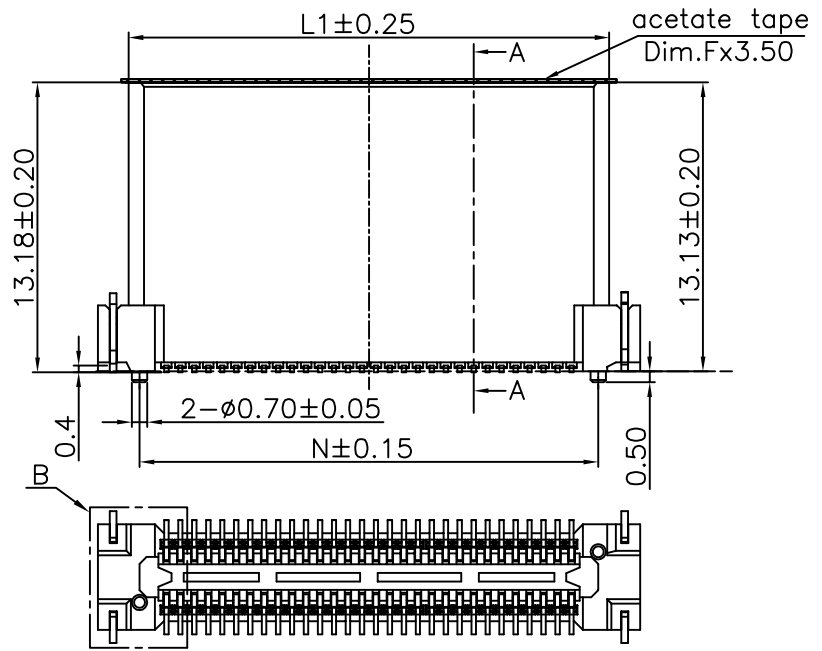


Specifications  
 Current Rating:0.5Amp  
 Insulation Resistance:500MΩMin.  
 Dielectric Withstanding Voltage:200VAC  
 Contact Resistance:100mΩMax.  
 Operating Temperature:-40°C to +105°C  
 Materials  
 Contact Material:Phosphor Bronze  
 Insulator Material:High Temperature Thermoplastic, UL 94V-0 LCP or the equivalent material  
 All materials must meet GREENCONN hazardous substances control standards.

No. of PIN/ROW	Dimension Information					
	L	L2	M	L1	N	F
2x30	24.65	23.25	18.42	21.85	20.85	22.50
2x40	31.00	29.60	24.77	28.20	27.20	28.80

Recommended P.C.Board Layout  
 (Tolerance:±0.05)



### Ordering Information

**XB-GGZC-201**

No. Of Pins Per Row: 30,40  
 Standard Plating: 02=Gold Flash, 09/N5=Au plating  
 Color: 1=Black  
 Standard Packing: H=Acetate tape +Tape&Reel

**东莞市溪榜电子有限公司**  
 DONG GUAN XI BANG ELECTRONICS CO., LTD.  
 Switch Connector

REV. B UNIT. mm SCALE. 3:1

3RD.ANG PROJ. PAGE. 1/1	GENERAL TOLERANCE	
	X.*±5.0°	X.±0.30
	.X*±3.0°	.X±0.25
	.XX*±2.0°	.XX±0.15
	.XXX*±1.0°	.XXX±0.10

DESIGNED:	DATE:
CHECKED:	DATE:
APPROVED:	DATE:

DWG. NO. XB-GGZC-201  
 PART NO. XB-GGZC-201

TITLE. 0.635mm PITCH BTB FLOATING CONNECTOR