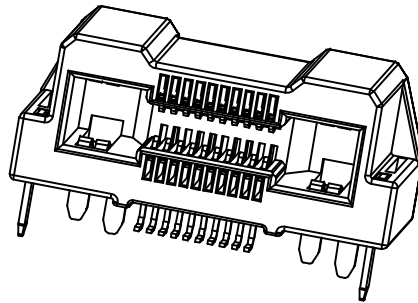


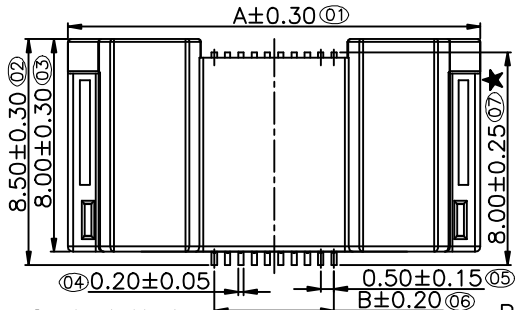
No. of contacts	Dimension Information				
	A	B	C	D	E
2x10	15.50	4.50	7.80	11.20	14.00
2x20	20.50	9.50	12.80	16.20	19.00
2x30	25.50	14.50	17.80	21.20	24.00
2x40	30.50	19.50	22.80	26.20	29.00
2x50	35.50	24.50	27.80	31.20	34.00
2x60	40.50	29.50	32.80	36.20	39.00



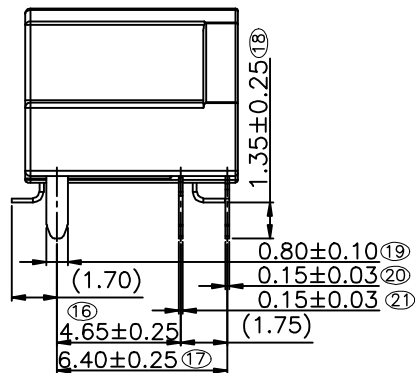
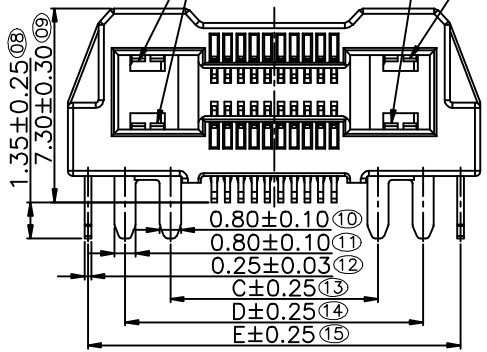
Specifications
 Current capacity:
 Signal contact:0.5A/pin. Power contact:3A/pin.
 Insulation Resistance:Signal part:100MΩ.Power part:1000MΩ.
 Dielectric Withstanding Voltage:
 Signal part:at AC 150V for 1 minute.Power part:at AC 600V for 1 minute.
 Contact Resistance:Signal part:70mΩ.Power part:20mΩ.
 Operating Temperature:-55°C to +105°C.

Materials
 Contact Material:Copper alloy.
 Insulator Material:High Temperature Thermoplastic, UL 94V-0 LCP or the equivalent material

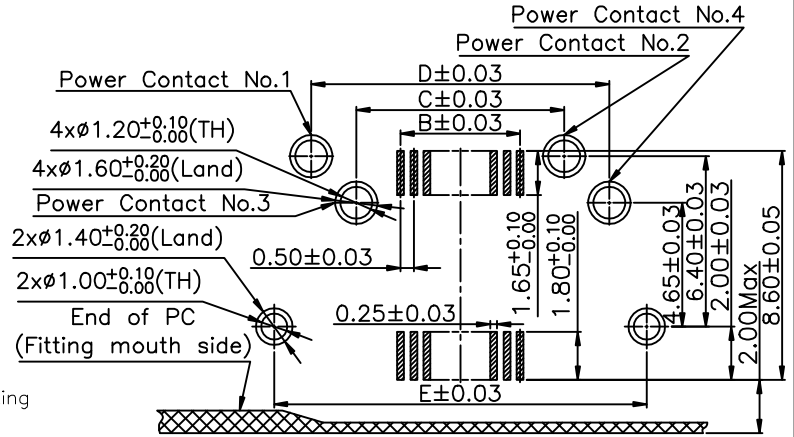
★ All materials must meet GREENCONN hazardous substances control standards.
 ★★: Critical Characteristics.
 indicates product characteristics, functionalities, and manufacturing processes regarding to customer's specifications
 ★★: Safety Features
 indicates product characteristics, functionalities, and manufacturing processes complying to legal regulations stated by local government



Power Contact No.1
 Power Contact No.3
 Power Contact No.4
 Power Contact No.2



Recommended P.C.Board Layout
 (Tolerance:±0.05)



Ordering Information

XB-CGAD-201-A001

No. of Pins per Row Standard Plating Insulator Material Color Contact Material Standard Packing
 10,20,30,40,50,60 02=Gold Flash C=LCP 1=Black G=Multiple materials D=Tape&Reel
 09=3u"AU/Gold Flash

东莞市溪榜电子有限公司
 DONG GUAN XI BANG ELECTRONICS CO., LTD.
 Switch Connector

3RD.ANG PROJ.
 PAGE. 1/1

GENERAL TOLERANCE	
X: ±5.0°	X: ±0.30
.X: ±3.0°	.X: ±0.25
.XX: ±2.0°	.XX: ±0.15
.XXX: ±1.0°	.XXX: ±0.10

DESIGNED:
 CHECKED:
 APPROVED:

DATE:
 DATE:
 DATE:

DWG. NO.
XB-CGAD-201-A001
 PART NO.
XB-CGAD-201-A001

TITLE.
**0.5mm PITCH
 BTB FLOATING
 CONNECTOR**