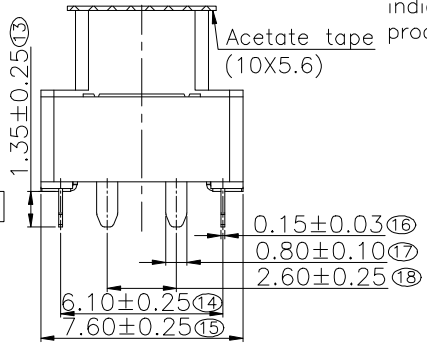
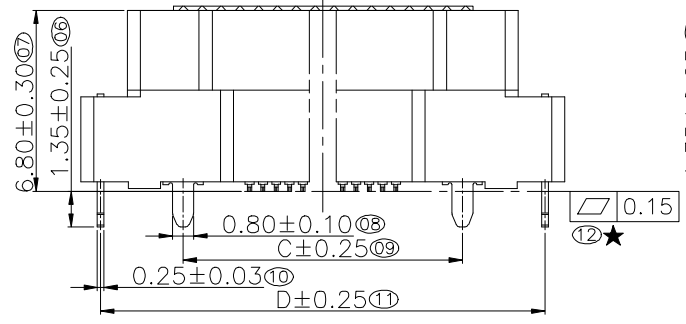
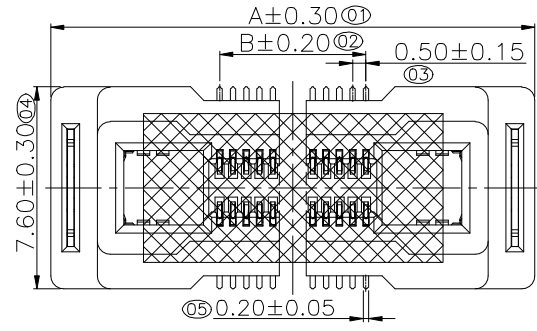
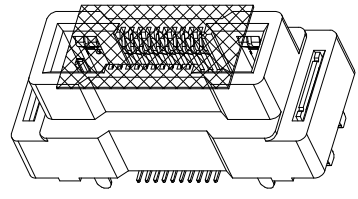
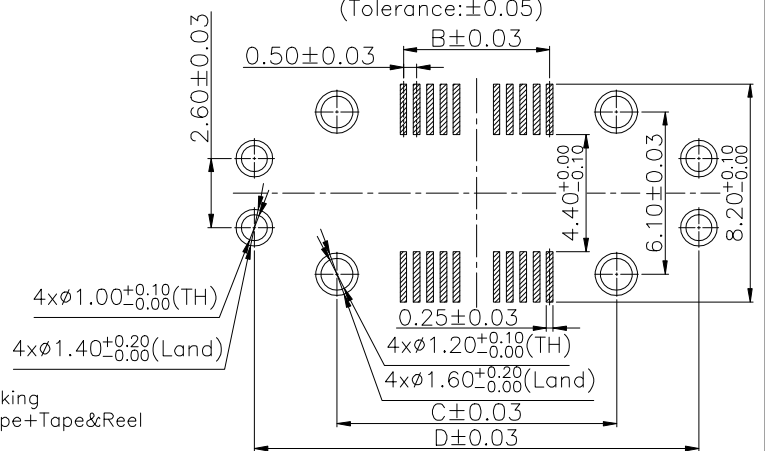


No. of contacts	Dimension Information			
	A	B	C	D
2x10	17.20	4.50	9.50	15.70
2x20	22.20	9.50	14.50	20.70
2x30	27.20	14.50	19.50	25.70
2x40	32.20	19.50	24.50	30.70
2x50	37.20	24.50	29.50	35.70
2x60	42.20	29.50	34.50	40.70



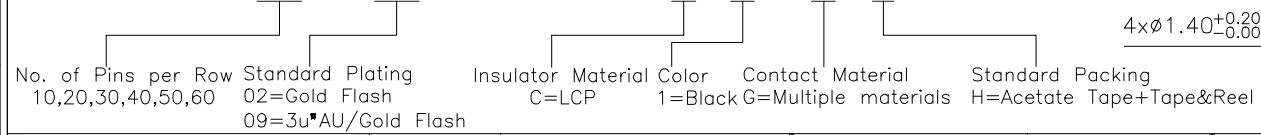
Specifications
 Current capacity:
 Signal contact:0.5A/pin. Power contact:3A/pin.
 Insulation Resistance:Signal part:100MΩ.Power part:1000MΩ.
 Dielectric Withstanding Voltage:
 Signal part:at AC 150V for 1 minute.Power part:at AC 600V for 1 minute.
 Contact Resistance:Signal part:70mΩ.Power part:20mΩ.
 Operating Temperature:-55°C to +105°C.
 Materials
 Contact Material:Copper alloy.
 Insulator Material:High Temperature Thermoplastic, UL 94V-0 LCP or the equivalent material
 ★ All materials must meet GREENCONN hazardous substances control standards.
 ★★: Critical Characteristics, indicates product characteristics, functionalities, and manufacturing processes regarding to customer's specifications
 ★☆: Safety Features indicates product characteristics, functionalities, and manufacturing processes complying to legal regulations stated by local government

Recommended P.C.Board Layout



Ordering Information

XB-CGAC-203-A001



东莞市溪榜电子有限公司
 DONG GUAN XI BANG ELECTRONICS CO., LTD.
 Switch Connector

3RD.ANG PROJ.		GENERAL TOLERANCE	
DESIGNED:	DATE:	X' ±5.0'	X ±0.30
		.X' ±3.0'	.X ±0.25
		.XX' ±2.0'	.XX ±0.15
		.XXX' ±1.0'	.XXX ±0.10

CHECKED:	DATE:
APPROVED:	DATE:

DWG. NO.
XB-CGAC-203-A001
 PART NO.
XB-CGAC-203-A001

TITLE:
0.5mm PITCH Female
BTB FLOATING
CONNECTOR Mating
H=20mm