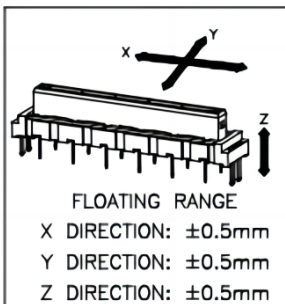
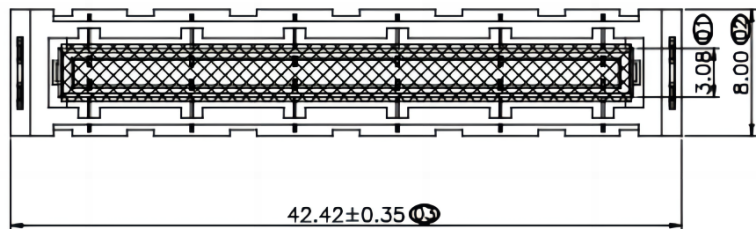
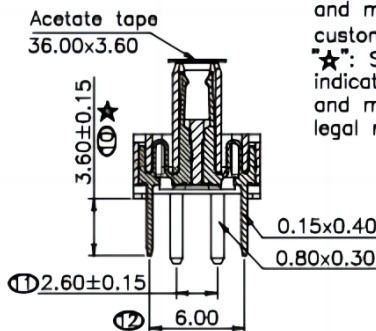
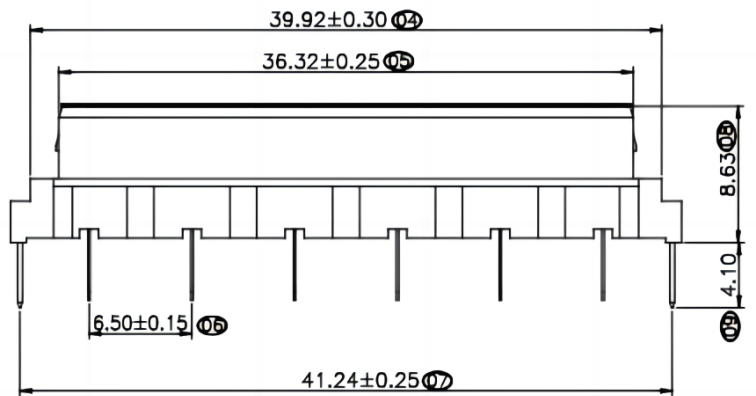


Greenconn P/N	Customer	Remarks
CBZZ201-0608A001C1SH	H135	Automotive Connector

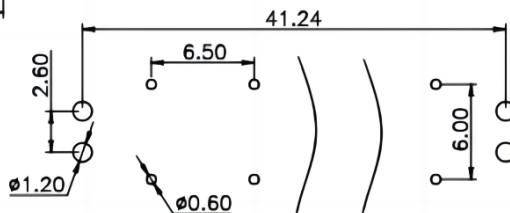


Specifications
 Current Rating:1.0Amp
 Insulation Resistance:500MΩMin.
 Dielectric Withstanding Voltage:250VAC
 Contact Resistance:100mΩMax.
 Operating Temperature:-40°C to +105°C
 Materials
 Contact Material:Phosphor Bronze
 Insulator Material:High Temperature Thermoplastic, UL 94V-0 LCP or the equivalent material
 ★All materials must meet GREENCONN hazardous substances control standards.



★: Critical Characteristics, indicates product characteristics, functionalities, and manufacturing processes regarding to customer's specifications
 ★: Safety Features, indicates product characteristics, functionalities, and manufacturing processes complying to legal regulations stated by local government

Recommended P.C.Board Layout (Tolerance:±0.05)



Ordering Information

C BZZ201 - 06 XX A 001 C 1 S X
 No. of Pins per Row 06
 Standard Plating 08=5u"gold on contact/
 gold flash on other area
 Color 1=Black
 H=Acetate tape+Tape&Reel

东莞市溪榜电子有限公司
 DONG GUAN XI BANG ELECTRONIC CO., LTD.

3RD.ANG PROJ.

 PAGE 1/1

GENERAL TOLERANCE	
X.*±5.0"	X.±0.30
.X.*±3.0"	.X.±0.25
.XX.*±2.0"	.XX.±0.15
.XXX.*±1.0"	.XXX.±0.10

DESIGNED:
 CHECKED:
 APPROVED:

DATE:
 DATE:
 DATE:

DWG. NO.
 XB-CBZZ-201
 PART NO.
 XB-CBZZ-201

TITLE.
 6.50mm PITCH FEMALE
 FLOATING CONNECTOR
 MATING H12.50mm