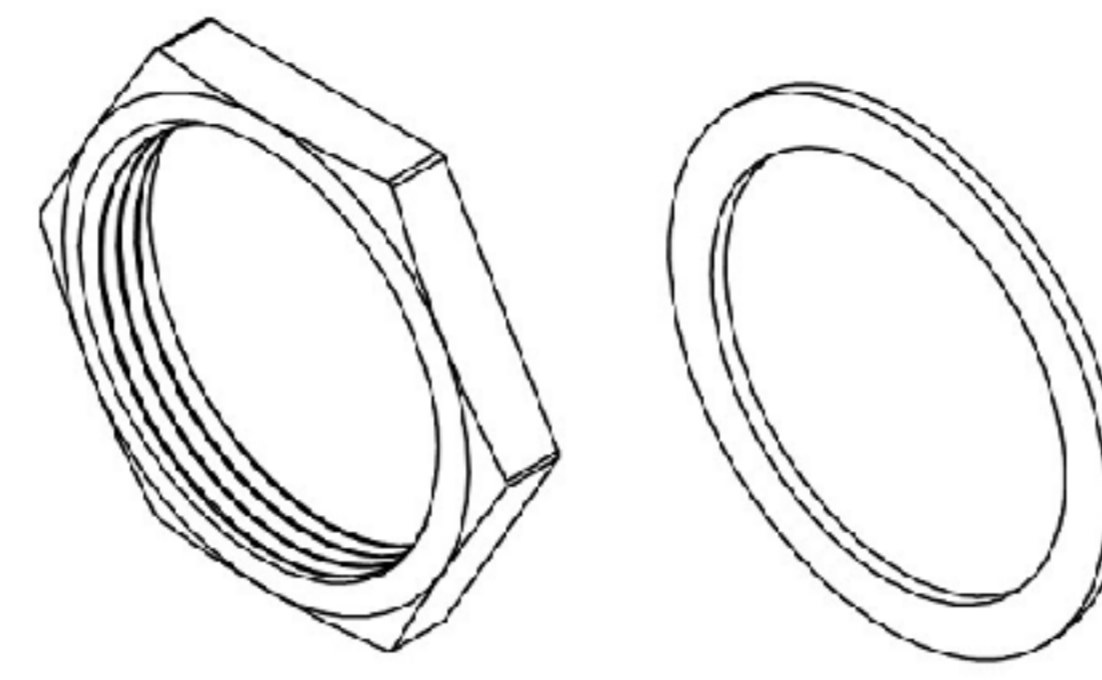
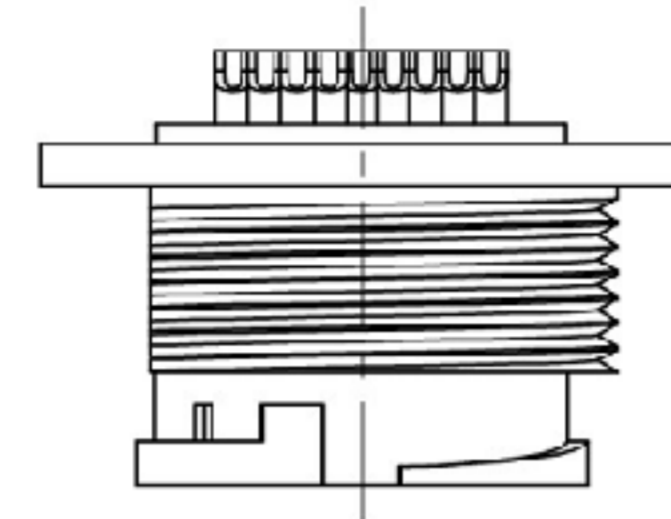
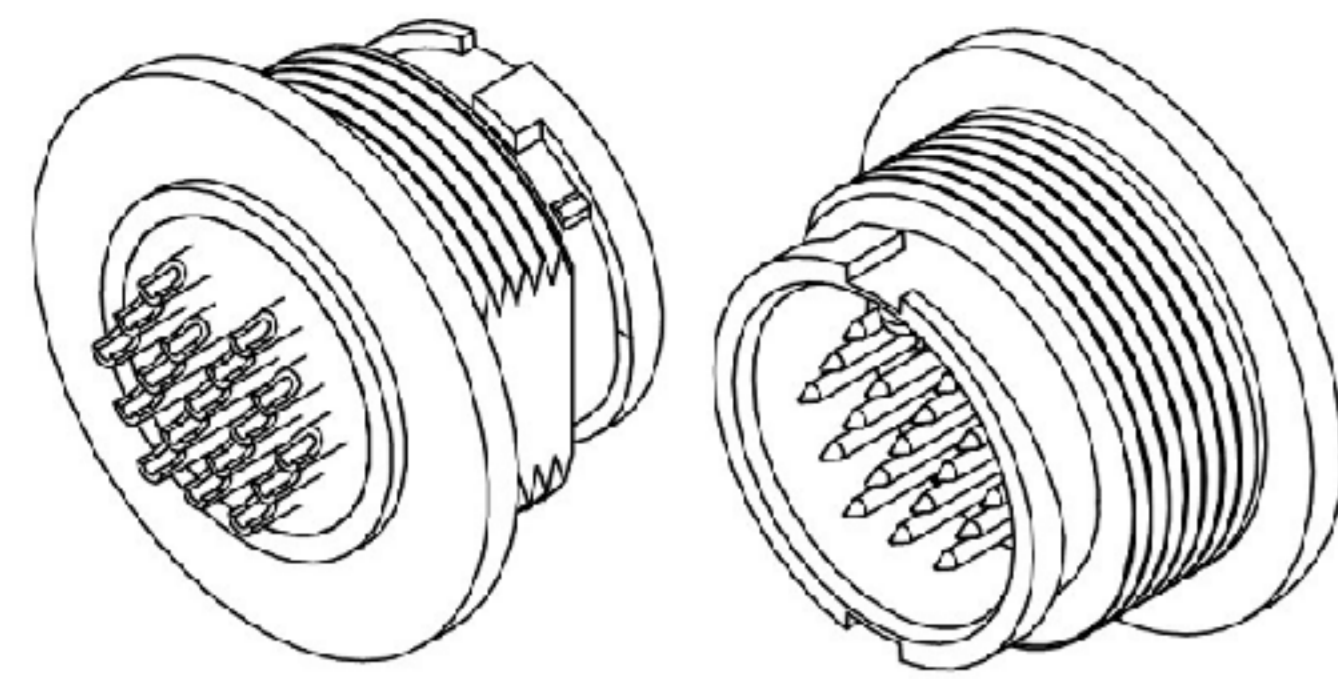


CAD FILE:

REV.	DESCRIPTION	DRAWN	DATE
1	INITIAL RELEASE	TIM	2020/06/10

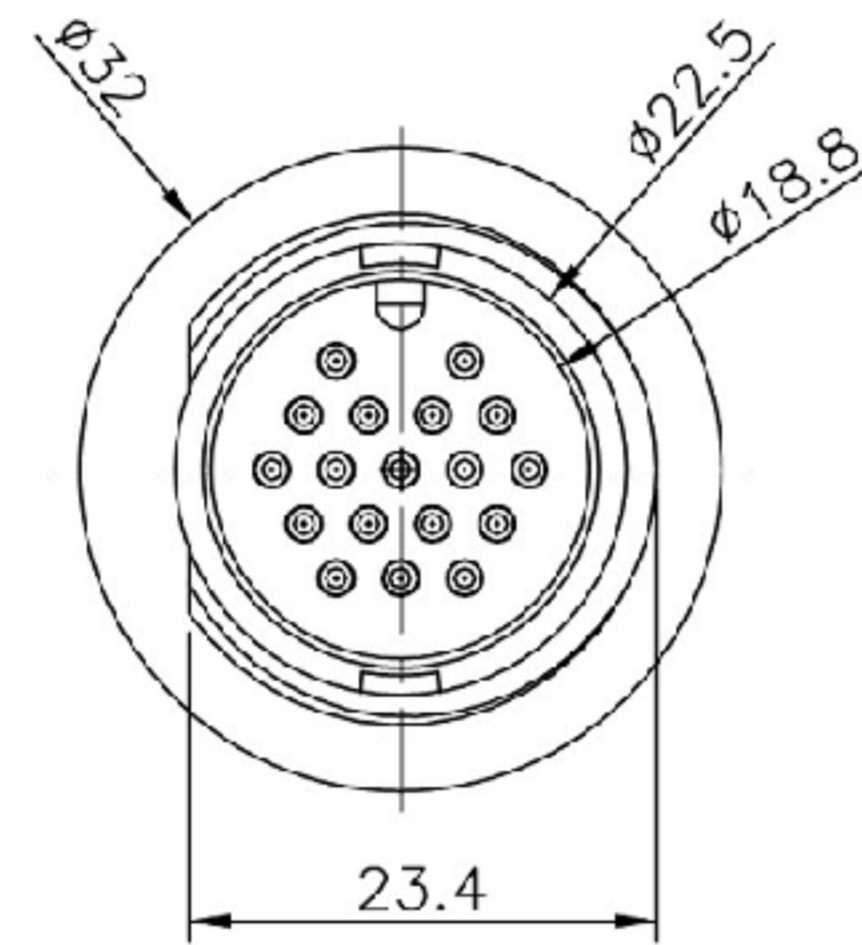
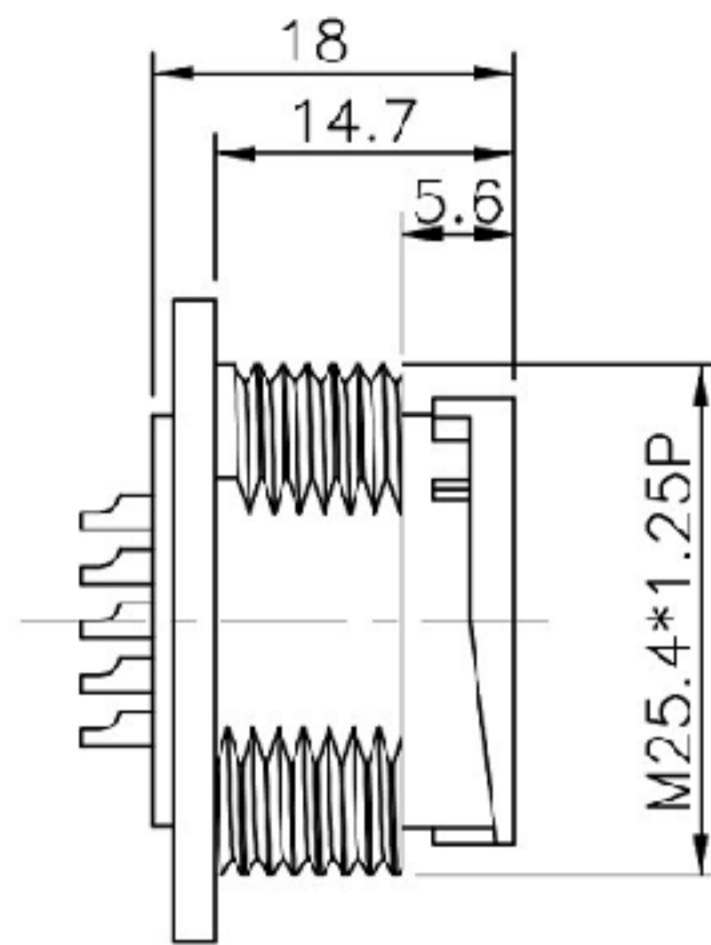
ROHS



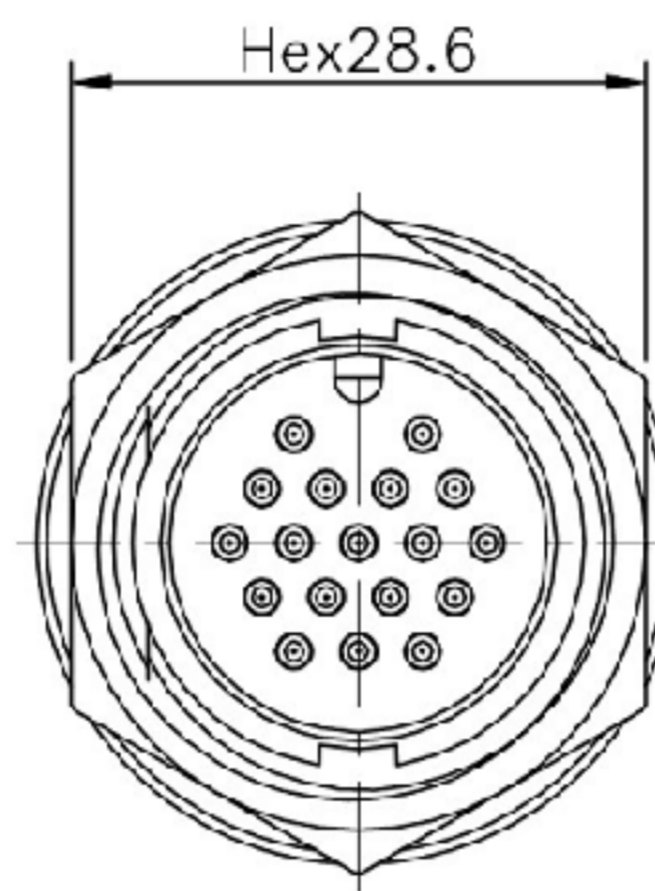
Nut
Gasket
Accessories

SPECIFICATION:

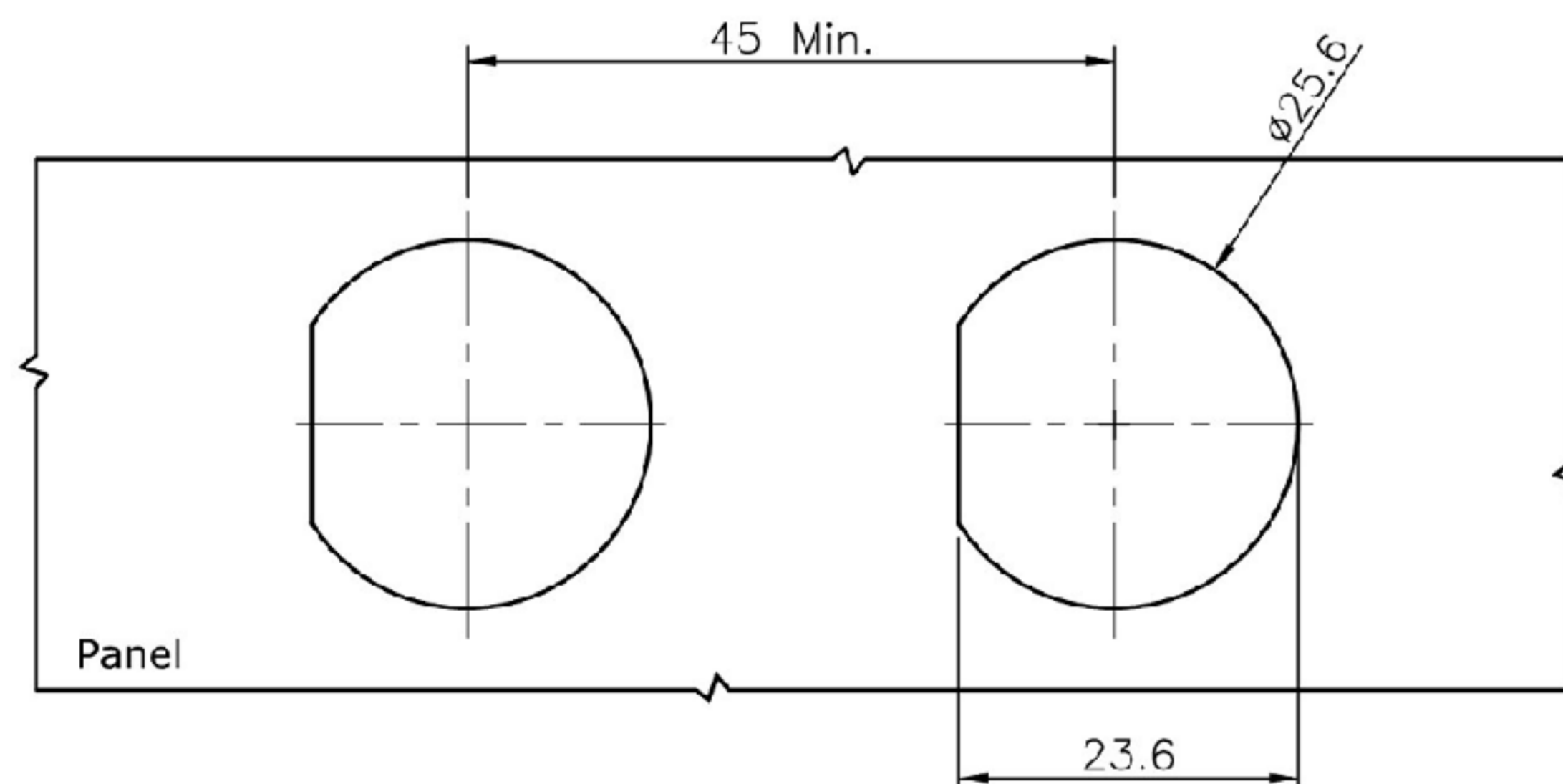
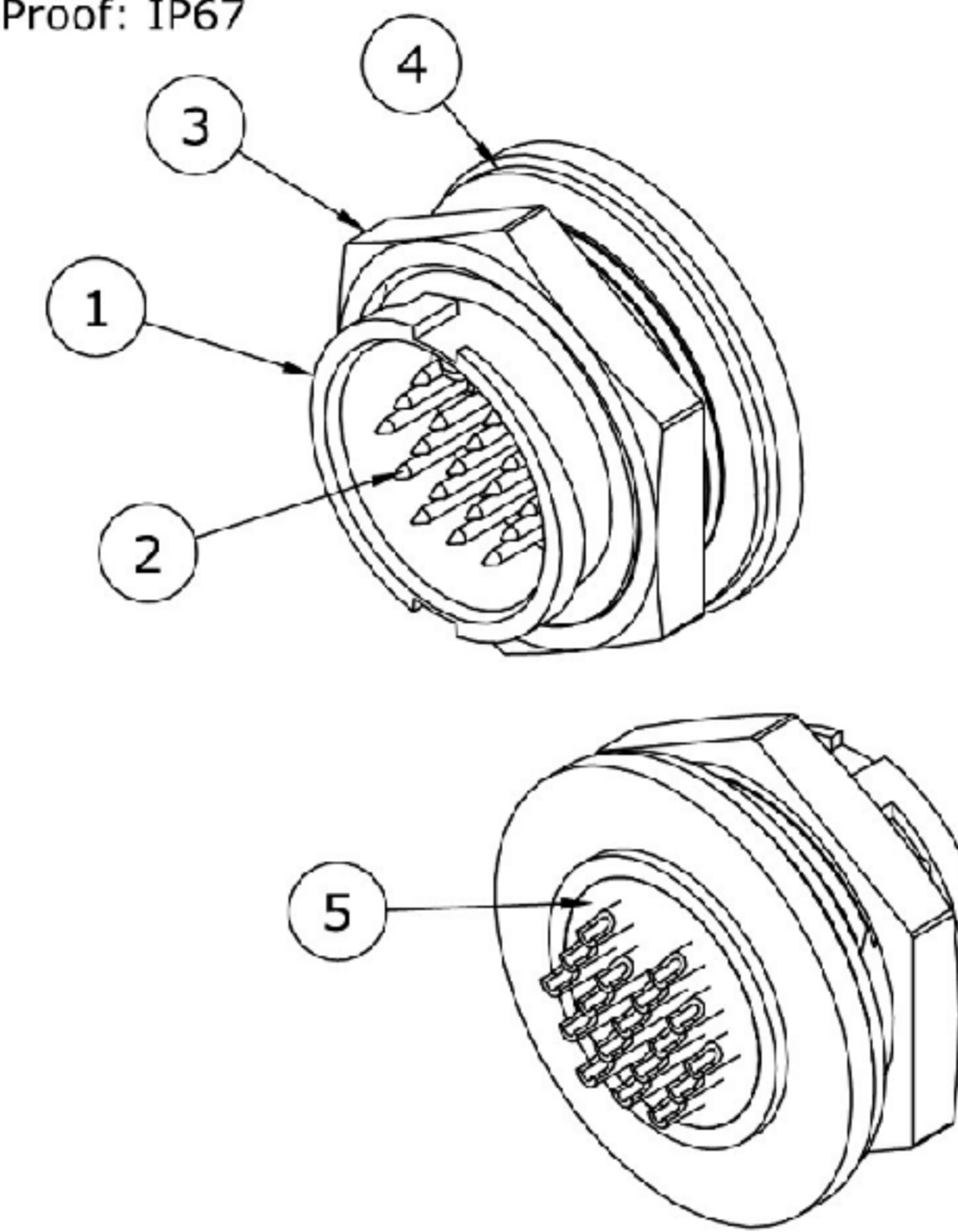
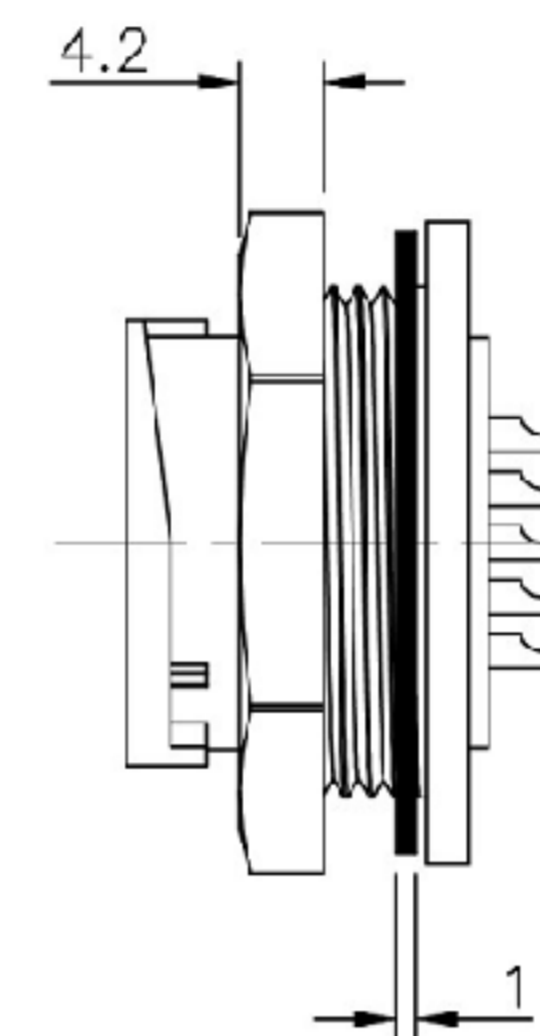
1. Current Rating: 2A/ 5A/ 20A per pin (see P2. table)
2. Contact Resistance: 10mΩ
3. Insulation Resistance: 100MΩ
4. Dielectric Withstanding Voltage: 500VAC
5. Durability: 1000 Cycle
6. Operating temperature range: -40°C~+85°C
7. Storage temperature range: -40°C~+85°C
8. Water Proof: IP67



Body



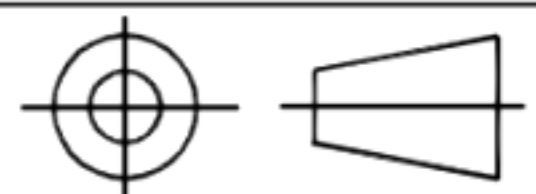
Assembly View



Recommend Panel Cut

5	GLUE	EPOXY
4	GASKET	Silicone, Gray
3	HEX NUT	PA66, UL94V-0, Black
2	CONTACT	Brass, 1u" Min. Gold Plating over Nickel
1	HOUSING	PA66, UL94V-0, Black
NO.	PART NAME	DESCRIPTION

NO.	PARTS	MATERIALS	Q'TY	FINISH							
8					TOLERANCE UNLESS SPECIFIED						
7											
6					WITHIN 1.5mm : ±0.1mm	A	2012-9-25	初版		ZENQ. CHEN	
5					OVER 1.5mm : ±0.2mm	ISSUE	DATE	DESCRIPTIONS OF REVISION		APPD.	
4	CONTACT	SUS	1	Ag CLAD	TITLE : 圆形连接器			UNIT : mm	DRWG NO.: XB-227D-SMM0		
3	CASE	PPA/BRASS SRTIP	1	BLACK/Ag PLATED	MODEL: Circular Connector			SCALE: 5:1	DWN.	JUN. YANG	2012-9-25
2	COVER	STEEL STRIP	1	Ni PLATED	东莞市溪榜电子有限公司 DONG GUAN XI BANG ELECTRONICS CO., LTD.			CHK'D	DONG. PANG	2012-9-25	
1	KNOB	PPA	1	BLACK				APPD.	ZENQ. CHEN	2012-9-25	



CAD FILE:

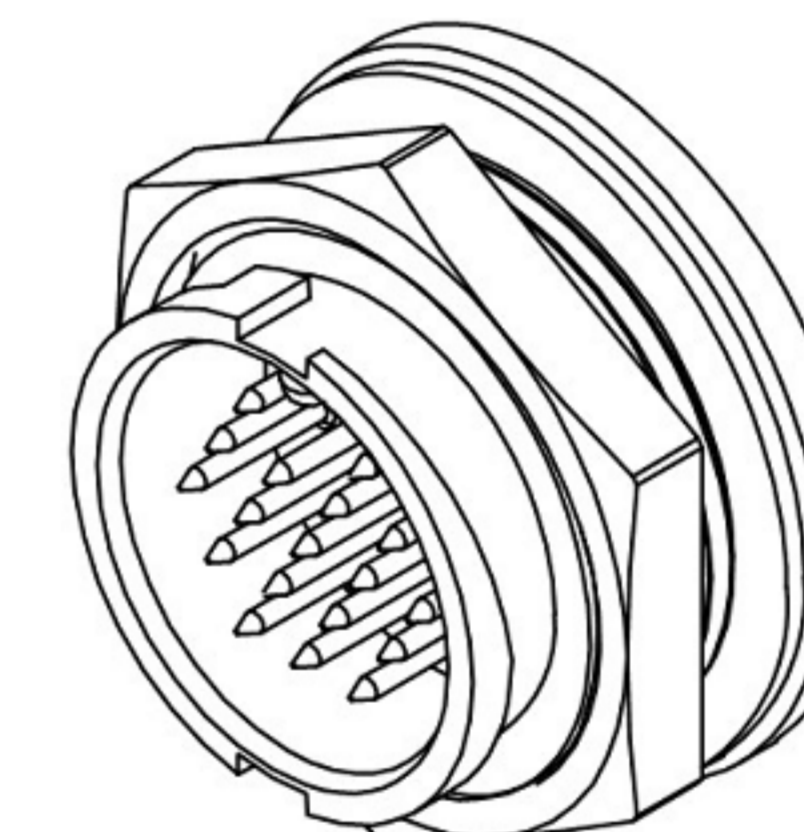
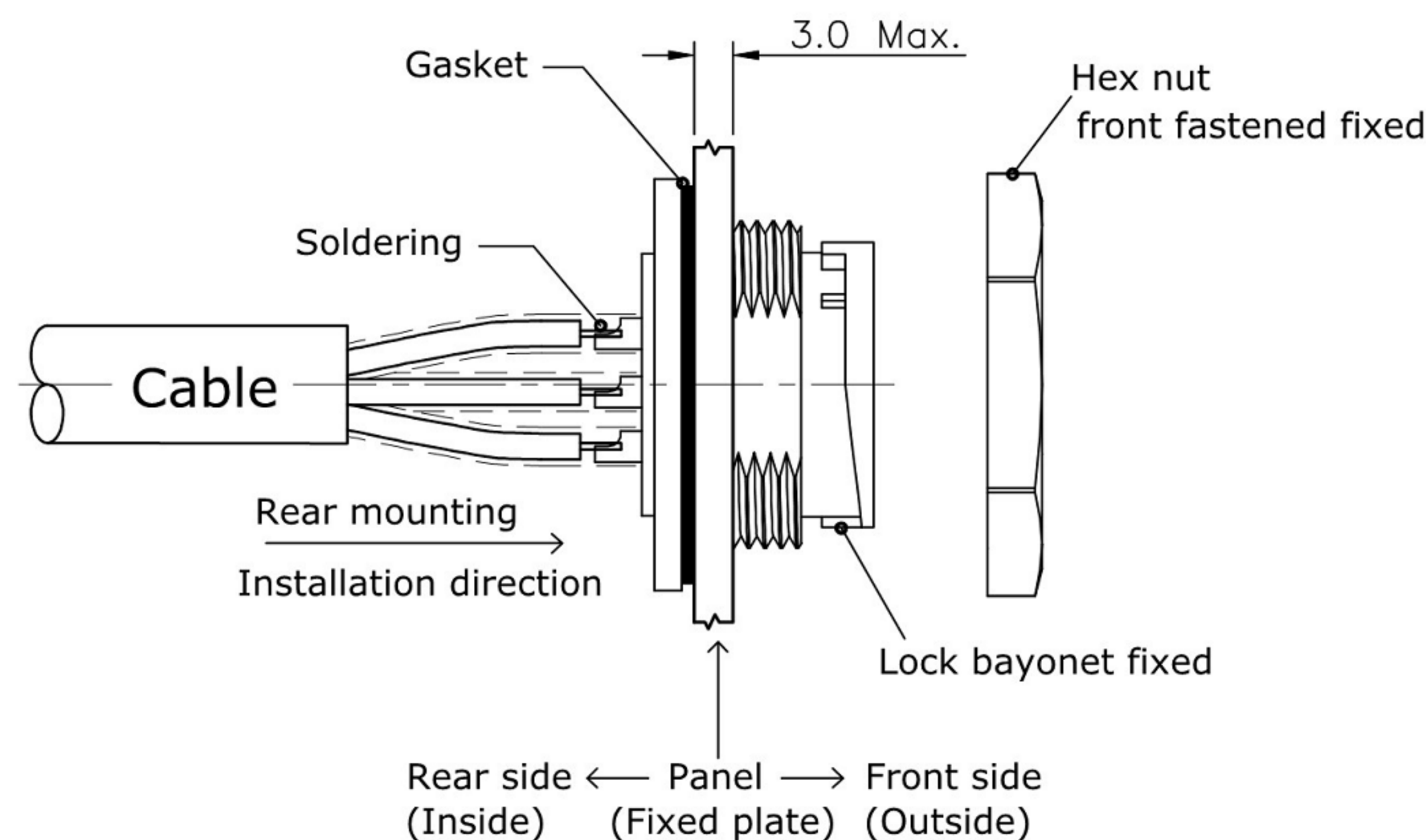
REV.	DESCRIPTION	DRAWN	DATE
	SEE SHEET ONE		

ROHS

TABLE: Pin Count/ Pin Assignment/ Current Rating/ Part Number

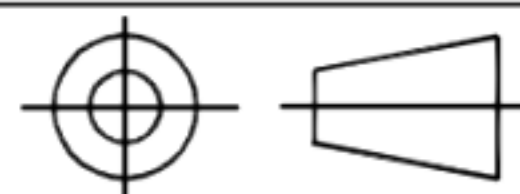
Part Number	227D-05M03	227D-07M02	227D-18M08	227D-20M01	227D-21M01	227D-22M01	227D-24M01
Pin Assignment							
Pin Count	5Pin	7Pin	18Pin	20Pin	21Pin	22Pin	24Pin
Current Rating	20A	20A	5A	2A	2A	2A	2A

Part Number	227D-25M01
Pin Assignment	
Pin Count	25Pin
Current Rating	2A



Drawing Number: 227D-SMM0
 Description: D size connector, panel fixed front fastened bayonet lock, male Socket male pin, solder bucket

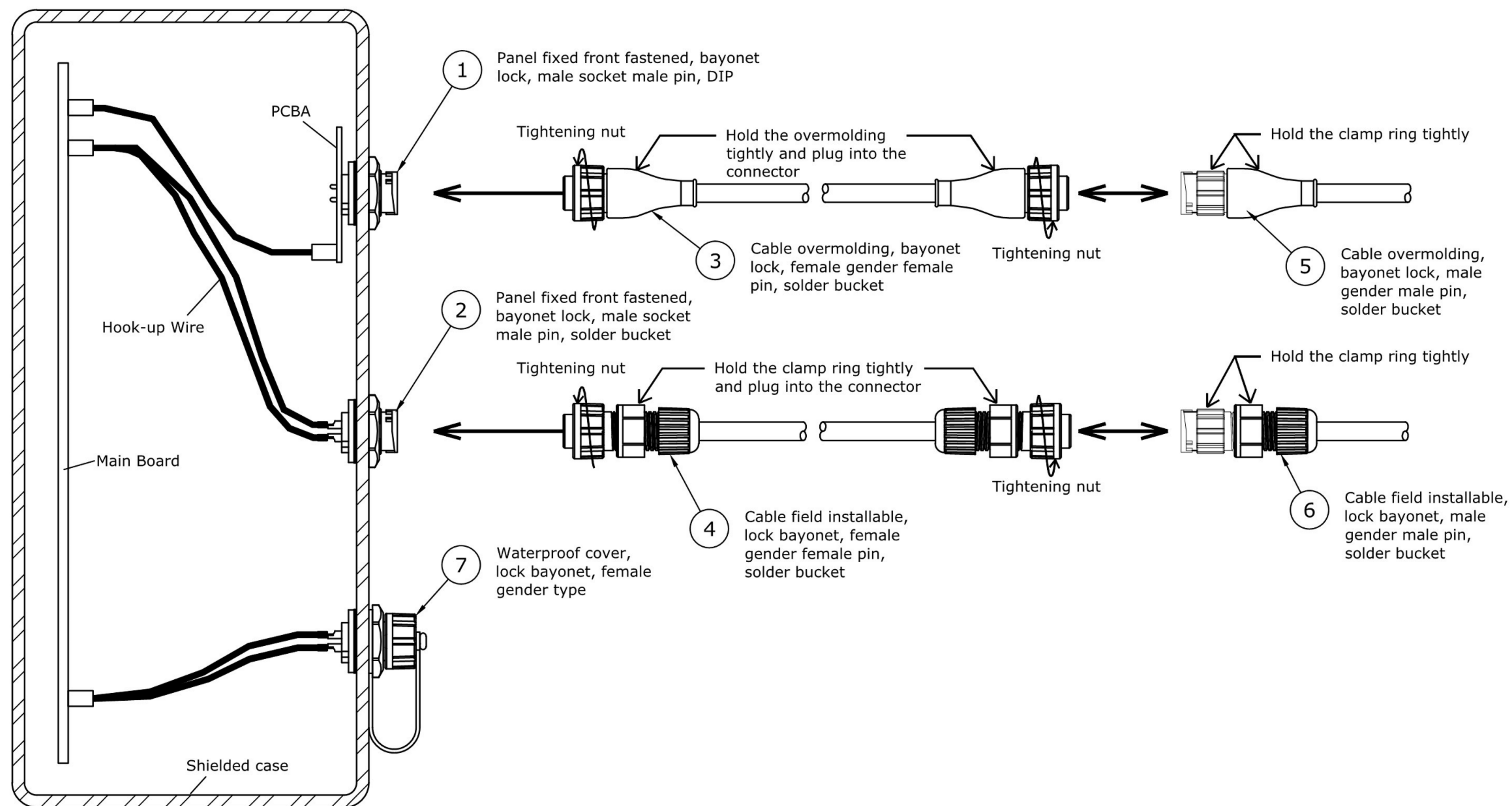
NO.	PARTS	MATERIALS	Q'TY	FINISH	TOLERANCE UNLESS SPECIFIED	ISSUE	DATE	DESCRIPTIONS OF REVISION	APPD.
8									
7									
6					WITHIN 1.5mm : ±0.1mm	A	2012-9-25	初版	ZENQ. CHEN
5					OVER 1.5mm : ±0.2mm	ISSUE	DATE	DESCRIPTIONS OF REVISION	APPD.
4	CONTACT	SUS	1	Ag CLAD	TITLE : 圆形连接器			UNIT : mm	DRWG NO.: XB-227D-SMM0
3	CASE	PPA/BRASS SRTIP	1	BLACK/Ag PLATED	MODEL: Circular Connector			SCALE: 5:1	DWN. JUN. YANG 2012-9-25
2	COVER	STEEL STRIP	1	Ni PLATED	东莞市溪榜电子有限公司 DONG GUAN XI BANG ELECTRONI CS CO., LTD.			CHK'D	DONG. PANG 2012-9-25
1	KNOB	PPA	1	BLACK				APPD.	ZENQ. CHEN 2012-9-25



CAD FILE:

REV.	DESCRIPTION	DRAWN	DATE
1	INITIAL RELEASE	TIM	2020/06/10

ROHS



NO.	PARTS	MATERIALS	Q'TY	FINISH	TOLERANCE UNLESS SPECIFIED					
8					TOLERANCE UNLESS SPECIFIED					
7					TOLERANCE UNLESS SPECIFIED					
6					WITHIN 1.5mm : ±0.1mm	A	2012-9-25	初版	ZENQ. CHEN	
5					OVER 1.5mm : ±0.2mm	ISSUE	DATE	DESCRIPTIONS OF REVISION	APPD.	
4	CONTACT	SUS	1	Ag CLAD	TITLE : 圆形连接器			UNIT : mm	DRWG NO.: XB-227D-SMM0	
3	CASE	PPA/BRASS SRTIP	1	BLACK/Ag PLATED	MODEL: Circular Connector			SCALE: 5:1	DWN.	JUN. YANG 2012-9-25
2	COVER	STEEL STRIP	1	Ni PLATED	东莞市溪榜电子有限公司 DONG GUAN XI BANG ELECTRONICS CO., LTD.			CHK'D	DONG. PANG	2012-9-25
1	KNOB	PPA	1	BLACK				APPD.	ZENQ. CHEN	2012-9-25