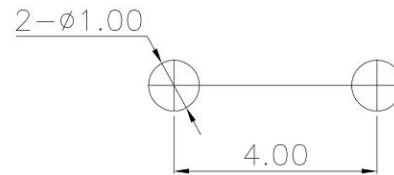
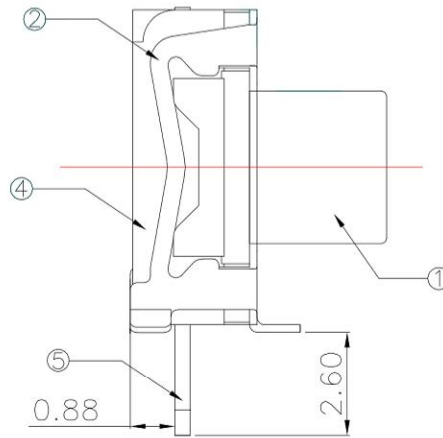
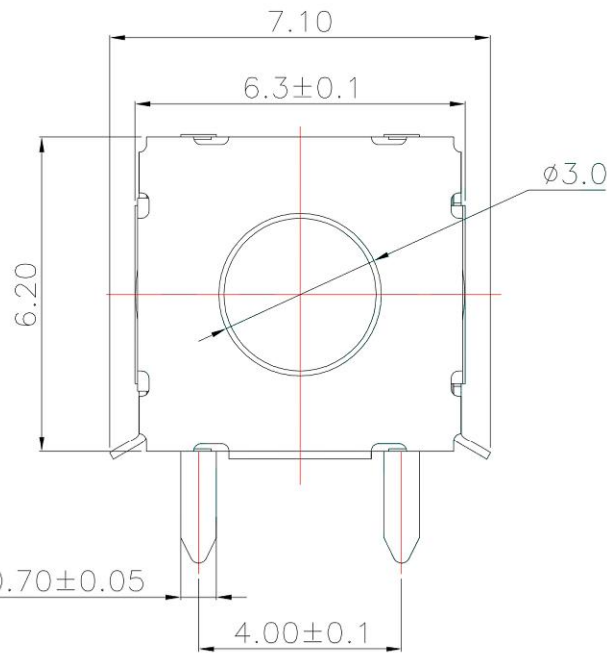
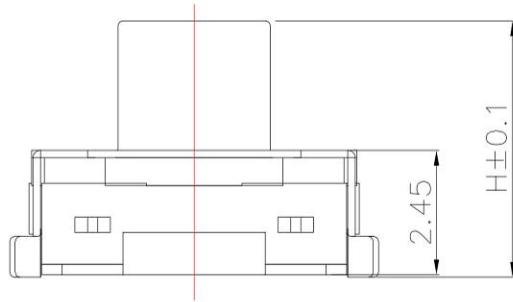
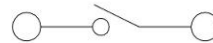


# ROHS



PCB Layout(Pattern Side)



Circuit diagram

NO.1	
PART NO	H
A	3.5
C	5

NO.2	
PART NO	vigor
3	180±30
4	250±30
5	350±50

NO.3	
PART NO	MATERIAL/QTY
S	SUS/1PC

NO.4-NO.5	
PART NO	NOTE
01~99	SERIAL NUMBER

Typical Specifications :  
 1. Rating : DC 12V 50mA  
 2. Life:1,000,000 Cycles Min

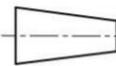
ITEM	PART NAME	TER'NO.	QTY.	MATERIAL	FINISHING	REMARK
⑤	Terminal	—	2	Brass(0.30t)	Plating silver	—
④	Base	—	1	PA6T	Black	—
③	Contact	—	1	F.Ag/SUS	—	—
②	Cover	—	1	SUS	—	—
①	Keystoke	—	1	Silica gel	Blue	—



东莞市溪榜电子有限公司  
 DONG GUAN XI BANG ELECTRONICS CO.,LTD

TITLE : XB TACT SWITCH

MODEL : XB-THEP18-026R



TOLERANCE  
 ≤1.5mm ± 0.1  
 > 1.5mm ± 0.2  
 >10.0mm ± 0.3

ANGLE TOL  
 ± 2°

UNIT	MM	DWN.	DATE
SCALE	5 : 1	CHK'D	DATE
VERSION	01	APPD.	DATE

8	REEL	PS	1	BLUE
7	CARRIER	PS	1	CLEAR
6	COVER TAPE	PS	1	CLEAR
5	CONTACT	PBS STRIP	1	Ag CLAD
4	COVER	IRON STRIP	1	Ni PLATED
3	CASE	NYLON	1	BLACK
2	TERMINAL	BRASS STRIP	2	Ag PLATED
1	KNOB	NYLON	1	BLACK
NO.	PART NAME	MATERIAL	QTY.	FINISHING