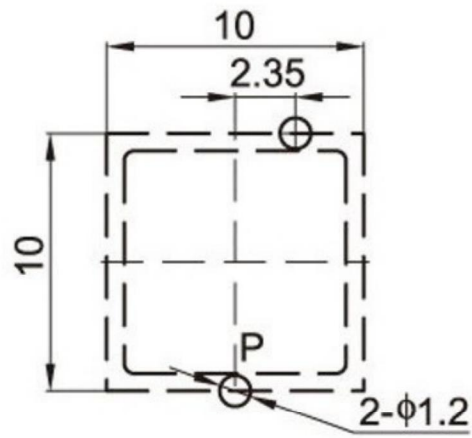
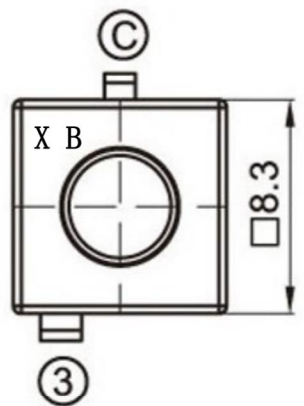
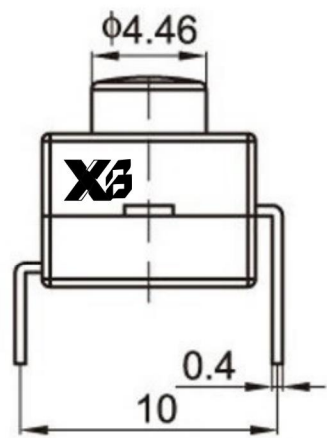
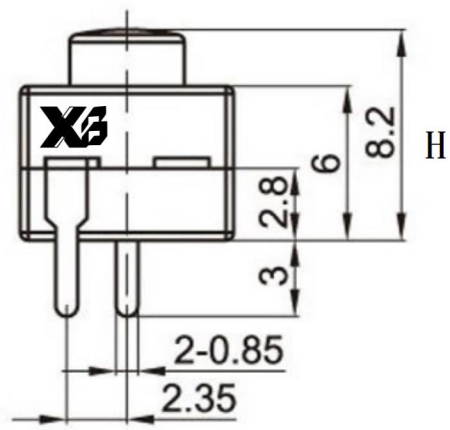


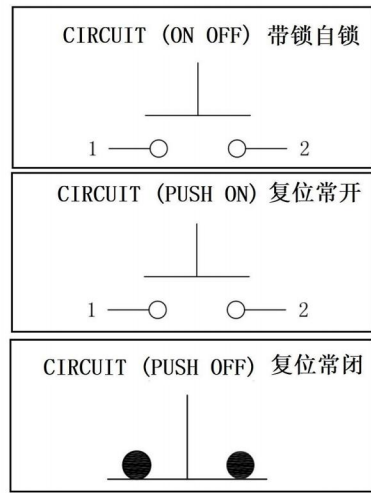
ROHS

尺寸
8.3
8.7
9
9.5
10
10.5
11.5
12.5
13.5



印制线路板
P.C.B

SCHEMATIC






电气原理图

MATERIAL:
 Actuator: SUS ;
 Top Base: SUS;
 Bottom Base: PA66+GF ;
 Terminal: Brass, Silver plated ;
 Nut: Brass, Ni plated .

- 技术要求:
1. 电气性能
 额定负荷: 1A 250V AC 1E4;
 接触电阻: $\leq 100m\Omega$;
 绝缘电阻: $\geq 100M\Omega$;
 介电强度: $\geq 500VAC/1min$;
 2. 环境温度: $-25^{\circ}C \sim 75^{\circ}C$;
 3. 相对湿度: $\leq 95\%$ ($40^{\circ}C$) ;
 4. 操作力: $800 \pm 200g$;
 5. 未注公差均按GB / T1804-m级。

The material contained in this drawing is the property of XiBang. Any use other than that specifically authorized by XiBang is prohibited. The above drawing is subjected to change for improvement without prior notice.

 东莞市溪榜电子有限公司 DONG GUAN XI BANG ELECTRONICS CO., LTD								
					TITLE : PUHS BUTTON SWITCH			
MODEL : XB-YT-8301-X-FW								
UNIT : MM	DWN.	ZENQ. CHEN	DATE		TOLERANCE	ANGLE		
SCALE : 3 : 1	CHK'D	PENG. GAO	DATE		$\leq 1.5mm \pm 0.1$	$\pm 2^{\circ}$		
VERSION	01	APPD.	FEI. LONG. HE	DATE	$> 1.5mm \pm 0.2$			
					$> 10mm \pm 0.3$			
					NO.	PART NAME	MATERIAL	QTY. FINISHING
					7	SPRING	STEEL WIRE	1 NATURE
					6	STEEL BALL	STEEL	1 NATURE
					5	BOARD	PHENOLIC RESIN	1 NATURE
					4	CONTACT CLIP	PBS STRIP	2 Ag PLATED
					3	FRAME	IRON STRIP	1 Ni PLATED
					2	TERMINAL	BRASS STRIP	8 Ag PLATED
					1	KNOB	POM	1 BLACK