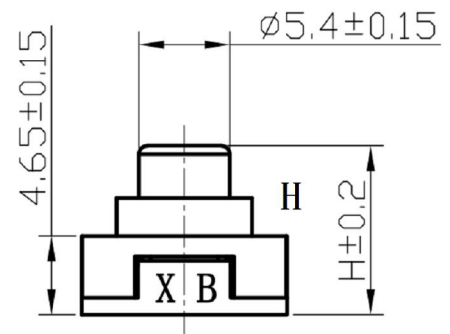
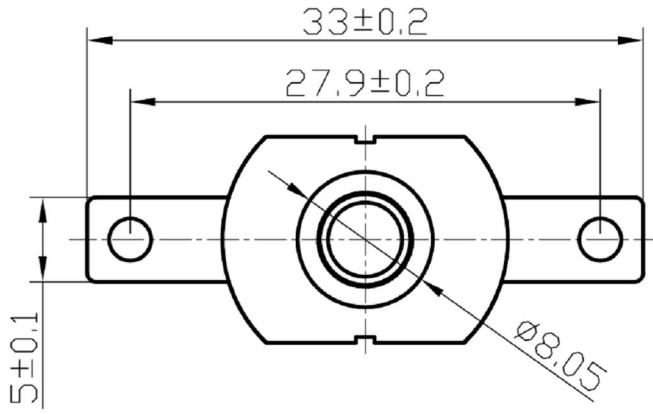
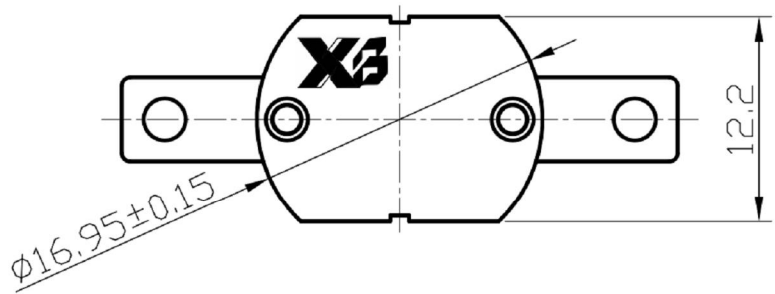
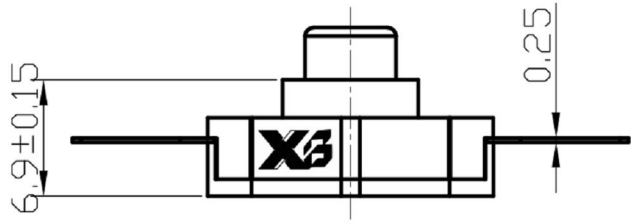
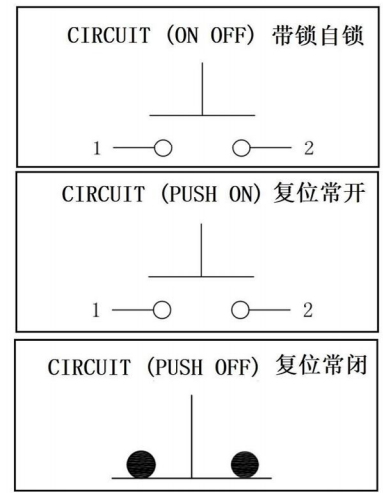


| |
|------|
| H尺寸 |
| 9.5 |
| 9.8 |
| 10 |
| 10.5 |
| 11 |
| 12 |
| 13 |
| 14 |
| 15 |



SCHEMATIC



电气原理图

技术要求:

1. 电气性能
 额定负荷: 1A 250V AC 1E4;
 接触电阻: ≤100mΩ;
 绝缘电阻: ≥100MΩ;
 介电强度: ≥500VAC/1min;
2. 环境温度: -15℃~75℃;
3. 相对湿度: ≤95% (40℃);
4. 操作力: 650±200g;
5. 未注公差均按GB / T1804-m级。

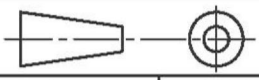
MATERIAL:
 Actuator: SUS ;
 Top Base: SUS;
 Buttom Base: PA66+GF ;
 Terminal: Brass, Silver plated ;
 Nut: Brass, Ni plated .

The material contained in this drawing is the property of XiBang. Any use other than that specifically authorized by XiBang is prohibited. The above drawing IS subjected to change for improvement without prior notice.



东莞市溪榜电子有限公司
 DONG GUAN XI BANG ELECTRONICS CO., LTD

TITLE : PUHS BUTTON SWITCH
 MODEL : XB-YT-1702-FW



| | | | | | | |
|---------------|-------|------------|---------------|------|-------------|-------|
| UNIT : MM | DWN. | ZENQ. CHEN | DATE | | TOLERANCE | ANGLE |
| SCALE : 3 : 1 | CHK'D | PENG. GAO | DATE | | <=1.5mm±0.1 | ±2° |
| VBRSION | 01 | APPD. | FEI. LONG. HE | DATE | > 1.5mm±0.2 | |
| | | | | | >=10mm±0.3 | |

| | | | | |
|-----|--------------|----------------|------|-----------|
| 7 | SPRING | STEEL WIRE | 1 | NATURE |
| 6 | STEEL BALL | STEEL | 1 | NATURE |
| 5 | BOARD | PHENOLIC RESIN | 1 | NATURE |
| 4 | CONTACT CLIP | PBS STRIP | 2 | Ag PLATED |
| 3 | FRAME | IRON STRIP | 1 | Ni PLATED |
| 2 | TERMINAL | BRASS STRIP | 8 | Ag PLATED |
| 1 | KNOB | POM | 1 | BLACK |
| NO. | PART NAME | MATERIAL | QTY. | FINISHING |