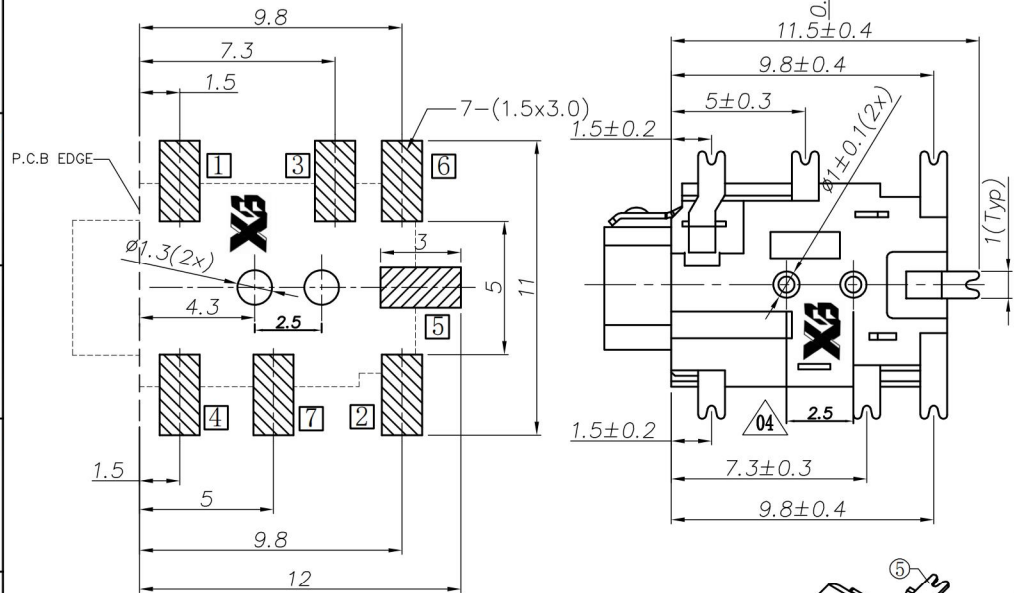
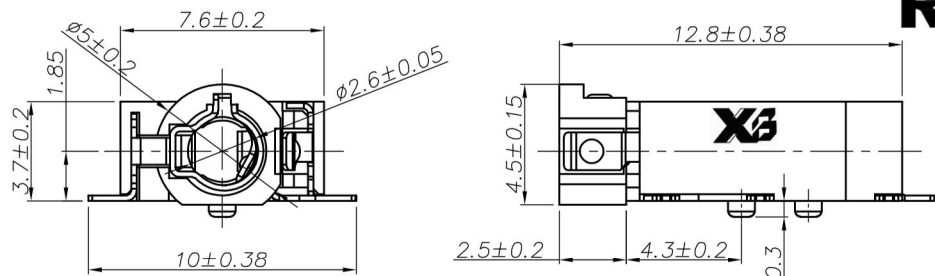


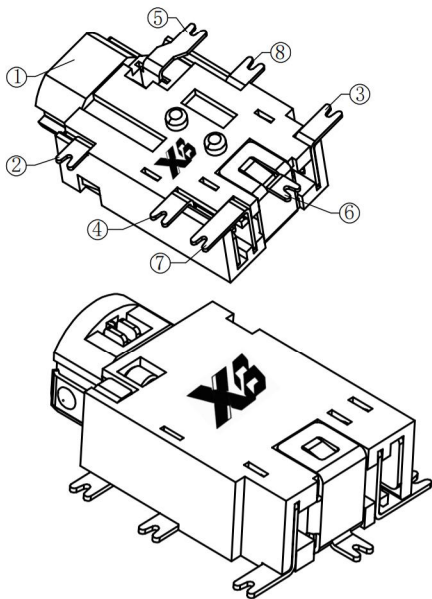
# ROHS



RECOMMENDED P.C.B. LAYOUT  
UNSPECIFIED TOLERANCE:  $\pm 0.05$   
(COPPER-SIDED VIEW)

### Specification:

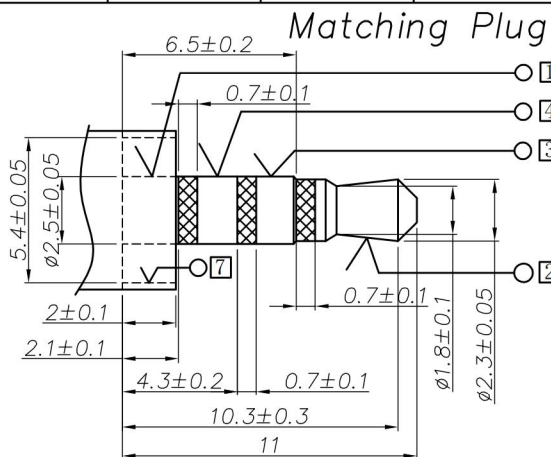
1. Rating : DC 30V 0.5A;
2. Contact resistance:  $\leq 30m\Omega$ ;  
After test:  $\leq 50m\Omega$
3. Insulation resistance:  $\geq 100M\Omega$  (500VDC);  
After test:  $\geq 50M\Omega$
4. Withstand voltage: 500VAC ;
5. Insertion and extraction force: 3N~30N;
6. life test: 5000cycles min;
7. Operation temperature range:  $-20^{\circ}C \sim 70^{\circ}C$ ;
8. Preservation temperature range:  $-40^{\circ}C \sim 85^{\circ}C$ ;



修正标记 REV. LTR.	描述 DESCRIPTION	签名 SIGN	日期 DATE
02	依客人PLUG规格, 变更弹片尺寸	Daniel	2020.03.21
03	修改7#端子结构	Daniel	2020.10.10
04	塑胶增加定位柱	Daniel	2021.02.25

Model No.	PJ20510-U (PJ-251)	PJ20510-R (PJ-251-1)	PJ20510-W (PJ-251-2)	PJ20510-K (PJ-251-3)
Schematic code				
Model No.	PJ20510-I	PJ20510-J	PJ20510-M	
Schematic code				

Ordering information:  
XB-PJ20510 -  10  0A  G  00  1  
(1) (2) (3) (4) (5) (6) (7)  
(1): Series No.  
(2): Schematic option:  
U, R, W, K, I, J, M  
(3): Material of housing:  
10=PAIOT  
(4): Housing color:  
Zero → 0A=Black  
(5): Terminal plating:  
G=Gold (Au)  
(6): Special option:  
0N=No special option  
(7): Packing mode:  
4=Bag packing



8	Earth terminal	7	1	Phosphor bronze	0.2t	PJ20510-07	Gold Plating
7	Shunt terminal	6	1	Phosphor bronze	0.2t	PJ20510-06	Gold Plating
6	Shunt terminal	5	1	Phosphor bronze	0.2t	PJ20510-05	Gold Plating
5	Ring spring	4	1	Phosphor bronze	0.2t	PJ20510-04	Gold Plating
4	Ring spring	3	1	Phosphor bronze	0.2t	PJ20510-03	Gold Plating
3	Tip spring	2	1	Phosphor bronze	0.2t	PJ20510-02	Gold Plating
2	Earth spring	1	1	Phosphor bronze	0.2t	PJ20510-01	Gold Plating
1	Housing		1	High temperature plastic		PJ20510-S1	Black
NO.	DESCRIPTION	QTY	MATERIAL	PART NO.	REMARK		
UNIT: MM		TYPE: $\phi 2.5$ PHONE JACK		MODEL NO: XB-PJ20510-9T0AG001		PAPER NO: A4	
						PAGE 1 OF 1	
						TOLERANCE	ANGLES
						$\pm 0.3$	$\pm 2'$
						SCALE	VER
						N/A	04
DESIGNER BY: Michael		2010.11.05					
CHECK BY:							
APPROVED BY:							

**XB** 东莞市溪榜电子有限公司  
Switch Connector DONG GUAN XI BANG ELECTRONICS CO., LTD