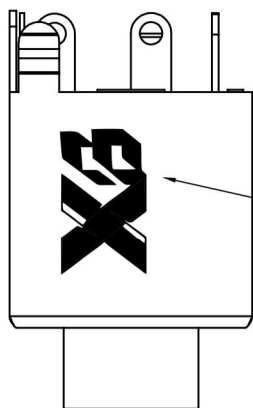
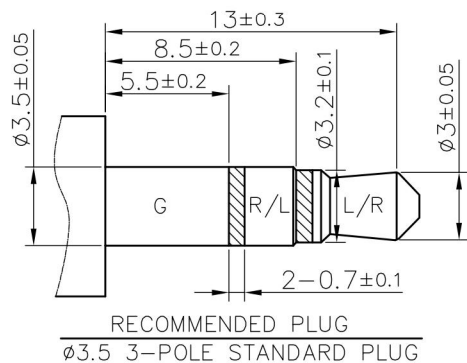
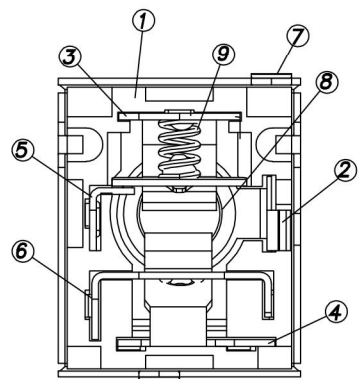
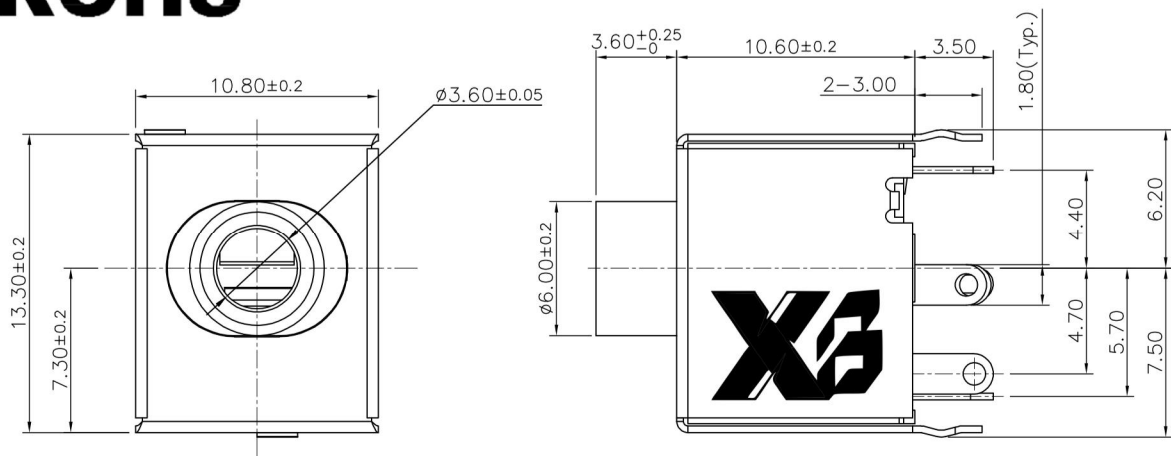


# ROHS



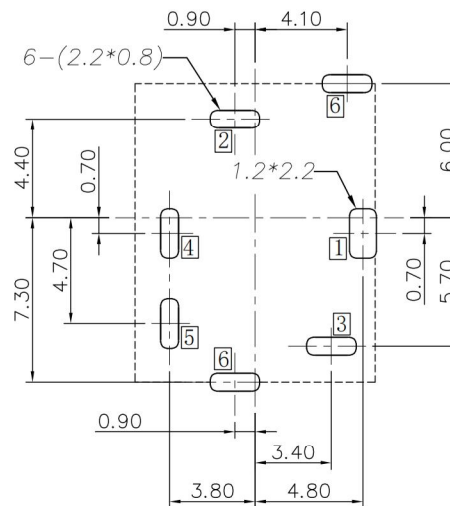
TOP view

DATE CODE:  
 YY MM DD  
 Date  
 Month  
 Year

△ DATE CODE

- Specification:
- Rating : DC 30V 0.5A.
  - Contact resistance:  $\leq 30m\Omega$ .  
After life test:  $\leq 50m\Omega$ .
  - Insulation resistance:  $\geq 100M\Omega$  (500VDC).  
After life test:  $\geq 50M\Omega$ .
  - Withstand voltage: 500VAC.
  - Insertion and extraction force: 3N~30N.  
life test: 5000cycles min.
  - Operation temperature range:  $-20^{\circ}C \sim 70^{\circ}C$ .
  - Preservative temperature range:  $-40^{\circ}C \sim 85^{\circ}C$ .

REV.	Q' TY	ECN. NO.	REASON&CONTENTS	SIGN	DATE
△1	X1		Add D/C.		2017.09.26
△2	X1		Add only one spring specification.		2018.04.16



PCB HOLES(BOTTOM VIEW) t=1.2mm  
 NOTE: GENERAL TOLERANCE:  $\pm 0.05mm$

Model No.	PJ3054F-A	PJ3054F-B	PJ3054F-D
Schematic			

- Ordering information:  
 XB-PJ3054F-□ PB □□ S □□ □  
 (1) (2) (3) (4) (5) (6) (7)
- Series No.
  - Schematic option: A, B, D
  - Material of housing:  
PB=PBT
  - Housing color:  
0A=Black (Standard)  
1A=Brown (0256)=PBT4815  
2L=Red (701C=XH1186)=PBT4815  
2R=Red (0046=XH1033)=PBT4815  
5F=Green (0389)=PBT4815  
5U=Green (577C=XH1185)=PBT4815  
6A=Blue (0011=XH1178)=PBT4815  
9A=White (0100=XH1013)=PBT4815
  - Terminal plating  
S=Silver (Ag)
  - Special option:  
00=No special option  
0H=HALOGEN FREE  
D0=Need to D/C  
N0=Only one spring is used for 3# shrapnel
  - Packing mode:  
3=Plastic box packing  
4=Bag packing

⑨	Spring	2	Stainless steel	
⑧	Bushing	1	Copper alloy	Ni 50u"
⑦	Metal cover	⑥ 1	Brass t=0.30	Ni 50u"
⑥	Shunt terminal	⑤ 1	Brass t=0.30	Silver 8u"; Ni 50u" underplated
⑤	Ring spring	④ 1	Brass t=0.30	
④	Ring spring	③ 1	Phosphor bronze t=0.30	
③	Tip spring	② 1	Phosphor bronze t=0.30	
②	Earth spring	① 1	Brass t=0.30	
①	Housing	1	PBT UL94V-0	See "Ordering infor"

NO.	DESCRIPTION	QTY	MATERIAL	REMARK

THIS DOCUMENT IS THE SOLE PROPERTY OF XI BANG ELECTRONICS CO., LTD. AND SHOULD NOT BE USED IN WHOLE OR IN PART WITHOUT PRIOR WRITTEN PERMISSION.	UNIT:MM	TOLERANCE	TYPE:	MODEL NO:	DRAWING TYPE:	
		DIMENSIONS: .X $\pm 0.38$ , .XX $\pm 0.30$ , .XXX $\pm 0.15$ ; ANGLES: X $\pm 5^{\circ}$ , .X $\pm 3^{\circ}$ , .XX $\pm 2^{\circ}$	$\phi 3.5$ PHONE JACK	XB-PJ3054F-_PB_ _S	CUSTOMER DRAWING	
DESIGNER BY:	CHECK BY:	APPROVED BY:	DRAWING No:	SCALE:	VER.:	PAGE:
			XB-PJ-0000-0335	N/A	A2	1/1

**XB 东莞市溪榜电子有限公司**  
 Switch Connector DONG GUAN XI BANG ELECTRONICS CO., LTD