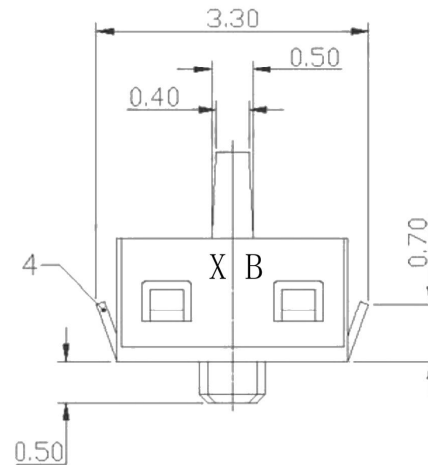
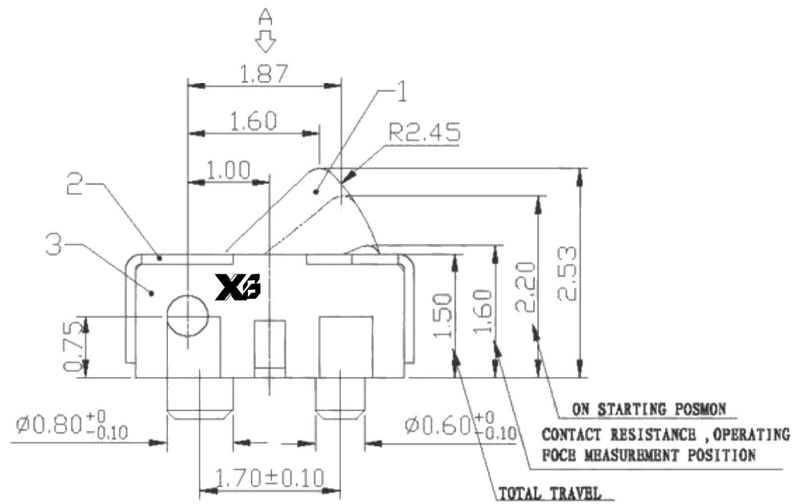
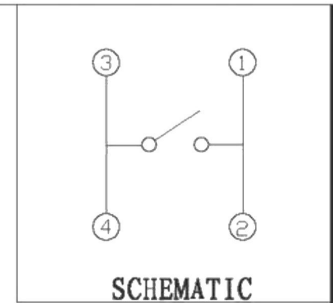


P.C.B HOLE LAYOUT



东莞市溪榜电子有限公司
DONG GUAN XI BANG ELECTRONICS CO., LTD

TITLE : MICRO SWITCH

MODEL : MX-132 (Y042)



TOLERANCE
≤1.5mm ±0.1
>1.5mm ±0.2

ANGLE TOL
±2°

UNIT : MM	DWN.	DATE
SCALE : 12 : 1	CHK'D	DATE
VERSION	01	APPD.
		DATE

NO.	PART NAME	MATERIAL	QTY.	FINISHING
5	SPRING	PBS STRIP	1	Ag PLATED
4	TERMINAL	PBS STRIP	1	Ag PLATED
3	CASE	LCP	1	BLACK
2	COVER	SUS	1	NATURAL
1	KNOB	LCP	1	BLACK