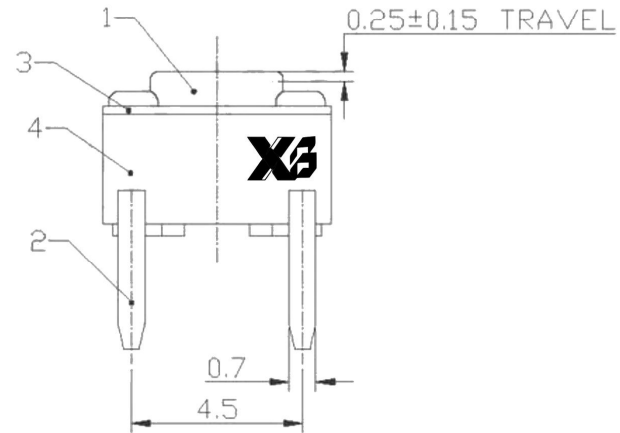
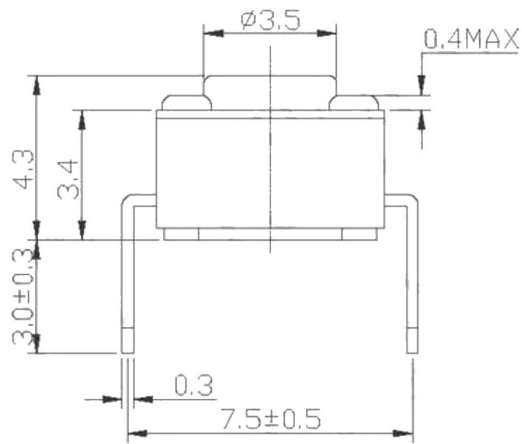
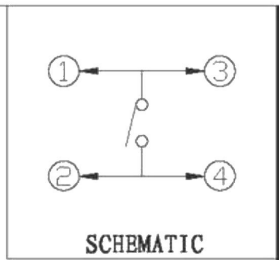
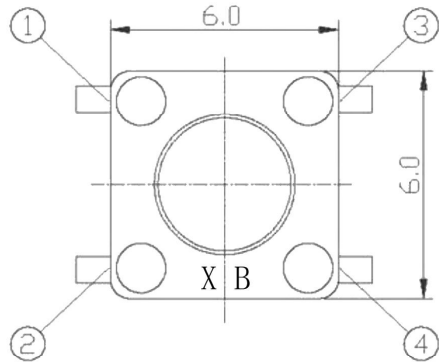


ROHS



东莞市溪榜电子有限公司
DONG GUAN XI BANG ELECTRONICS CO., LTD

TITLE : TACT SWITCH

MODEL : TC-0123 (W227)



TOLERANCE
>1.5mm±0.1mm
≥1.5mm±0.2mm

ANGLE TOL
±2°

| | | |
|---------------|-------|-------|
| UNIT : MM | DWN. | DATE |
| SCALE : 5 : 1 | CHK'D | DATE |
| VERSION | 01 | APPD. |
| | | DATE |

| NO. | PART NAME | MATERIAL | QTY. | FINISHING |
|-----|-----------|-------------|------|-----------|
| 5 | CONTACT | PBS STRIP | 1 | Ag CLAD |
| 4 | CASE | NYLON | 1 | BLACK |
| 3 | COVER | IRON STRIP | 1 | NI PLATED |
| 2 | TERMINAL | BRASS STRIP | 4 | Ag PLATED |
| 1 | KNOB | NYLON | 1 | BLACK |