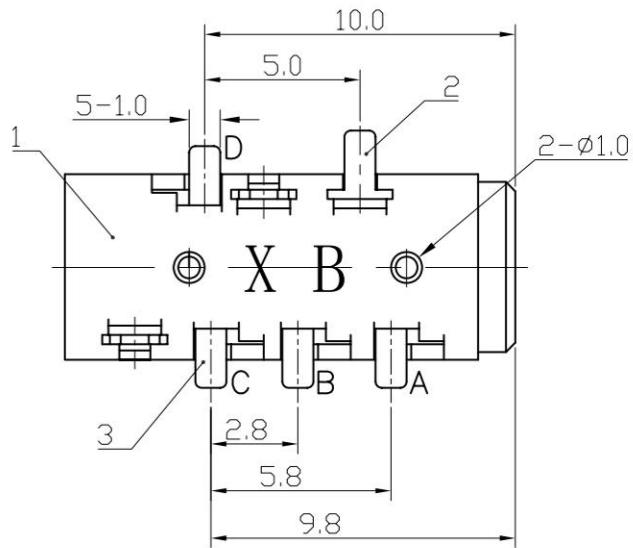
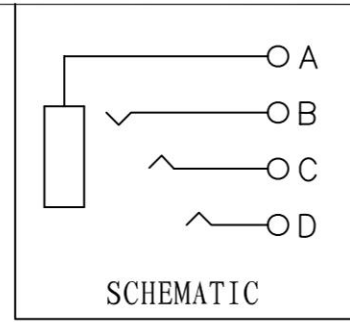
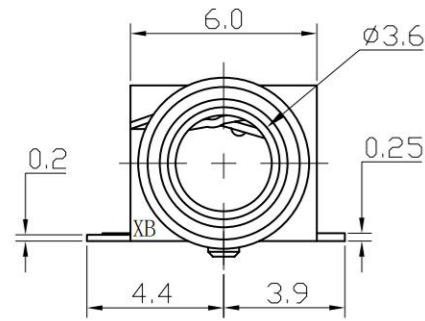
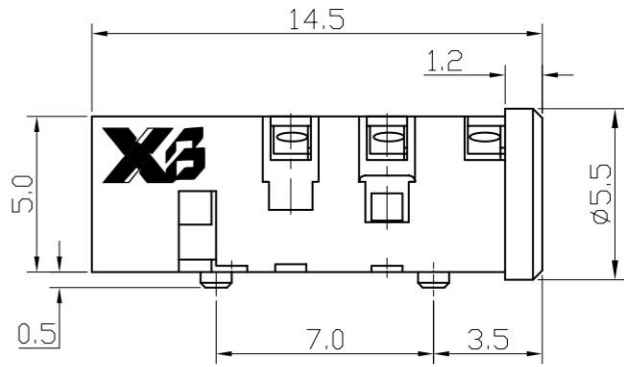

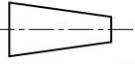



ROHS



		东莞市溪榜电子有限公司 DONG GUAN XI BANG ELECTRONICS CO., LTD							
		TITLE : PHONE JACK MODEL : ST-401 (W01009)							
UNIT : MM	DWN.	DATE	TOLERANCE	ANGLE	3	TERMINAL	PBS STRIP THK=0.25mm	4	Ag PLATED
SCALE : 4 : 1	CHK'D	DATE	$\leq 1.5\text{mm} \pm 0.1\text{mm}$	$\pm 2^\circ$	2	TERMINAL	PBS STRIP THK=0.2mm	1	Ag PLATED
VERSION 01	APPD.	DATE	> 1.5mm ± 0.2mm		1	CASE	NYLON	1	BLACK
					NO.	PART NAME	MATERIAL	QTY	FINISHING