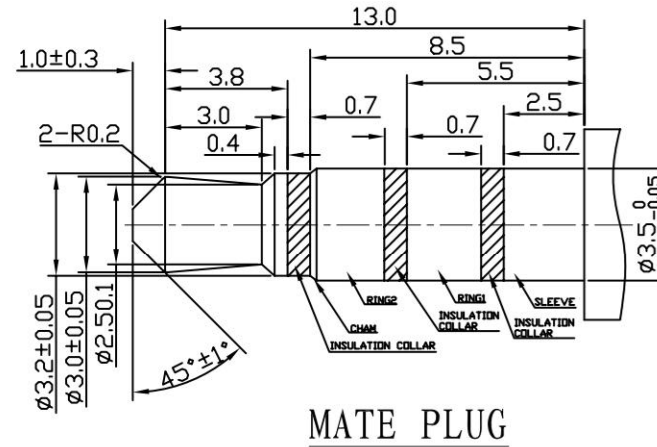
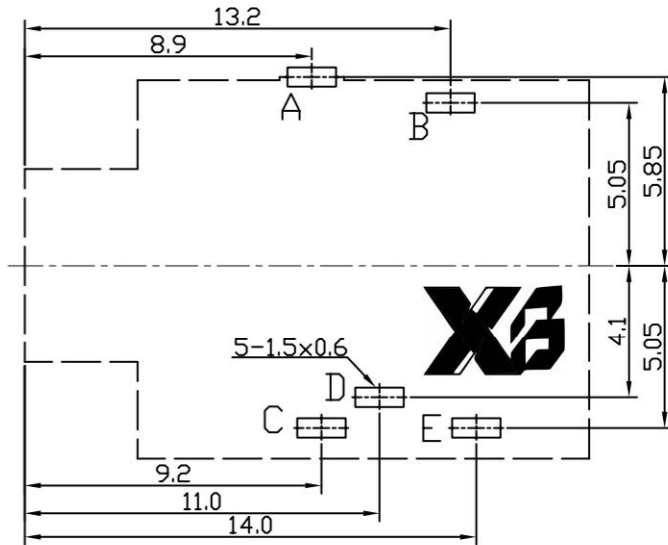
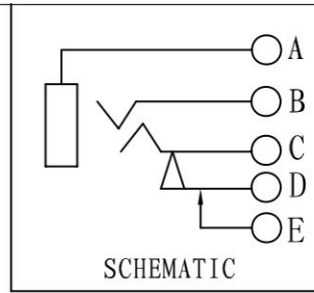
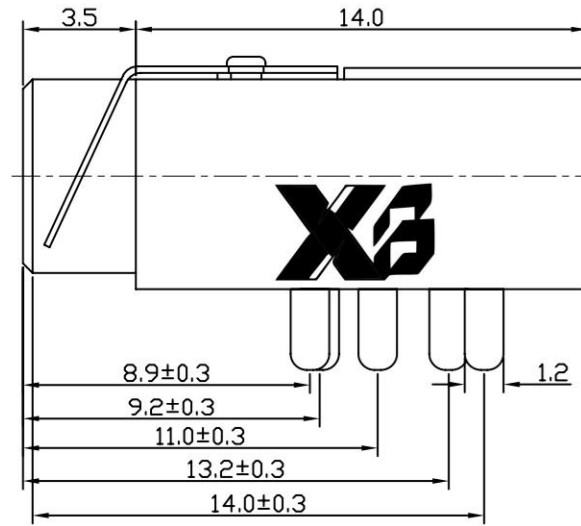
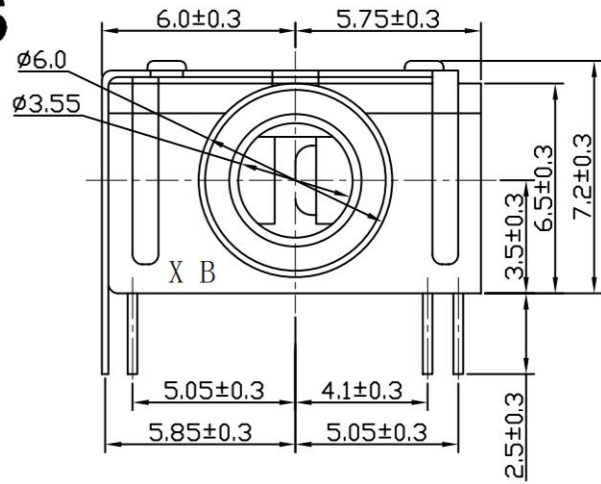


# ROHS



P. C. B LAYOUT

MATE PLUG

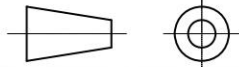


东莞市溪榜电子有限公司  
DONG GUAN XI BANG ELECTRONICS CO., LTD

TITLE : PHONE JACK

MODEL : ST-207 (W01001)

UNIT : MM	DWN.	DATE
SCALE : 5 : 1	CHK'D	DATE
VERSION 01	APPD.	DATE



TOLERANCE  
 $\leq 1.5\text{mm } \pm 0.1$   
 $> 1.5\text{mm } \pm 0.2$   
 $\geq 10\text{mm } \pm 0.3$

ANGLE TOL  
 $\pm 2^\circ$

4	TERMINAL B	BRASS STRIP	1	Ag PLATED
3	TERMINAL A C D E	PBS STRIP	4	Ag PLATED
2	COVER	PBT	1	BLACK
1	HOUSING	PBT	1	BLACK
NO.	PART NAME	MATERIAL	QTY.	FINISHING