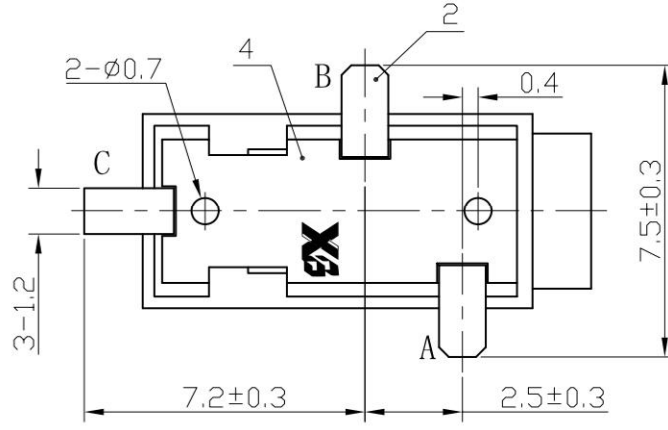
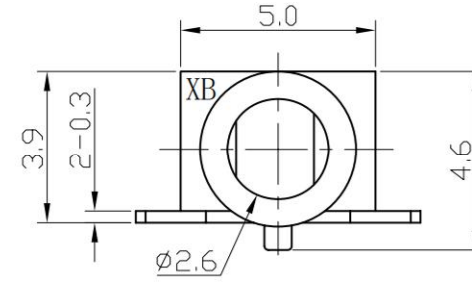
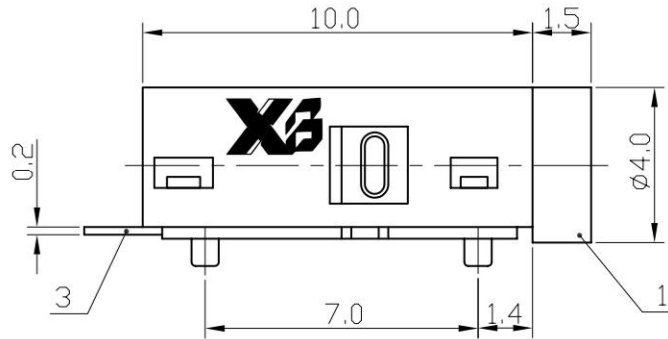
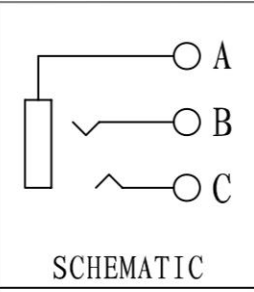
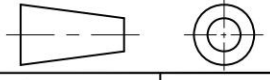


ROHS



东莞市溪榜电子有限公司
DONG GUAN XI BANG ELECTRONICS CO.,LTD

TITLE : PHONE JACK
MODEL : ST-202 (W01009)



UNIT : MM	DWN.	DATE
SCALE : 5 : 1	CHK'D	DATE
VERSION 01	APPD.	DATE

TOLERANCE
 $\leq 5.0\text{mm} \pm 0.1$
 $> 5.0\text{mm} \pm 0.2$
 $> 10\text{mm} \pm 0.3$

ANGLE
 $\pm 2^\circ$

NO.	PART NAME	MATERIAL	QTY	FINISHING
4	COVER	NYLON	1	BLACK
3	TERMINAL	PBS STRIP	1	Ag PLATED
2	TERMINAL	BRASS STRIP	2	Ag PLATED
1	CASE	NYLON	1	BLCAK