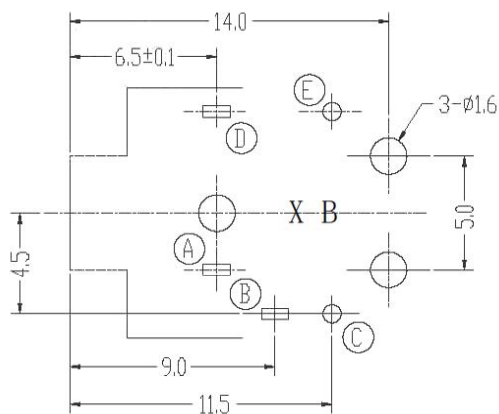
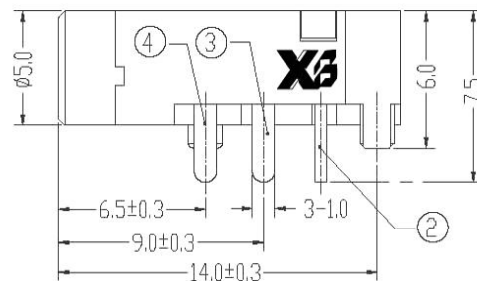
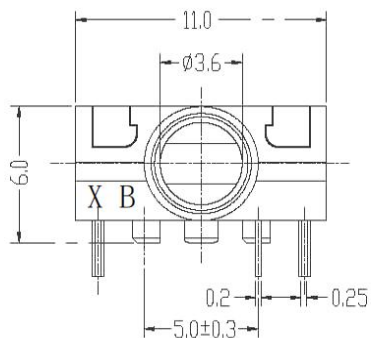
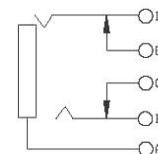
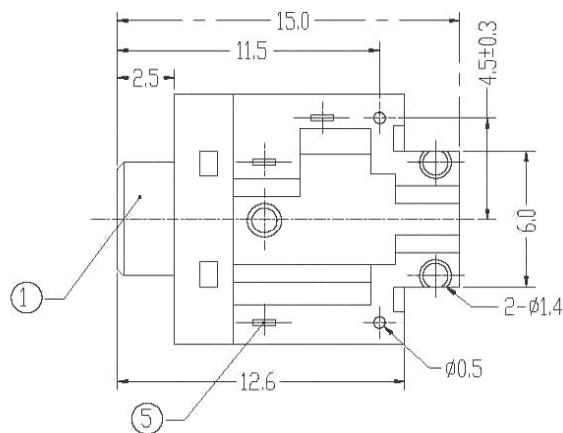


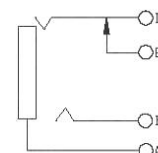
ROHS



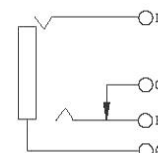
P, B, C LAYOUT



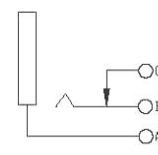
ST-103E SCHEMATIC



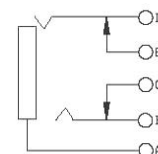
ST-103D SCHEMATIC



ST-103C SCHEMATIC



ST-103E SCHEMATIC



ST-103E SCHEMATIC



东莞市溪榜电子有限公司
DONG GUAN XI BANG ELECTRONICS CO., LTD

TITLE : PHONE JACK
MODEL : ST-049 (W115)



TOLERANCE
<=1.5mm ±0.1
> 1.5mm ±0.2
ANGLB TOL
±2°

UNIT : MM	DWN.	DATE
SCALE : 4 : 1	CHK'D	DATE
VERSION	APPD.	DATE

NO.	PART NAME	MATERIAL	QTY.	FINISHING
5	TERMINAL D	BRASS STIRP t=0.2mm	1	Ag PLATED
4	TERMINAL C	PBS STRIP t=0.2mm	1	Ag PLATED
3	TERMINAL B	PBS STRIP t=0.2mm	1	Ag PLATED
2	TERMINAL A	PBS STRIP t=0.2mm	1	Ag PLATED
1	CASE	NYLON	1	BLACK