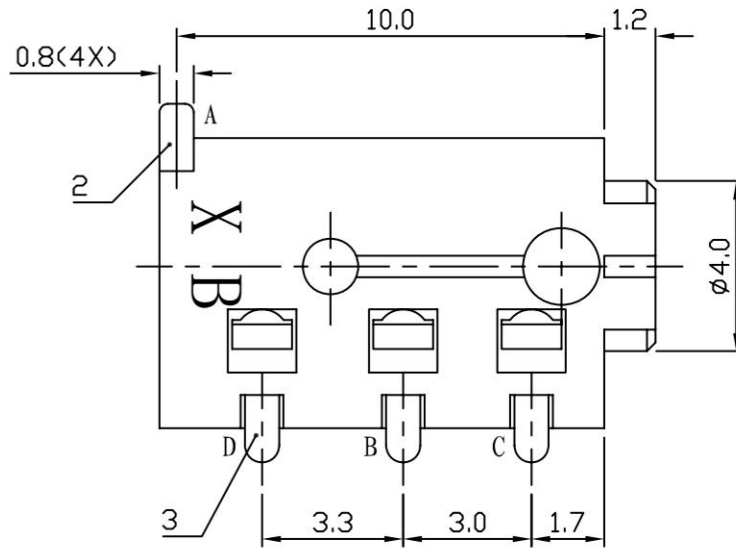
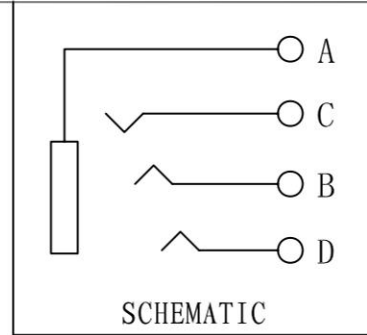
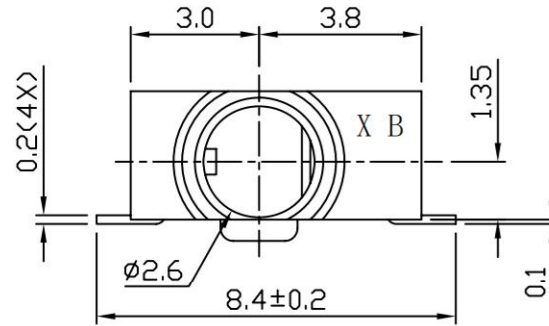
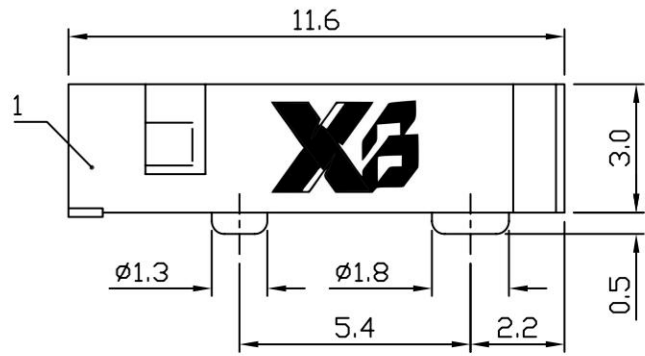


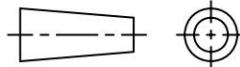
ROHS



东莞市溪榜电子有限公司
DONG GUAN XI BANG ELECTRONICS CO., LTD

TITLE : PHONE JACK

MODEL : ST-102 (W115)



TOLERANCE
≤ 5mm ± 0.1
> 5mm ± 0.2

ANGLE TOL
± 2°

UNIT : MM	DWN.	DATE
SCALE : 6 : 1	CHK'D	DATE
VERSION 01	APPD.	DATE

3	TERMINAL	P B S	3	Au PLATED
2	TERMINAL	P B S	1	Au PLATED
1	CASE	NYLON	1	BLACK
NO.	PART NAME	MATERIAL	QTY	FINISHING