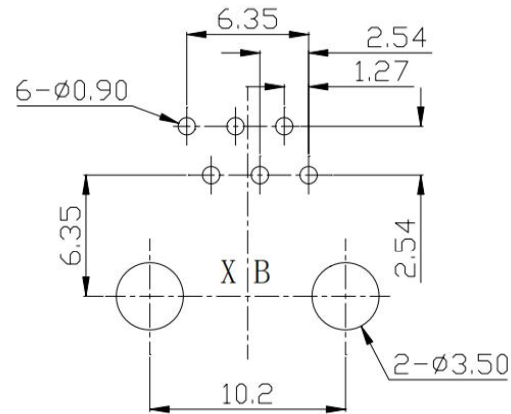
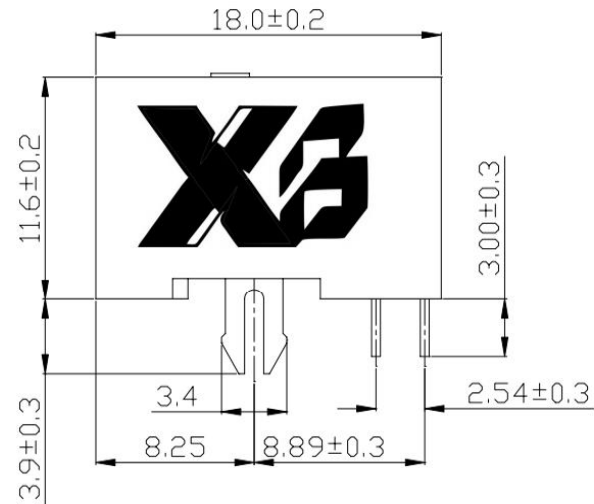
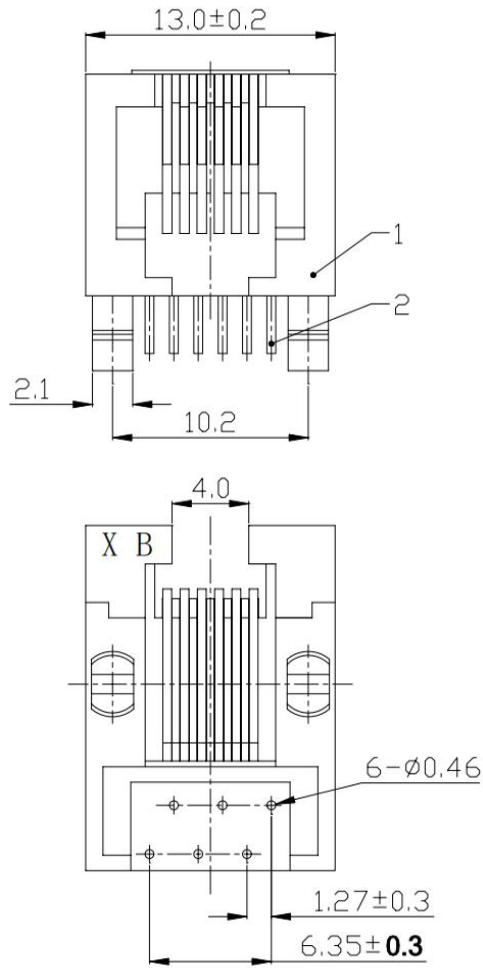


ROHS



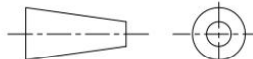
RECOMMENDED P.C.B LAYOUT
TOP VIEW (COMPONENT SIDE)



东莞市溪榜电子有限公司
DONG GUAN XI BANG ELECTRONICS CO., LTD

TITLE : NET JACK

MODEL : RJ45-6P6C (W285)



UNIT : MM	DWN.	DATE	
SCALE : 2.5:1	CHK'D	DATE	
VERSION	01	APPD.	DATE

TOLERANCE	ANGLE TOL
<= 1.5mm±0.1	±2°
> 1.5mm±0.2	
>=5mm±0.3	

2	TERMINAL	PBS STRIP	6	Au PLATED
1	HOUSING	NYLON	1	BLACK
NO.	PART NAME	MATERIAL	QTY.	FINISHING