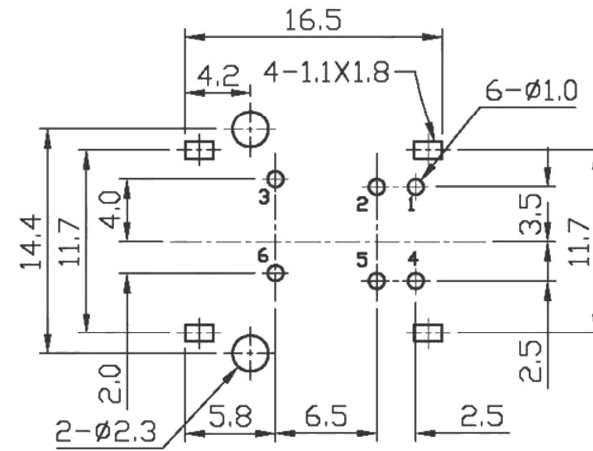
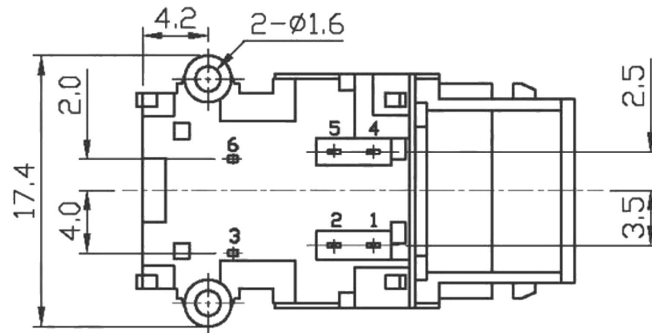
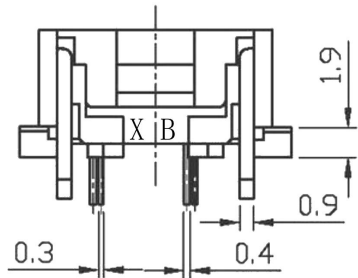
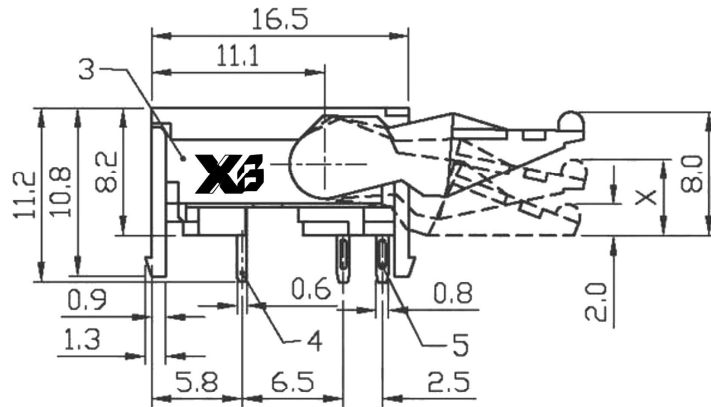
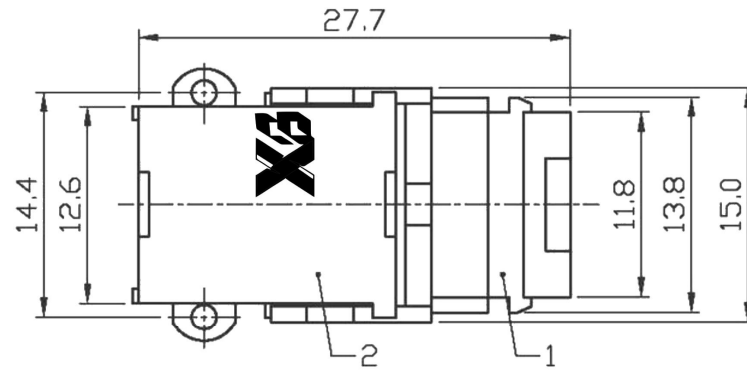
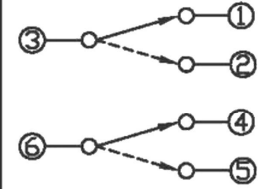


ROHS



P.C.B LAYOUT



SCHEMATIC

①③	ON	OFF
②③	OFF	ON
④⑥	ON	OFF
⑤⑥	OFF	ON

6.5Max 3.5Min
TRAVEL POSITION(X) (MM)
TIME LAG DIAGRAM



东莞市溪榜电子有限公司
DONG GUAN XI BANG ELECTRONICS CO.,LTD

TITLE : HOOK SWITCH

MODEL : HS-22L09 (W025)



TOLERANCE
≤ 1.5mm ±0.1
> 1.5mm ±0.2
>= 10mm ±0.3

ANGLE TOL
±2°

7	CONTACT POINT	SLIVER	8	Ag PLATED
6	SPRING	STEEL WIRE	1	NATURE
5	SPRING TERMINAL	PBS STRIP/NYLON	4	Ag PLATED/BLACK
4	TERMINAL	BRASS STRIP	2	Ag PLATED
3	CASE	NYLON	1	BLACK
2	COVER	POM	1	WHITE
1	KNOB	POM	1	BLACK
NO.	PART NAME	MATERIAL	QTY.	FINISHING

UNIT : MM	DWN.	DATE
SCALE : 2 : 1	CHK'D	DATE
VERSION 01	APPD.	DATE