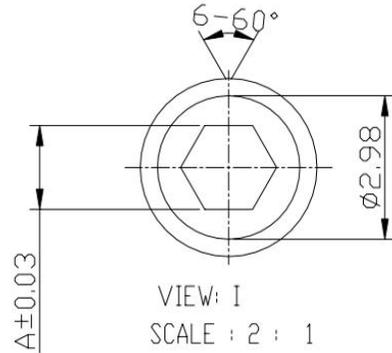
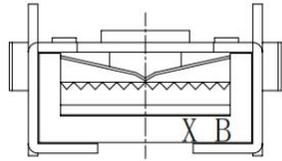


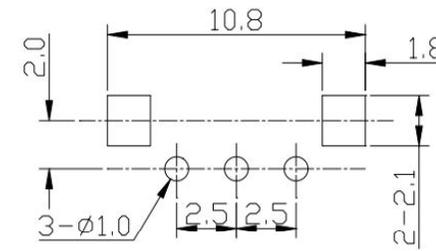
ROHS



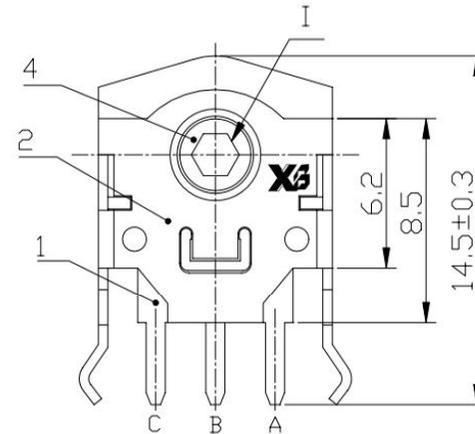
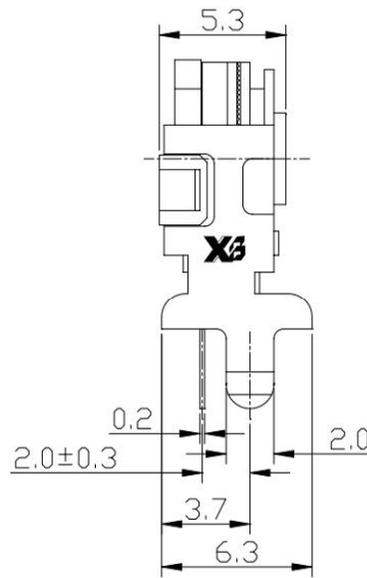
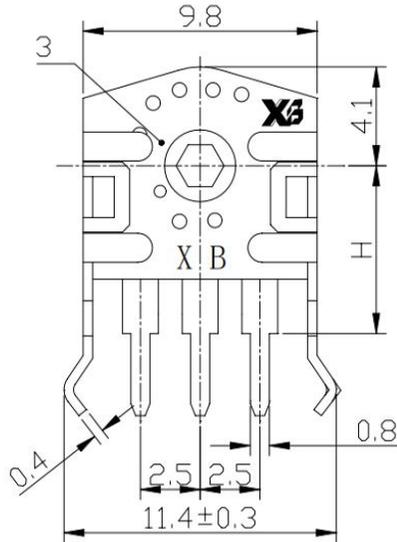
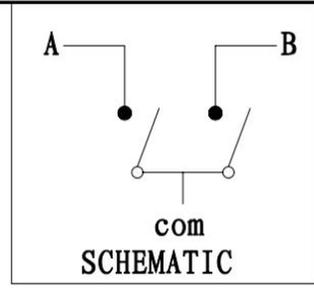
VIEW: I
SCALE: 2:1
(P.C.B thickness $t=1.6\text{mm}$)

Shaft hole shape
and dimension

Shaft hole position
will be at random



P.C.B LAYOUT



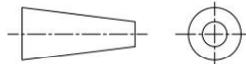
Model No.	Revolving Wheel Colour	H	A
EN001-BA	Black	11.0	1.74
EN002-BA	Black	7.0	1.74
EN003-BA	Black	9.0	1.74



东莞市溪榜电子有限公司
DONG GUAN XI BANG ELECTRONICS CO., LTD

TITLE : ENCODER

MODEL : EN001-BA EN002-BA EN003-BA (Y055)



TOLERANCE
 $\leq 1.5\text{mm} \pm 0.1$
 $> 1.5\text{mm} \pm 0.2$
 $> 5.0\text{mm} \pm 0.3$

ANGLE TOL
 $\pm 3^\circ$

NO.	PART NAME	MATERIAL	QTY	FINISHING
6	SPRING	PBS STRIP	1	NATURE
5	CONTACT	PBS STRIP	1	NATURE
4	Revolving Wheel	POM	1	BLACK
3	CASE	NYLON	1	BLACK
2	FIRE	IRON STRIP	1	Sn PLATED
1	TERMINAL	BRASS STRIP	3	Ag PLATED

UNIT :	MM
SCALE :	3 : 1
VERSION	01

DWN.	DATE
CHK'D	DATE
APPD.	DATE