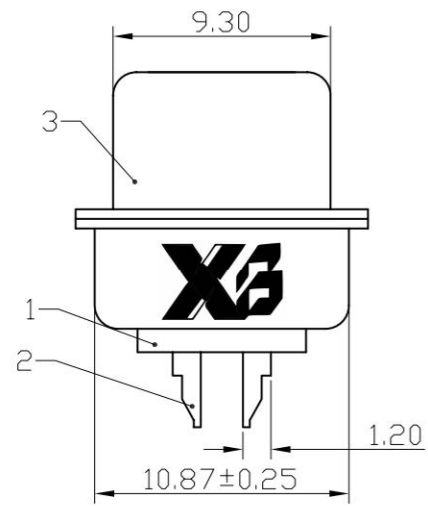
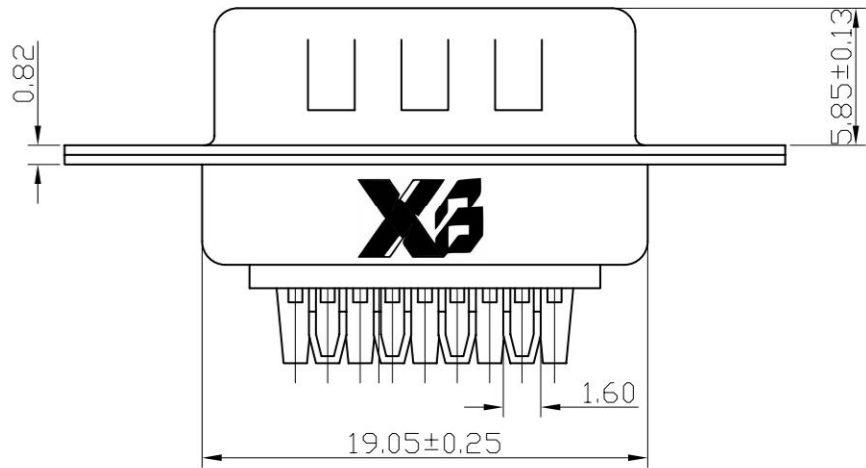
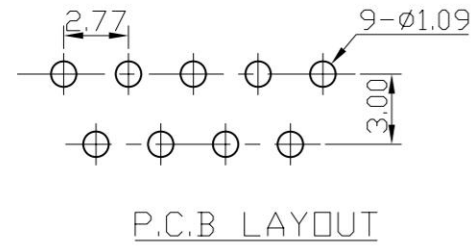
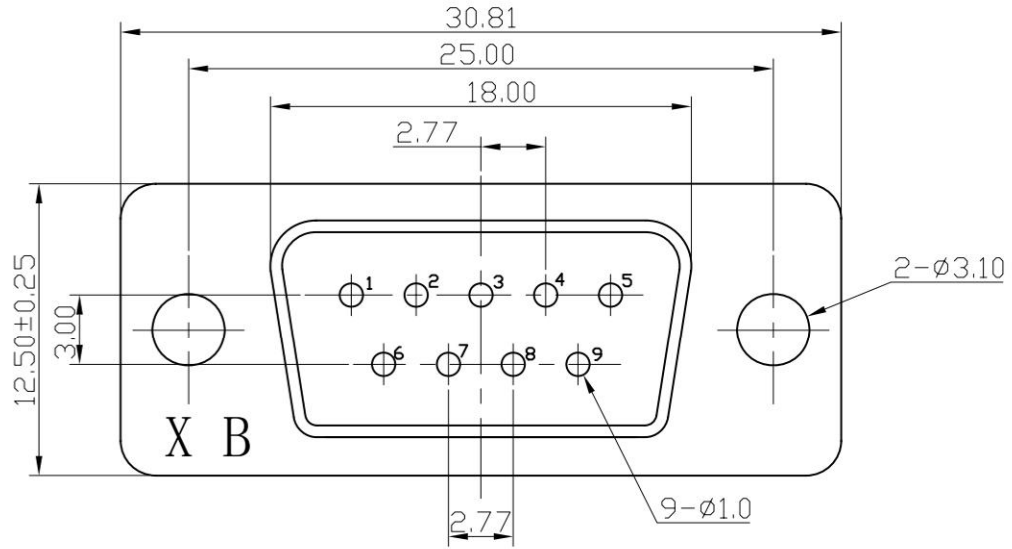


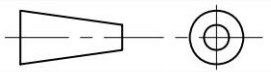
ROHS



东莞市溪榜电子有限公司
DONG GUAN XI BANG ELECTRONICS CO.,LTD

TITLE : DIN JACK

MODEL : DIN-116 (W231)



UNIT : MM	DWN.	DATE	2009-05-08	TOLERANCE <=1.5mm ±0.1 > 1.5mm ±0.2 >=10mm ±0.3	ANGLE ±2°
SCALE : 3 : 1	CHK'D	DATE			
VERSION	01	APPD.	DATE		

3	FRAME	IRON STRIP	1	Ni PLATED
2	TERMINAL	BRASS STRIP	9	Sn PLATED
1	HOUSING	PBT	1	BLUE
NO.	PART NAME	MATERIAL	QTY.	FINISHING