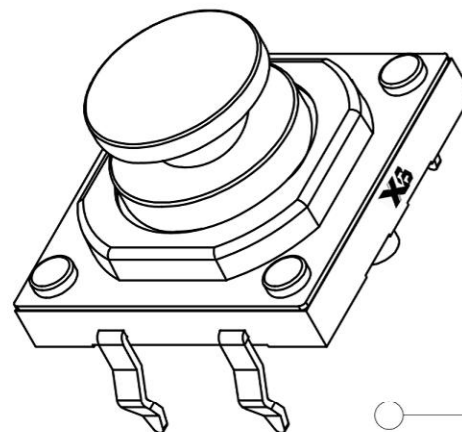
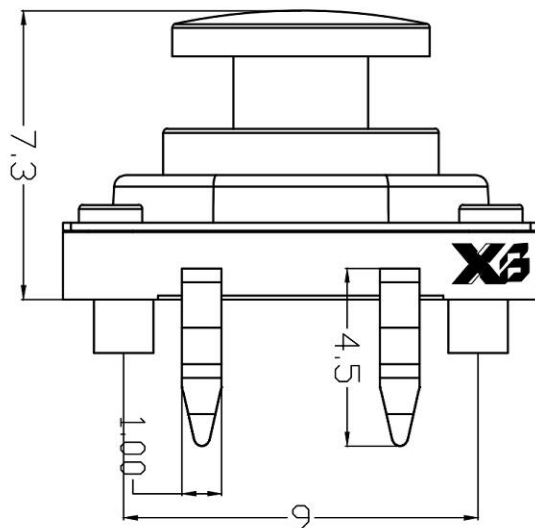
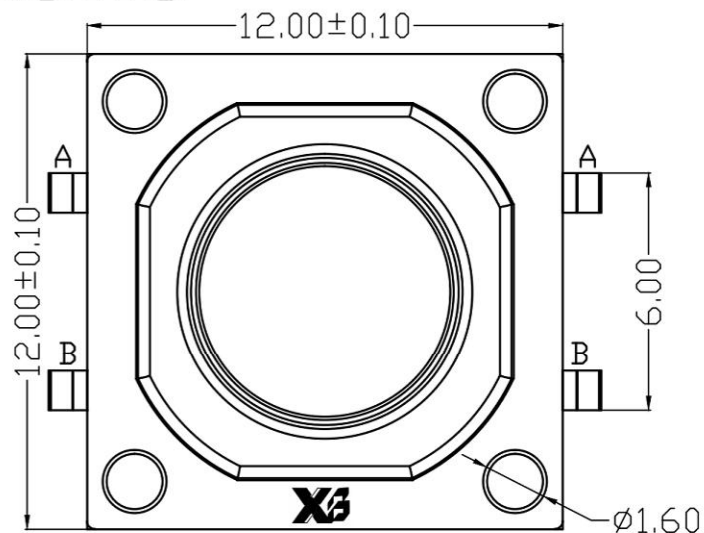
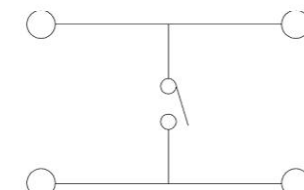


ROHS



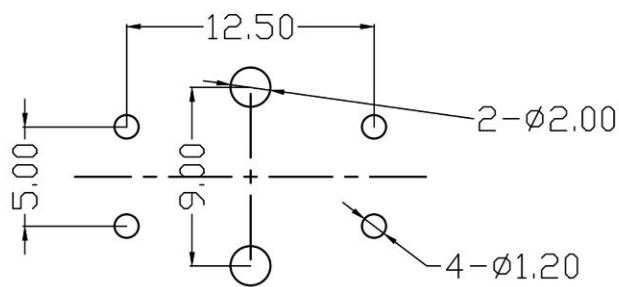
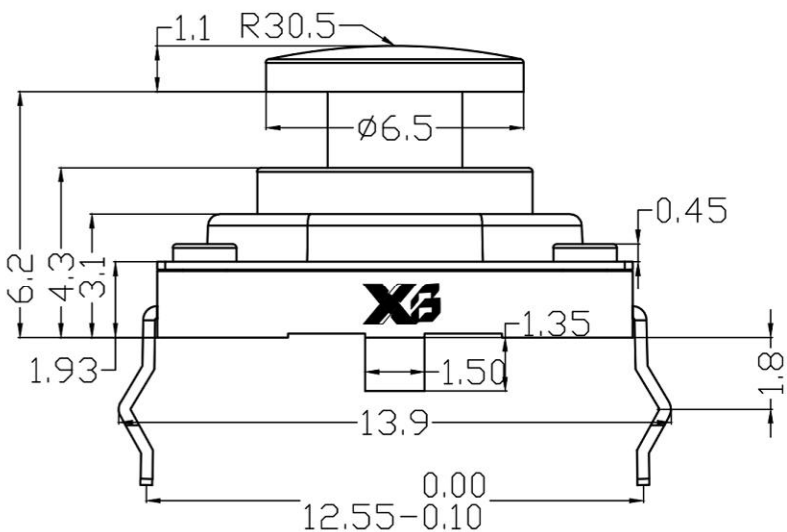
NO.1	
PART NO	vigor
1	90±30
2	130±30
3	180±30
4	250±30
5	350±50

NO.2-NO.3	
PART NO	NOTE
01~99	SERIAL NUMBER



Circuit Diagram

Climate grade:-30°C~70°C
 Rated values:50mA/12V
 Contact resistance:≅ 50mΩ
 Dielectric strength:250V.AC.1Min
 Insulation resistance:≥100MΩ
 Operating force:250±30gf
 Travel:0.30
 Life:5,000,000cycles-10,000,000cycles



PCB Layout(Pattern side)

ITEM	PART NAME	TER'NO.	QTY.	MATERIAL	FINISHING	REMARK
⑥	Cover	---	1	SUS	Plating Ni	---
⑤	Keystoke	---	1	PBT	Red	---
④	Dust Cover	---	1	PET	---	---
③	Contact	---	1	SUS	Plating Ag	---
②	Base	---	1	PBT	Black	---
①	Terminal	---	4	Brass(0.3t)	Plating Ag	---

	东莞市溪榜电子有限公司 DONG GUAN XI BANG ELECTRONICS CO., LTD									
	TITLE : XB TACT SWITCH									
	MODEL : XB-TS-T1212FD									
UNIT : MM	DWN.	GAO. PENG	DATE	TOLERANCE	ANGLE TOL	8	REEL	PS	1	BLUE
SCALE : 5 : 1	CHK'D	PANG. DONG	DATE	<=1.5mm ± 0.1	± 2°	7	CARRIER	PS	1	CLEAR
VERSION	APPD.	HE. LONG. FEI	DATE	> 1.5mm ± 0.2		6	COVER TAPE	PS	1	CLEAR
				>=10.0mm ± 0.3		5	CONTACT	PBS STRIP	1	Ag CLAD
						4	COVER	IRON STRIP	1	Ni PLATED
						3	CASE	NYLON	1	BLACK
						2	TERMINAL	BRASS STRIP	2	Ag PLATED
						1	KNOB	NYLON	1	BLACK
						NO.	PART NAME	MATERIAL	QTY.	FINISHING