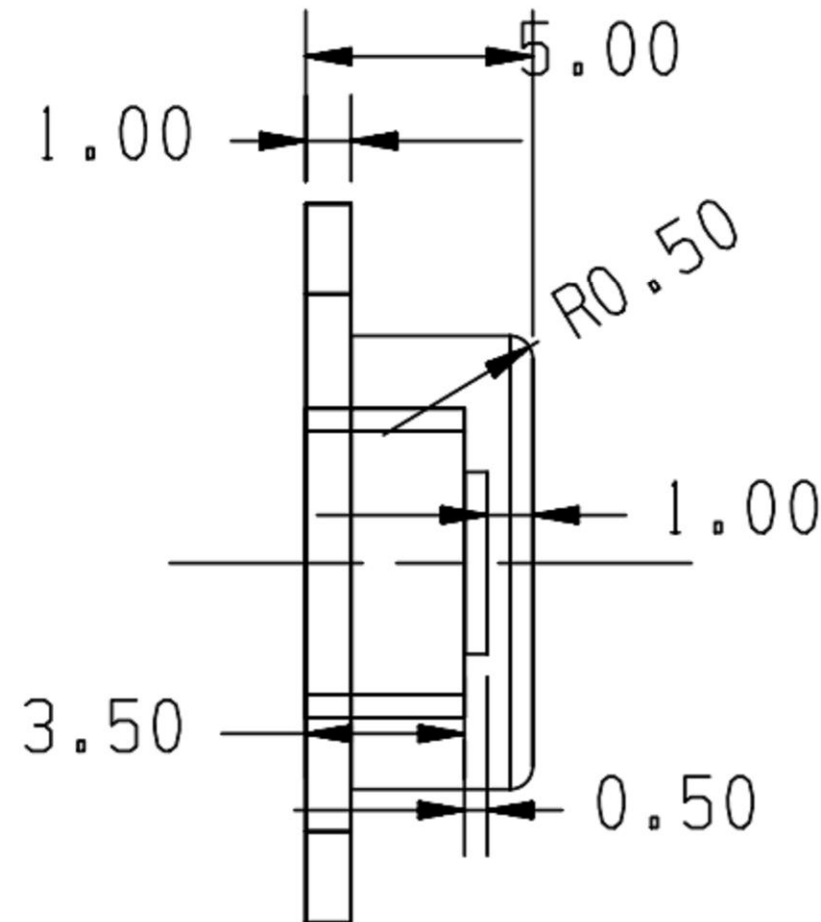
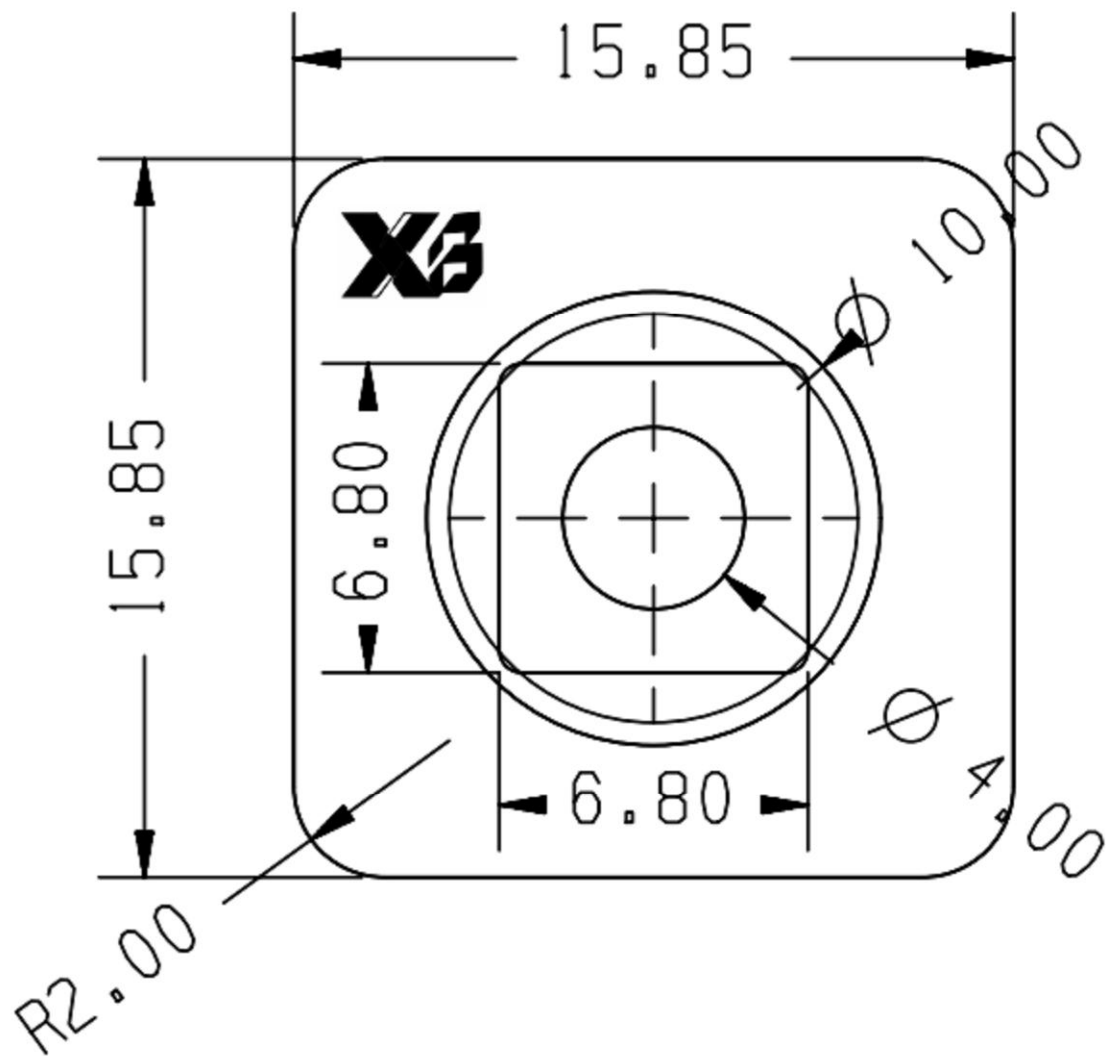

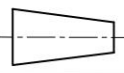
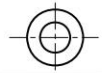


ROHS



					东莞市溪榜电子有限公司 DONG GUAN XI BANG ELECTRONICS CO., LTD						
					TITLE : XB TACT SWITCH MODEL : XB-TS-M16 硅胶按键帽					 	
UNIT : MM	DWN.	GAO. PENG	DATE		TOLERANCE <=1.5mm ± 0.1 > 1.5mm ± 0.2 >=10.0mm ± 0.3	ANGLE TOL ± 2°	8	REEL	PS	1	BLUE
SCALE : 5 : 1	CHK'D	PANG. DONG	DATE				7	CARRIER	PS	1	CLEAR
VERSION	01	APPD.	HE. LONG. FEI	DATE			6	COVER TAPE	PS	1	CLEAR
							5	CONTACT	PBS STRIP	1	Ag CLAD
							4	COVER	IRON STRIP	1	Ni PLATED
							3	CASE	NYLON	1	BLACK
							2	TERMINAL	BRASS STRIP	2	Ag PLATED
							1	KNOB	NYLON	1	BLACK
							NO.	PART NAME	MATERIAL	QTY.	FINISHING