

SCHEMATIC (NON-SHORTING)

|    |      |      |    |        |    |    |
|----|------|------|----|--------|----|----|
| 3  | 光纤插头 | 中心针  | 4  | H62黄铜棒 |    | 铜锡 |
| 2  | 光纤插头 | 盖板   | 1  | PBT    | 黑色 |    |
| 1  | 光纤插头 | 基座   | 1  | PBT    | 黑色 |    |
| 序号 | 产品编号 | 产品名称 | 数量 | 材料     | 规格 | 电镀 |

|          |             |       |        |
|----------|-------------|-------|--------|
| 6        | 更新圖面        | Jack  | 041117 |
| 5        | 更新料號        | Jack  | 070116 |
| 4        | 更新為A0版      | Jack  | 051616 |
| 3        | 更新標示        | Jack  | 062014 |
| 2        | 更新圖面        | Jack  | 041014 |
| 1        | 更新料號        | Jack  | 032814 |
| ITEM NO. | DESCRIPTION | DRAWN | DATE   |

**XB** 东莞市溪榜电子有限公司  
 DONG GUAN XI BANG ELECTRONICS CO., LTD.

TOLERANCE UNLESS OTHERWISE STATED:  
 Up to 5 ±0.2  
 Above 5 ~ 15 ±0.3  
 Above 15 ~ 30 ±0.4  
 Above 30 ~ 50 ±0.5  
 Angle ±0.3°

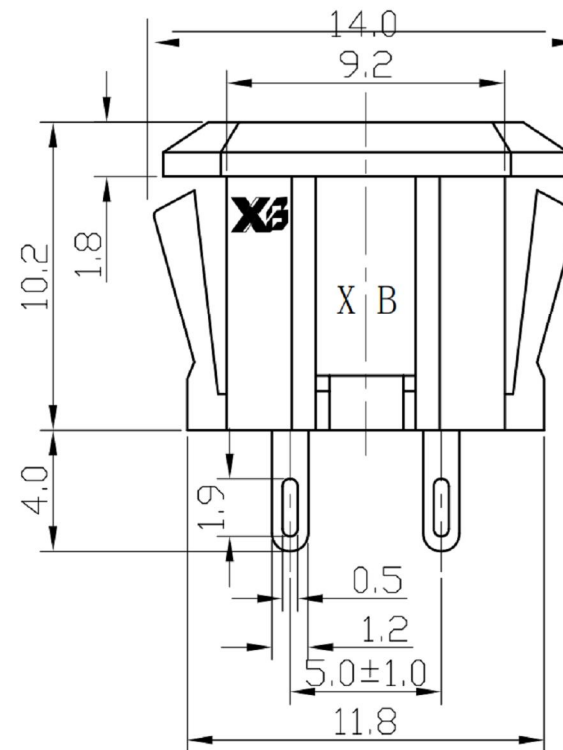
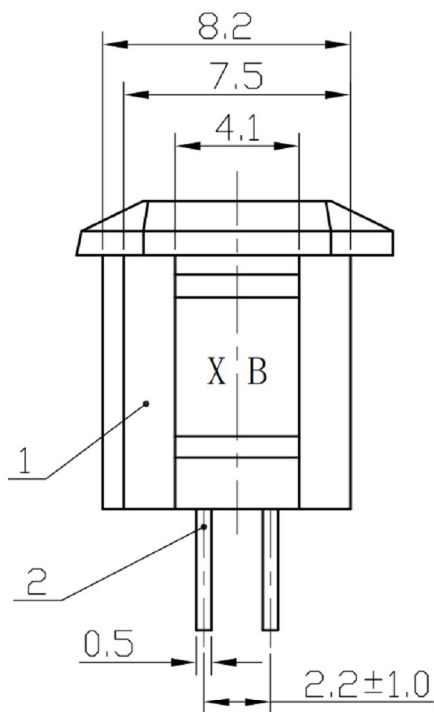
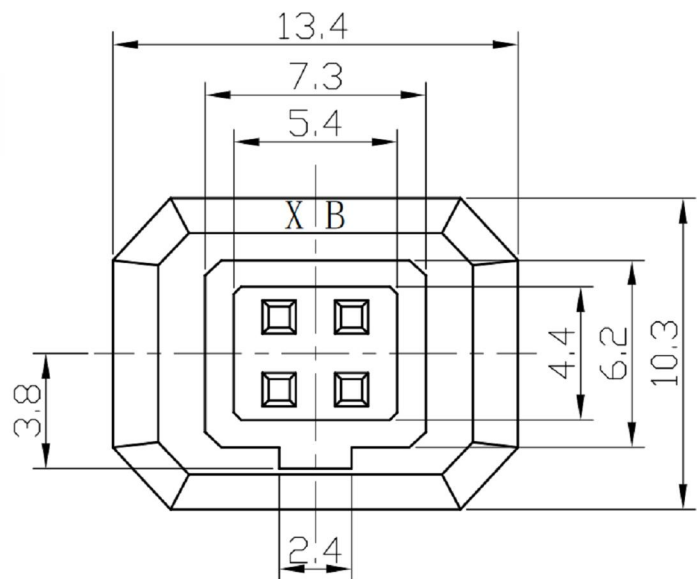
3RD. ANGEL'S



UNITS MM

DRAWN BY: Jack Lu  
 CHECKED BY: Jacky Chen  
 APPROVED BY: Tony Kao  
 DATE: 04/11/17

|           |        |          |              |
|-----------|--------|----------|--------------|
| MAT'L     |        | TITLE    | JACK         |
| FINISH    |        | MODLE    | OPTICAL JACK |
| SCALE     | 1 : 1  | DWG. NO. | XB-OJ-401T   |
| SHEET NO. | 1 of 1 | PART NO. |              |
|           |        | SIZE     | A4           |
|           |        | VER      | R6           |



|          |             |       |        |
|----------|-------------|-------|--------|
| 6        | 更新圖面        | Jack  | 041117 |
| 5        | 更新料號        | Jack  | 070116 |
| 4        | 更新為A0版      | Jack  | 051616 |
| 3        | 更新標示        | Jack  | 062014 |
| 2        | 更新圖面        | Jack  | 041014 |
| 1        | 更新料號        | Jack  | 032814 |
| ITEM NO. | DESCRIPTION | DRAWN | DATE   |



**东莞市溪榜电子有限公司**  
DONG GUAN XI BANG ELECTRONICS CO., LTD.

TOLERANCE UNLESS OTHERWISE STATED:  
Up to 5 ±0.2  
Above 5 ~ 15 ±0.3  
Above 15 ~ 30 ±0.4  
Above 30 ~ 50 ±0.5  
Angle ±0.3°

3RD. ANGEL'S



UNITS MM

|              |          |
|--------------|----------|
| DRAWN BY:    | DATE     |
| Jack Lu      | 04/11/17 |
| CHECKED BY:  | DATE     |
| Jacky Chen   | 04/11/17 |
| APPROVED BY: | DATE     |
| Tony Kao     | 04/11/17 |

|           |        |          |              |
|-----------|--------|----------|--------------|
| MAT'L     |        | TITLE    | JACK         |
| FINISH    |        | MODLE    | OPTICAL JACK |
| SCALE     | 1 : 1  | DWG NO.  | XB-OJ-401M   |
| SHEET NO. | 1 of 1 | PART NO. |              |
|           |        | SIZE     | A4           |
|           |        | VER      | R6           |