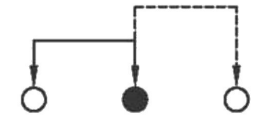
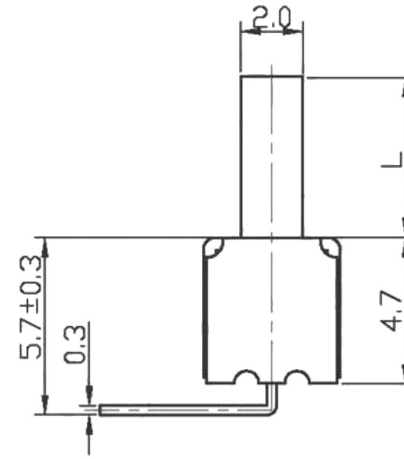
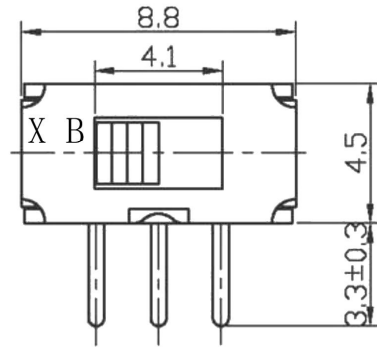
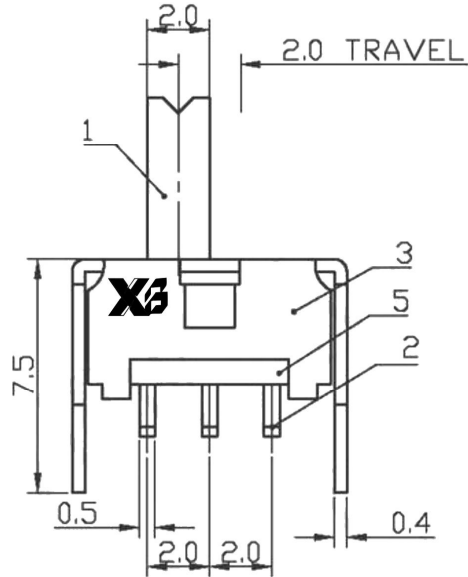


ROHS



SCHEMATIC



L=2~15

OPTIONAL KNOB TYPE

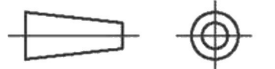
VGC	
GEE	



东莞市溪榜电子有限公司
DONG GUAN XI BANG ELECTRONICS CO.,LTD

TITLE : VERTICAL SLIDE SWITCH

MODEL : SS12D13C



TOLERANCE
 ≤1.5mm ±0.1
 >1.5mm ±0.2
 ≥10.0mm ±0.3

ANGLE TOL
 ±2°

UNIT : MM	DWN.	DATE
SCALE : 4:1	CHK'D	DATE
VERSION 01	APPD.	DATE

5	BOARD	PHENOLIC RESIN	1	NATURE
4	CONTACT CLIP	PBS STRIP	1	Ag PLATED
3	FRAME	IRON STRIP	1	Ni PLATED
2	TERMINAL	BRASS STRIP	3	Ag PLATED
1	KNOB	POM	1	BLACK
NO.	PART NAME	MATERIAL	QTY	FINISHING