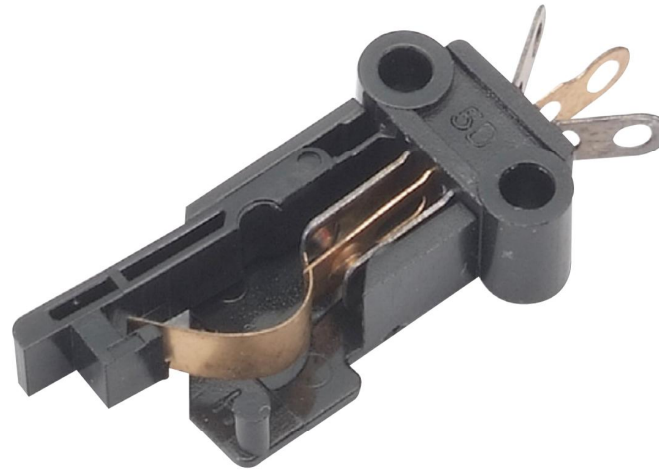
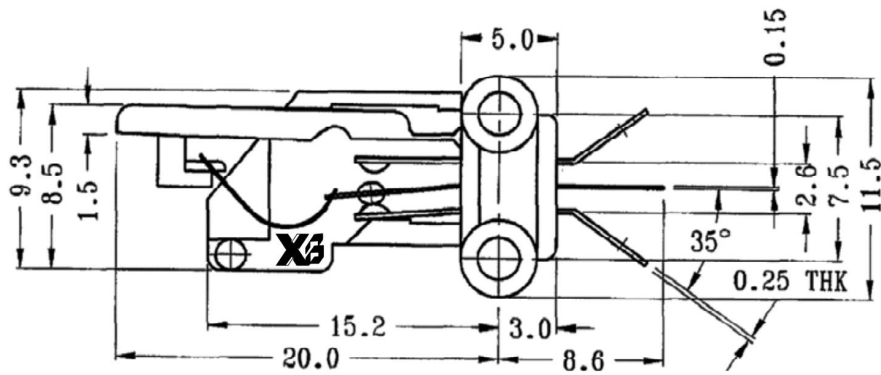
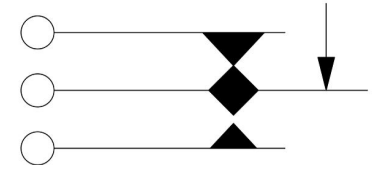


ROHS

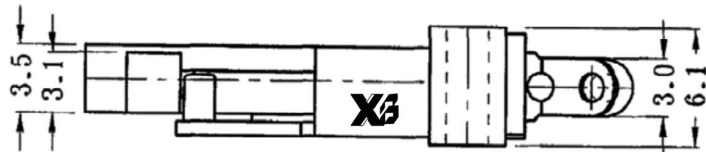


SCHEMATIC



CONTACT PLATING

G	=	GOLD
N	=	NICKEL
S	=	SILVER
X	=	NIL



Product material

- Blade switch
- Base: POM/PA66
- Terminal: Phosphorus copper
- Contact point: Purple copper
- Electroplating: Silver/Gold Plating
- Temperature range for use: $-10\text{ }^{\circ}\text{C} \pm 60\text{ }^{\circ}\text{C}$
- Current and voltage: 0.5A 12V DC
- Operating force: $30\text{GF} \pm 10\text{GF}$
- Voltage withstand: 500V 0.5mA/min
- Insulation resistance: $100\text{M } \Omega$
- Contact resistance: $30\text{M } \Omega$
- Lifetime: 50000 times



东莞市溪榜电子有限公司
DONG GUAN XI BANG ELECTRONICS CO., LTD

TITLE : LEAF SWITCH
MODBL : XB-LF-028



TOLERANCE
 $\leq 5\text{mm} \pm 0.1$
 $> 5\text{mm} \pm 0.2$

ANGLE TOL
 ± 2

UNIT : MM	DWN.	DATE
SCALE : 3 : 1	CHK'D	DATE
VERSION 01	APPD.	DATE

NO.	PART NAME	MATERIAL	QTY.	FINISHING
5	CONTACT	COPPER	1	Ag PLATED
4	SPRING	BRASS STRIP	2	Ag PLATED
3	SPRING	PBS	2	NATURE
2	COVER	POM	1	BLACK
1	KNOB	POM	1	BLACK