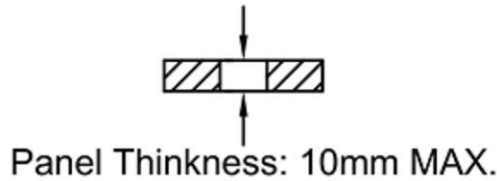
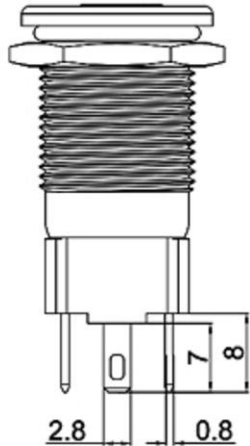
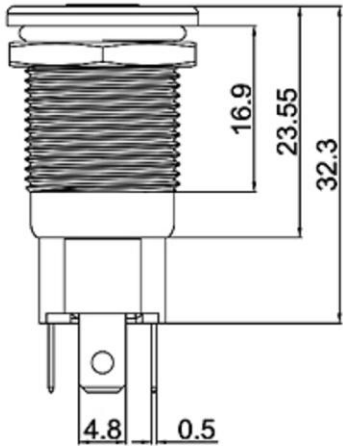
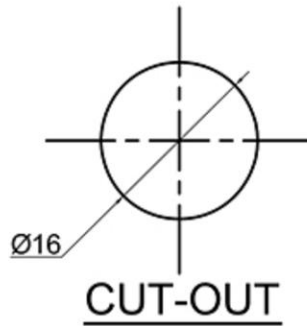
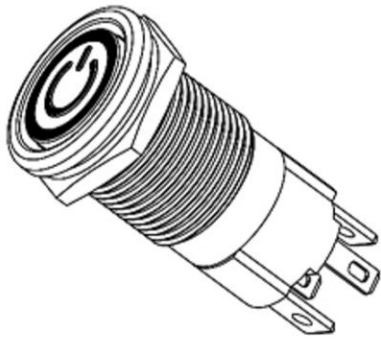


ROHS

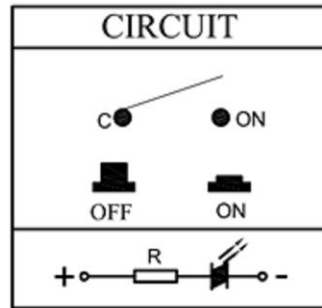


SPECIFICATIONS

Rating: 10A 250VACmax;
 Degree of protection: IP67;
 Contact Resistance: 50mΩ Max. ;
 Dielectric Strength:1500VAC For 1 minute ;
 Total Travel: 3±0.5mm ;
 Operating Force:600±200gf ;
 Mechanical Life:30,000 cycles ;
 Load Life:10,000 cycles ;
 Operating Temperature:-20° C~70° C ;
 Function:LOCK

MATERIAL:

Actuator: SUS ;
 Top Base: SUS;
 Bottom Base:PA66+GF ;
 Terminal: Brass,Silver plated ;
 Nut: Brass, Ni plated .



LED Specifications

W6	白色	5.0	6.0	9.0	15
U6	蓝色	5.0	6.0	9.0	15
G6	纯绿色	5.0	6.0	9.0	15
Y6	黄色	5.0	6.0	9.0	15
R6	红色	5.0	6.0	9.0	15
W3	白色	2.8	3.0	3.4	15
U3	蓝色	2.8	3.0	3.4	15
G3	纯绿色	2.8	3.0	3.4	15
Y2	黄色	1.8	2.0	2.4	15
R2	红色	1.8	2.0	2.4	15

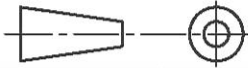
LED 类型	双向LED灯珠 (交直流通用)			U3	蓝色	2.8	3.0	3.4	15
寿命	40000小时 (参考值)			G3	纯绿色	2.8	3.0	3.4	15
额定电压	AC/DC12V	AC/DC24V	AC/DC110V	Y2	黄色	1.8	2.0	2.4	15
	AC/DC36V	AC/DC48V	AC/DC220V	R2	红色	1.8	2.0	2.4	15
额定电流	约15mA		约3mA	灯发光颜色 X Emitted color X	最小	一般	最大	额定 电流 (mA)	
降压方式	采用3V灯, 需内置电阻				顺向电压(V)				

The material contained in this drawing is the property of XiBang. Any use other than that specifically authorized by XiBang is prohibited. The above drawing IS subjected to change for improvement without prior notice.

东莞市溪榜电子有限公司
 DONG GUAN XI BANG ELECTRONICS CO., LTD

TITLE : METAL PUHS BUTTON SWITCH

MODEL : XB-PAM16-11Z-C-PR220-SO



TOLERANCE
 <=1.5mm±0.1
 > 1.5mm±0.2
 >=10mm±0.3

ANGLE
 ±2°

UNIT : MM	DWN.	ZENQ. CHEN	DATE						
SCALE : 3 : 1	CHK'D	PENG. GAO	DATE						
VBRSION	01	APPD.	FEI. LONG. HE	DATE					
7	SPRING	STEEL WIRE	1	NATURE					
6	STEEL BALL	STEEL	1	NATURE					
5	BOARD	PHENOLIC RESIN	1	NATURE					
4	CONTACT CLIP	PBS STRIP	2	Ag PLATED					
3	FRAME	IRON STRIP	1	Ni PLATED					
2	TERMINAL	BRASS STRIP	8	Ag PLATED					
1	KNOB	POM	1	BLACK					
NO.	PART NAME	MATERIAL	QTY.	FINISHING					