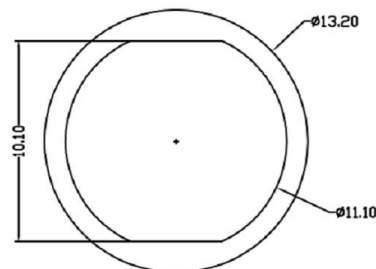
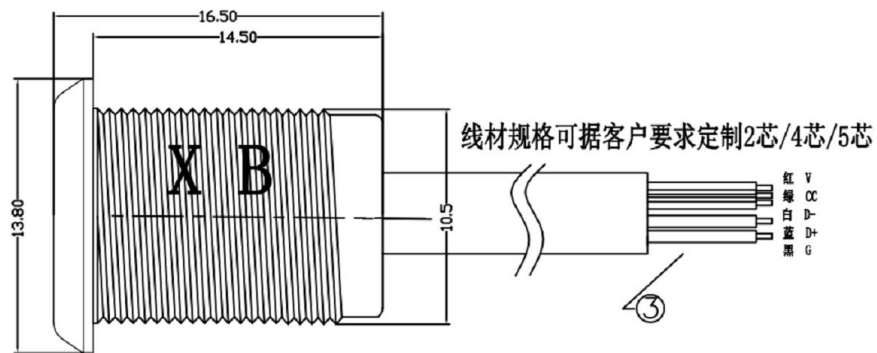
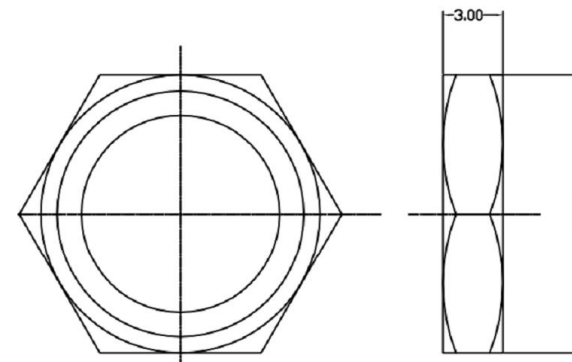


CAD FILE:

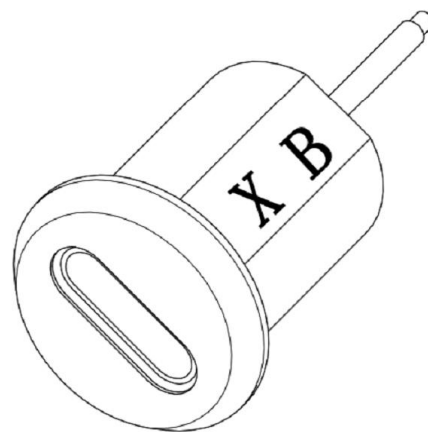
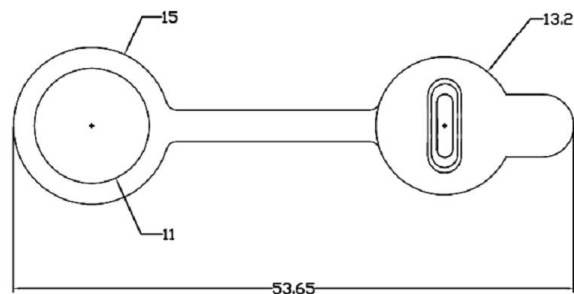
ROHS



机板开孔尺寸



螺牙规格: M11*1.0*14*3.0



SPECIFICATION

1. Rating: 30V 3A:
2. Contact resistance: $\leq 0.03 \Omega$:
3. Insulation resistance: $\geq 100M \Omega$ (DC250V)
4. Withstand voltage: 500VAC:
5. Insertion and extraction force: 5-20N
6. Life test: 10000 cycles:

8					TOLERANCE					
7					UNLESS SPECIFIED					
6					WITHIN 1.5mm : $\pm 0.1mm$	A	2012-9-25	初版		ZENQ. CHEN
5					OVER 1.5mm : $\pm 0.2mm$	ISSUE	DATE	DESCRIPTIONS OF REVISION		APPD.
4	CONTACT	SUS	1	Ag CLAD	TITLE : USB CONNECTOR			UNIT : mm	DRWG NO.: XB-USB-FS-YM-05PX	
3	CASE	PPA/BRASS SRTIP	1	BLACK/Ag PLATED	MODEL: XB-USB-FS-YM-05PX			SCALE: 5:1	DWN.	JUN. YANG 2012-9-25
2	COVER	STEEL STRIP	1	Ni PLATED	 东莞市溪榜电子有限公司 DONG GUAN XI BANG ELECTRONI CS CO., LTD.			CHK'D	DONG. PANG 2012-9-25	
1	KNOB	PPA	1	BLACK				APPD.	ZENQ. CHEN 2012-9-25	
NO.	PARTS	MATERIALS	Q'TY	FINISH						