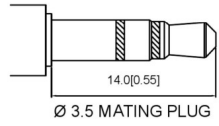
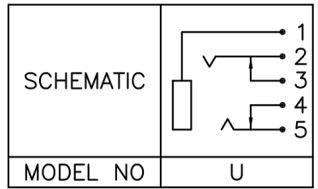
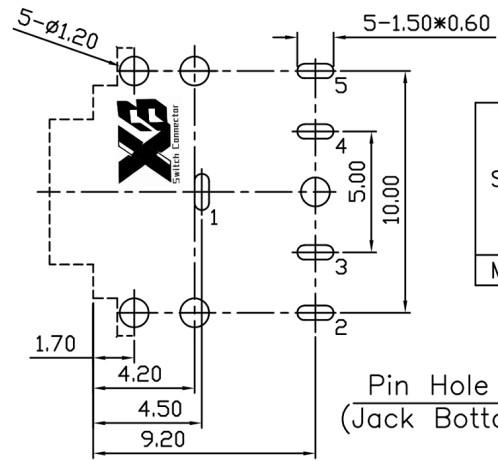
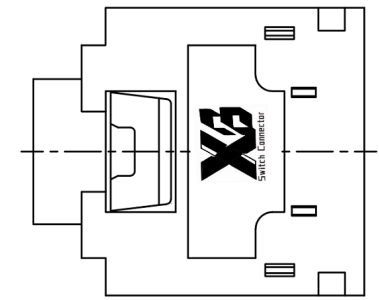
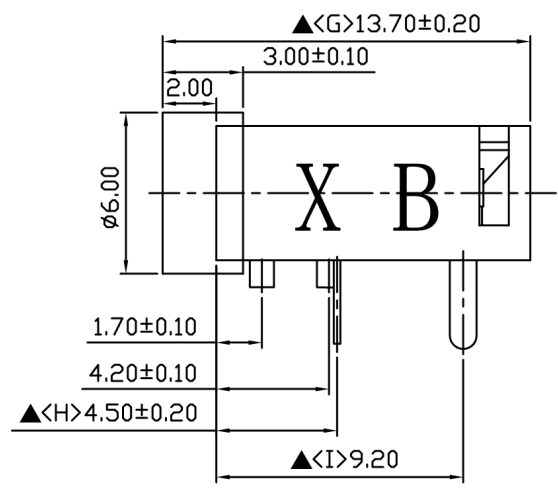
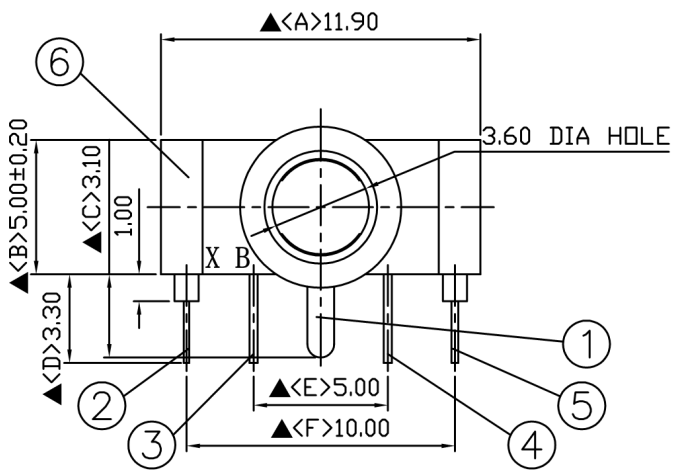


CAD FILE:

ROHS



	MATERIAL	PLATING
terminal 1	Phosphor Bronze	tin
terminal 2	Phosphor Bronze	tin
terminal 3	Phosphor Bronze	tin
terminal 4	Brass	tin
terminal 5	Brass	tin
plastic	Pbt	

SPECIFICATIONS:

Contact Resistance : 30mΩ max
 Insulation Resistance : 100MΩ min. at DC 500V
 Dielectric Withstanding Voltage: AC 500V for one minute
 Remark: ▲: The Most Important Dimension

NO.	Description	Material	Q'TY	Finish
7	Housing	PBT	1	Black Color
6	Barrel	Brass	1	Nickel Plated
5	Tip Spring	0.25T TicuR1-M-EH	1	Silver Plated
4	Break Terminal	0.3T Brass	1	Silver Plated
3	Break Terminal	0.3T Brass	1	Silver Plated
2	Ring Spring	0.2T TicuR1-M-EH	1	Silver Plated
1	Earth Terminal	0.2T Phosphor Bronze	1	Silver Plated

NO.	PARTS	MATERIALS	Q'TY	FINISH	TOLERANCE	DATE	DESCRIPTIONS OF REVISION	APPD.
8					UNLESS SPECIFIED			
7					WITHIN 1.5mm : ±0.1mm	A	2012-9-25	初版
6					OVER 1.5mm : ±0.2mm	ISSUE	DATE	ZENQ.CHEN
4	CONTACT	SUS	1	Ag CLAD	TITLE : Audio Jack		UNIT : mm	DRWG NO.: XB-PJ-307X5P-S
3	CASE	PPA/BRASS SRTIP	1	BLACK/Ag PLATED	MODEL: XB-PJ-307X5P-S		SCALE: 5:1	DWN. JUN. YANG 2012-9-25
2	COVER	STEEL STRIP	1	Ni PLATED	东莞市溪榜电子有限公司		CHK'D DONG. PANG	2012-9-25
1	KNOB	PPA	1	BLACK	DONG GUAN XI BANG ELECTRONICS CO., LTD.		APPD. ZENQ. CHEN	2012-9-25



东莞市溪榜电子有限公司
 DONG GUAN XI BANG ELECTRONICS CO., LTD.