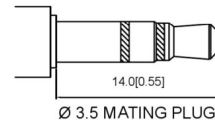
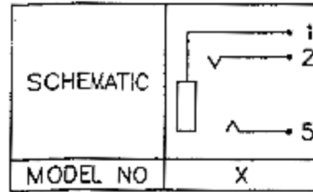
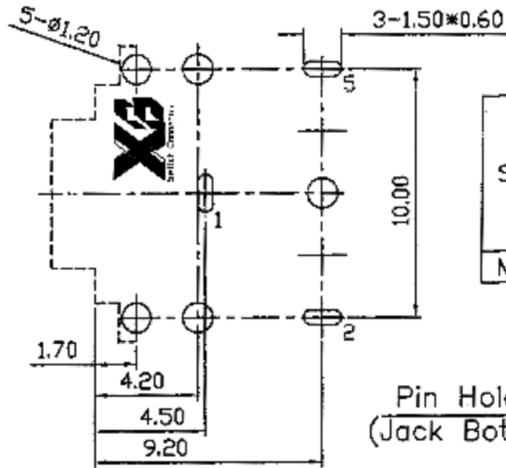
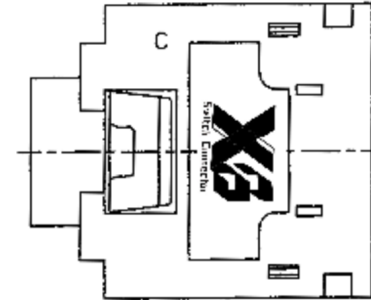
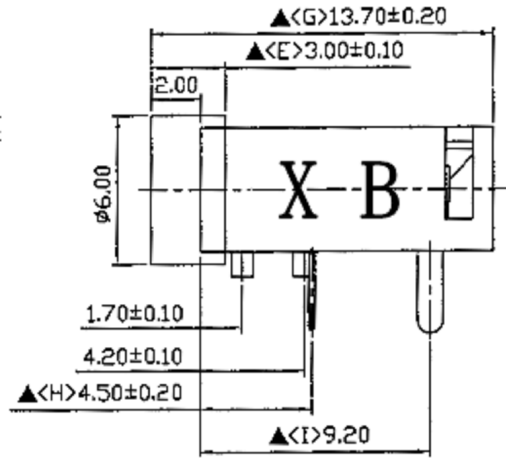
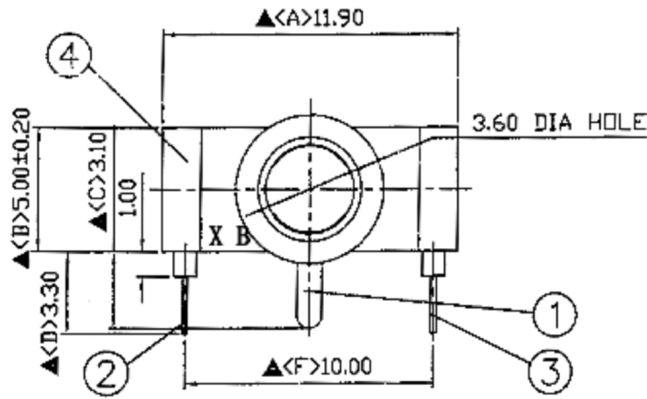




CAD FILE:

ROHS



	MATERIAL	PLATING
terminal 1	Phosphor Bronze	tin
terminal 2	Phosphor Bronze	tin
terminal 3	Phosphor Bronze	tin
terminal 4	Brass	tin
terminal 5	Brass	tin
plastic	Pbt	

SPECIFICATIONS:

Contact Resistance : 30mΩ max
 Insulation Resistance : 100MΩ min. at DC 500V
 Dielectric Withstanding Voltage: AC 500V for one minute
 Remark: ▲: The Most Important Dimension

NO.	Description	Material	Q'TY	Finish
7	Housing	PBT	1	Black Color
6	Barrel	Brass	1	Nickel Plated
5	Tip Spring	0.25T TicuR1-M-EH	1	Silver Plated
4	Break Terminal	0.3T Brass	1	Silver Plated
3	Break Terminal	0.3T Brass	1	Silver Plated
2	Ring Spring	0.2T TicuR1-M-EH	1	Silver Plated
1	Earth Terminal	0.2T Phosphor Bronze	1	Silver Plated

NO.	PARTS	MATERIALS	Q'TY	FINISH	TOLERANCE UNLESS SPECIFIED	DATE	DESCRIPTIONS OF REVISION	APPD.
8					WITHIN 1.5mm : ±0.1mm	A	初版	ZENQ.CHEN
7					OVER 1.5mm : ±0.2mm	ISSUE		
6					TITLE : Audio Jack			
5					MODEL: XB-PJ-307X3P-S		UNIT : mm	
4	CONTACT	SUS	1	Ag CLAD	SCALE: 5:1		DRWG NO.: XB-PJ-307X3P-S	
3	CASE	PPA/BRASS SRTIP	1	BLACK/Ag PLATED	DWN. JUN. YANG		2012-9-25	
2	COVER	STEEL STRIP	1	Ni PLATED	CHK'D DONG. PANG		2012-9-25	
1	KNOB	PPA	1	BLACK	APPD. ZENQ. CHEN		2012-9-25	



东莞市溪榜电子有限公司
 DONG GUAN XI BANG ELECTRONI CS CO., LTD.