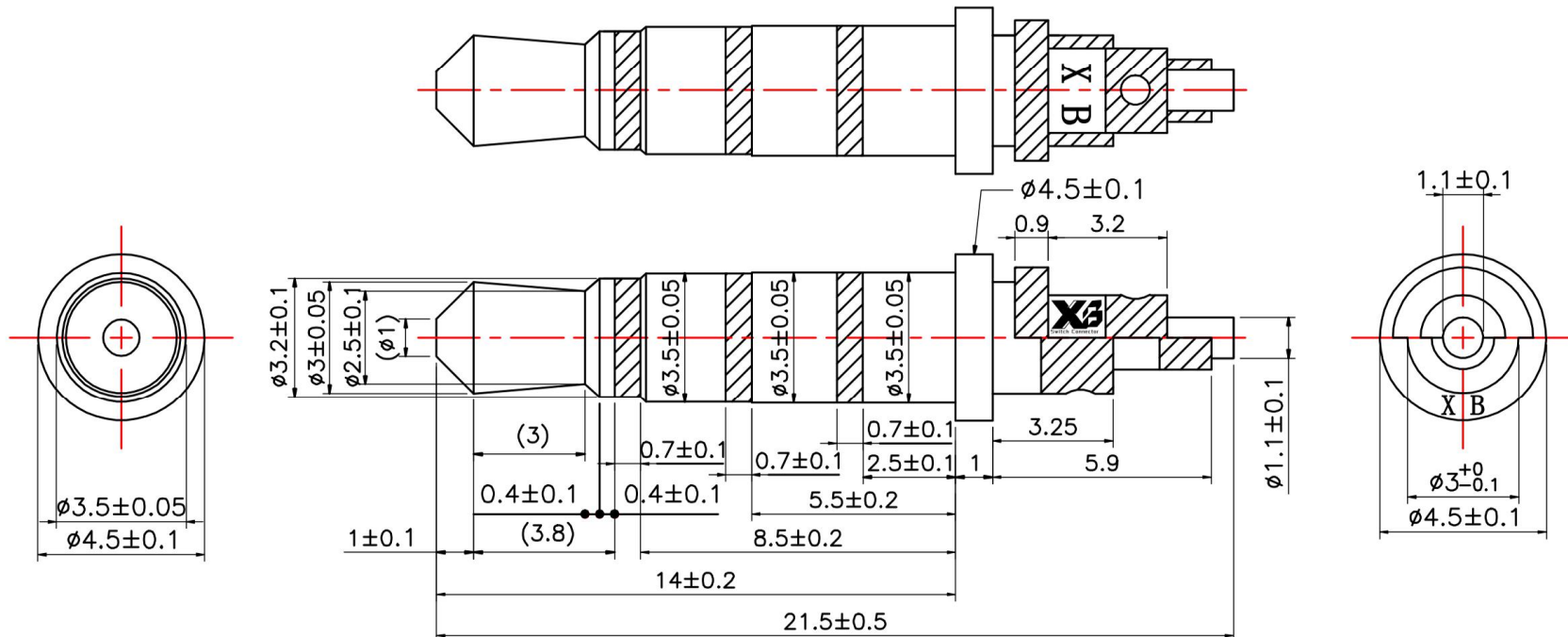


ROHS

版本 REV	修正标记 REV.LTR	修正前 BEFORE REVISION	修正后 AFTER REVISION	签名 SIGN	日期 DATE
V1.0		新原制定		贺龙飞	20190726



Technology Request:

- 1.Outlook:No burr, no hurt.
- 2.Electronic performance:
 - a:Insulation resistance: Above DC500V/100MΩ;
 - b:Endure voltage:AC500V at 1 minute;
 - c>Contact resistance:Under 30mΩ;
- 3.Insertion force & withdrawal force:0.3-3kgf.
- 4.Salt spray test:48H.
- 5.Meet RoHS.
- 6.Remark * is important specification.

单位 Unit	mm	一般公差 The general tolerance	7							
比例 Scale	5:1	xx.:±0.3	6							
视图 Third angle projection		x.x.:±0.1	5	4.5*4.8*1*2.95-2.5四股管	C3604	Ni 2-3um				
		.xx.:±0.05	4	3.52*9.6*2.3三股管	C2680	Ni 2-3um				
			3	3.46*14*1.7二股管	C2680	Ni 2-3um				
			2	3.18*21.3*0.8*1.1R头	C3604	Ni 2-3um				
			1	PLASTIC	POM	BLACK				
			NO.	PART	MATERIAL	PLATING				

核准 APPROVED BY	校对 CHECKED BY	制图 DRAWN BY
贺龙飞	赖海杰	龙柳婷

东莞市溪榜电子有限公司 DONG GUAN XI BANG ELECTRONICS CO., LTD.	
规格 DESCRIPTION:	3.5 4POLE PLUG φ3.5*φ4.5*21.5
品名 P/N:	P35445215反焊点
图号 DRAWN NO:	CP-05-0265