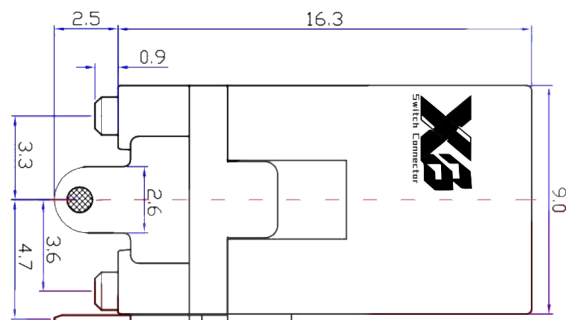
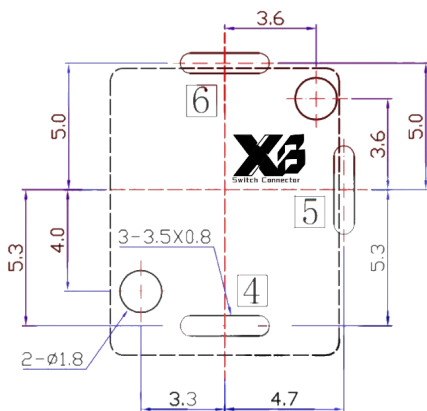
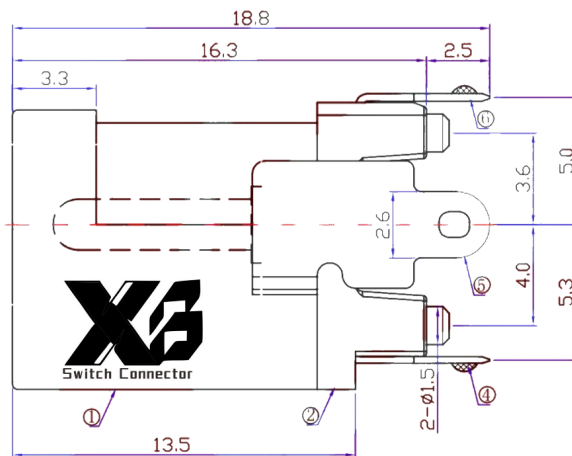
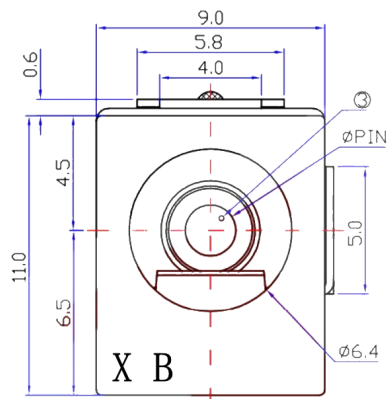


CAD FILE:

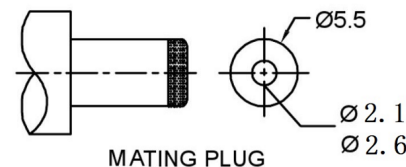
**ROHS**



T:1.6 Dimensions of PC board holes  
Tolerance : ±0.1(Printed-sided view)

SPECIFICATION

1. Rating : DC 12V 30V , 1.0A 3.0A
2. Contact resistance : ≤30mΩ
3. Insulation resistance : ≥100MΩ
4. Withstand voltage : 500VAC
5. Insertion and extraction force : 3-20N
6. life test : 5,000 cycles



SCHEMATIC	
CENTER PIN	Ø2.0mm
	Ø2.5mm

8					TOLERANCE				
7					UNLESS SPECIFIED				
6					WITHIN 1.5mm : ±0.1mm	A	2012-9-25	初版	ZENQ. CHEN
5					OVER 1.5mm : ±0.2mm	ISSUE	DATE	DESCRIPTIONS OF REVISION	APPD.
4	CONTACT	SUS	1	Ag CLAD	TITLE : DC Power Jack		UNIT : mm	DRWG NO.: XB-DC-0012XE	
3	CASE	PPA/BRASS SRTIP	1	BLACK/Ag PLATED	MODEL: XB-DC-0012XE		SCALE: 5:1	DWN.	JUN. YANG 2012-9-25
2	COVER	STEEL STRIP	1	Ni PLATED	<b>东莞市溪榜电子有限公司</b> DONG GUAN XI BANG ELECTRONI CS CO., LTD.		CHK'D	DONG. PANG	2012-9-25
1	KNOB	PPA	1	BLACK			APPD.	ZENQ. CHEN	2012-9-25
NO.	PARTS	MATERIALS	Q'TY	FINISH					