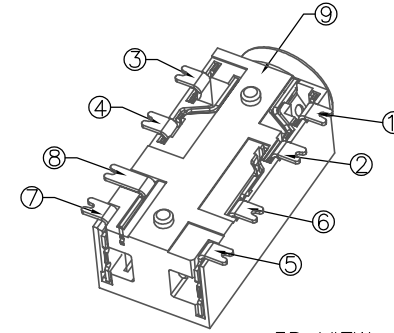
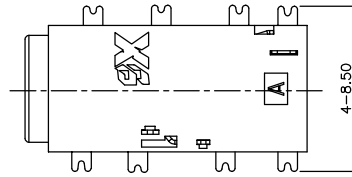
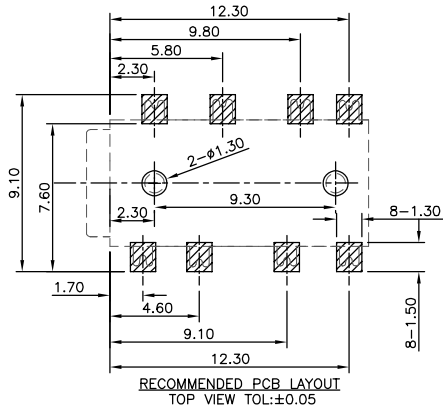
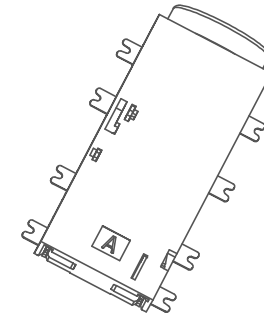
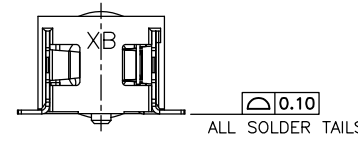
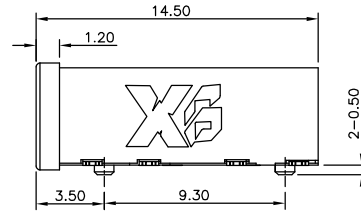
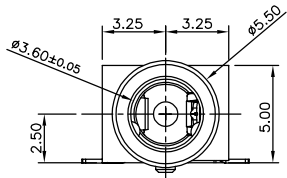


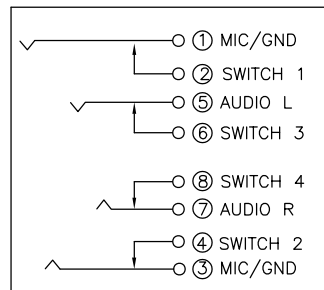
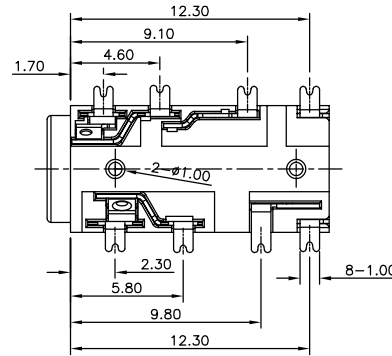
($\phi 3.50\text{mm}$ 4 POLE PLUG DETAIL DRAWING)



3D VIEW



RECOMMENDED PCB LAYOUT
TOP VIEW TOL: ± 0.05



SCHEMATIC

技术要求:

1. 电气及机械特性要求如下:
 - 1.1 接触阻抗: 50m Ω 以下;
 - 1.2 绝缘阻抗: 100M Ω 以上;
 - 1.3 耐电压: 500V AC以上;
 - 1.4 耐插拔: 5,000次以上;
 - 1.5 插入力: 0.3~3.0kgf (3~30N);
 - 1.6 拔出力: 0.3~3.0kgf (3~30N).
2. 产品符合RoHS环保标准要求.

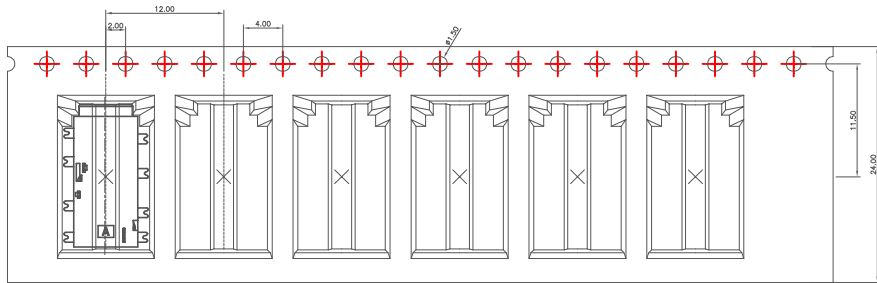
ITEM	PART NAME	Q'TY	MATERIAL	DESCRIPTION
09	HOUSING	1 PCS	HIGH TEMPERATURE PLASTIC	BLACK COLOR
08	CONTACT G	1 PCS	PHOSPHOR BRONZE T=0.20	Au Plated
07	CONTACT G	1 PCS	STAINLESS STEEL, T=0.20	Au Plated
06	CONTACT F	1 PCS	PHOSPHOR BRONZE T=0.20	Au Plated
05	CONTACT E	1 PCS	STAINLESS STEEL, T=0.20	Au Plated
04	CONTACT D	1 PCS	PHOSPHOR BRONZE T=0.20	Au Plated
03	CONTACT C	1 PCS	PHOSPHOR BRONZE T=0.20	Au Plated
02	CONTACT B	1 PCS	PHOSPHOR BRONZE T=0.20	Au Plated
01	CONTACT A	1 PCS	PHOSPHOR BRONZE T=0.20	Au Plated

UNLESS OTHERWISE SPECIFIED TOLERANCES

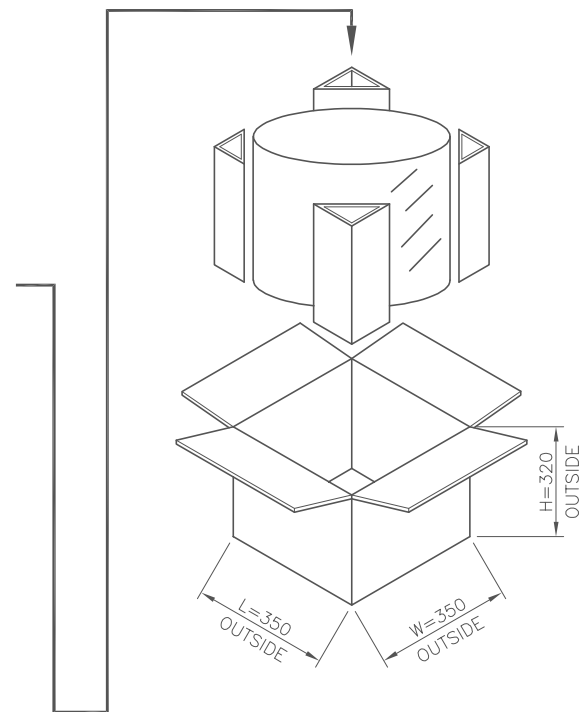
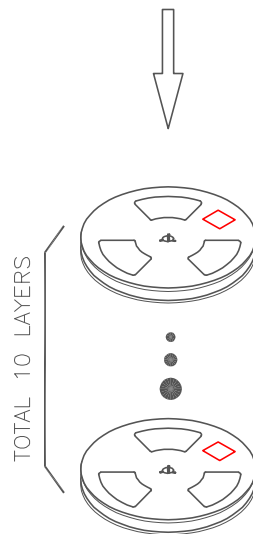
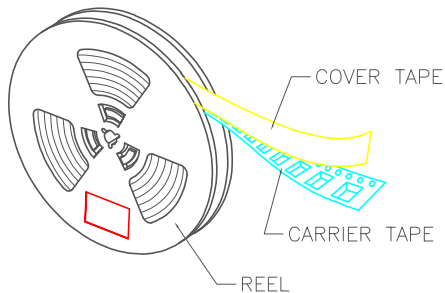
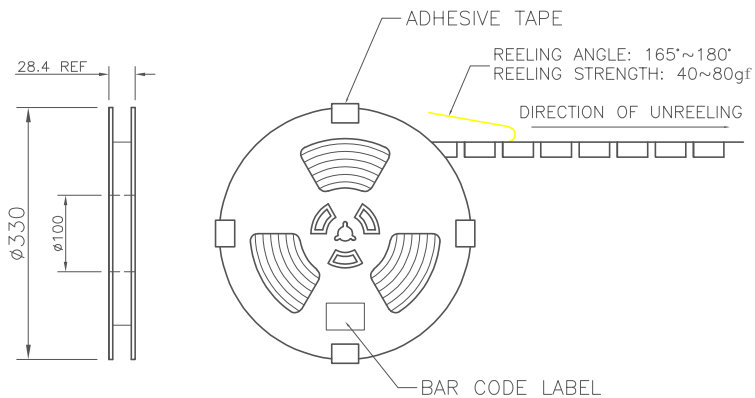
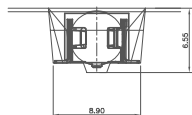
XB 东莞市溪榜电子有限公司
DONG GUAN XI BANG ELECTRONICS CO., LTD.

DECIMALS:		ANGLES:		DESIGN:	Tony	PART NAME:
DIM	TOL	DIM	TOL		2023.5.31	$\phi 3.5$ AUDIO JACK
X.	± 0.50	X.	$\pm 2^\circ$	CHECK:		PART NO.
X.X	± 0.30	X.X	$\pm 1^\circ$			XB-PJ03508-1171-00000H
X.XX	± 0.20	X.XX		APPROVED	Andy	SHEET: 1/1
X.XXX	± 0.10	X.XXX			2023.5.31	REV.: A1
3RD ANGLE PROJECTION		UNIT:	mm	DRAWING NO		

REV.	ECN NO.	DESCRIPTION	DESIGN	DATE
8				
7				
6				
5				



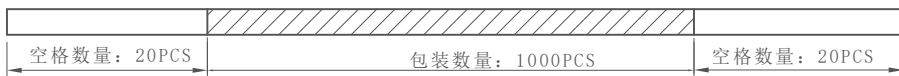
耳机插座



NOTES:

1. PRIMARY PACKING: 1000 PCS/REEL;
2. SECONDARY PACKING: 10 REELS/CARTON (10,000 PCS/CARTON);

USER DIRECTION OF UNREELING



UNLESS OTHERWISE SPECIFIED TOLERANCES

XB 东莞市溪榜电子有限公司
DONG GUAN XI BANG ELECTRONICS CO., LTD.

DECIMALS:		ANGLES:		DESIGN:	Tony	PART NAME: Φ3.5 AUDIO JACK -包装图
DIM	TOL	DIM	TOL		2023.5.31	
X.	±0.50	X.	±2°	CHECK:		PART NO. XB-PJ03508-1171-00000H
X.X	±0.30	X.X	±1°			
X.XX	±0.20	X.XX	—	APPROVED	Andy	SHEET: 1/1
X.XXX	±0.10	X.XXX	—		2023.5.31	REV.: A1
3RD ANGLE PROJECTION				UNIT:	mm	DRAWING NO

REV.	ECN NO.	DESCRIPTION	DESIGN	DATE
------	---------	-------------	--------	------

8

7

6

5

4

3

2

1

F

E

D

C

B

A