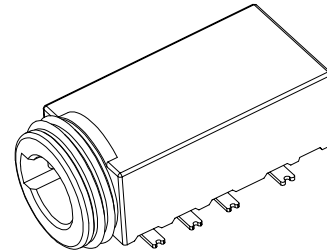
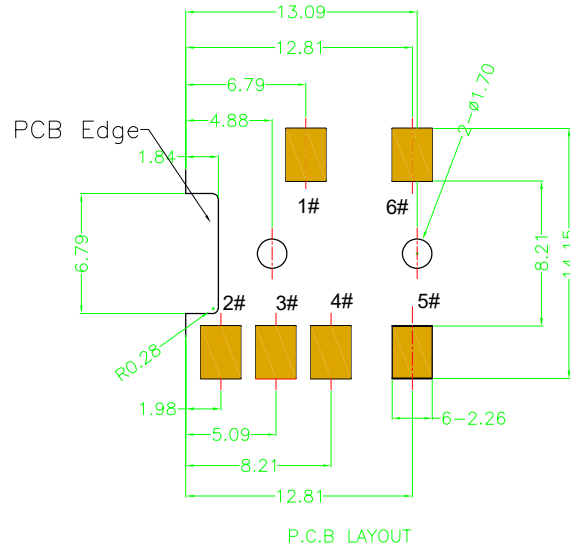
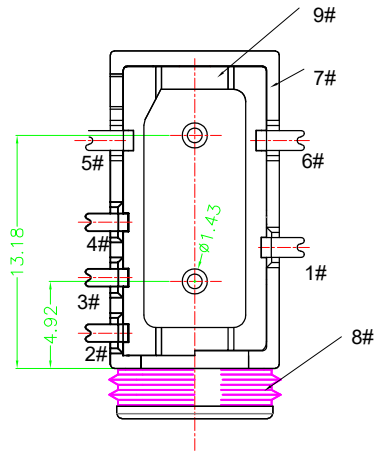


RoHS
Compliant

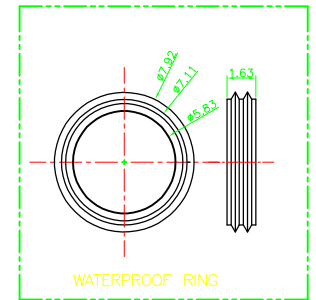
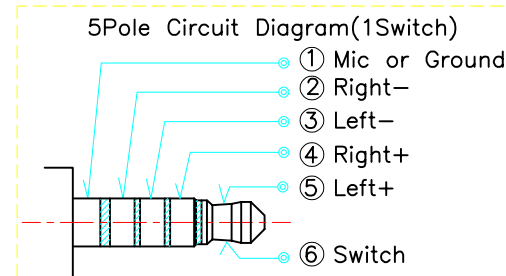
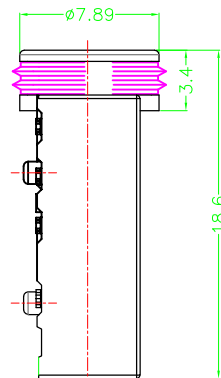
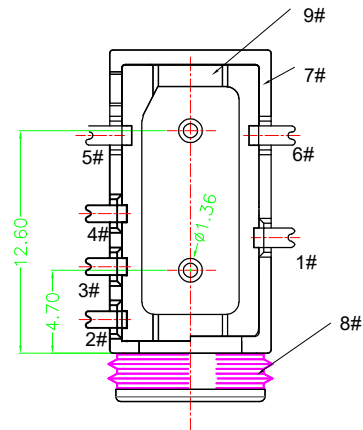
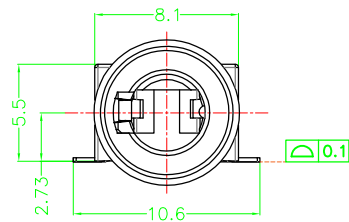
IPX7 防水

ZONE	SYMBOL	REVISION	APPROVAL DATE
A		INITIAL	Lucky 06/20/20'



NOTES

- CURRENT RATING: 1A.
- CONTACT RESISTANCE: 100mΩ MAX.;
- INSULATION RESISTANCE: 100MΩ MIN.;
- DIELECTRIC WITHSTANDING: 500V AC MIN.;
- DURABILITY: 5,000 CYCLES MIN.;
- CONNECTOR MATING FORCES: 30N MAX.;
- CONNECTOR UNMATING FORCES: 3N MIN.;
- TERPROOF LEVEL: IP67;



9	COVER	1	HIGH TEMPERATURE PLASTIC; COLOR BLACK	
8	WATERPROOF RING	1	SILICA GEL	
7	HOUSING	1	HIGH TEMPERATURE PLASTIC; COLOR BLACK	
6	TERMINAL 6#	1	STAINLESS STEEL; NICKEL UNDERPLATING OVERALL, GOLD FLASH PLATING ON SOLDER & CONTACT AREA	T=0.20mm
5	TERMINAL 5#	1	STAINLESS STEEL; NICKEL UNDERPLATING OVERALL, GOLD FLASH PLATING ON SOLDER & CONTACT AREA	T=0.20mm
4	TERMINAL 4#	1	COPPER ALLOY; NICKEL UNDERPLATING OVERALL, GOLD FLASH PLATING ON SOLDER & CONTACT AREA	T=0.20mm
3	TERMINAL 3#	1	COPPER ALLOY; NICKEL UNDERPLATING OVERALL, GOLD FLASH PLATING ON SOLDER & CONTACT AREA	T=0.20mm
2	TERMINAL 2#	1	COPPER ALLOY; NICKEL UNDERPLATING OVERALL, GOLD FLASH PLATING ON SOLDER & CONTACT AREA	T=0.20mm
1	TERMINAL 1#	1	STAINLESS STEEL; NICKEL UNDERPLATING OVERALL, GOLD FLASH PLATING ON SOLDER & CONTACT AREA	T=0.20mm
ITEM	NAME	Q'TY	DESCRIPTION	NOTE

XB 东莞市溪榜电子有限公司
DONG GUAN XI BANG ELECTRONICS CO., LTD.

DRAWING:	XB	DATE:	2020.20.06	SCALE:	5:1
CHECK:	SJ	DATE:	2020.20.06	MATERIAL:	*
APPROVAL:		DATE:	2020.20.06	DWG. NO.:	A
DRAWING NO.:	XB-23015-06SBAP-A	SHEET:	1/1		

PART NAME	五段防水耳机插座	TOLERANCE UNLESS	0.0±0.2	UNIT:
PART NO.	XB-23015-06SBAP-A	OTHERWISE SPECIFIED:	0.00±0.1 0.000±0.05	