

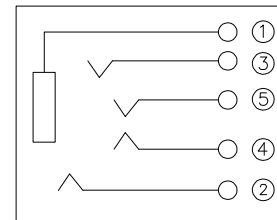
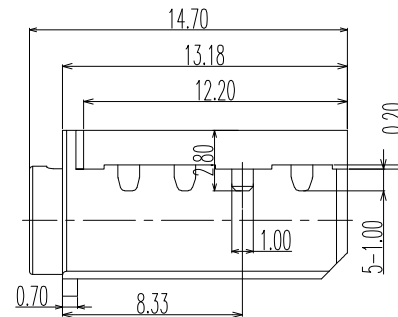
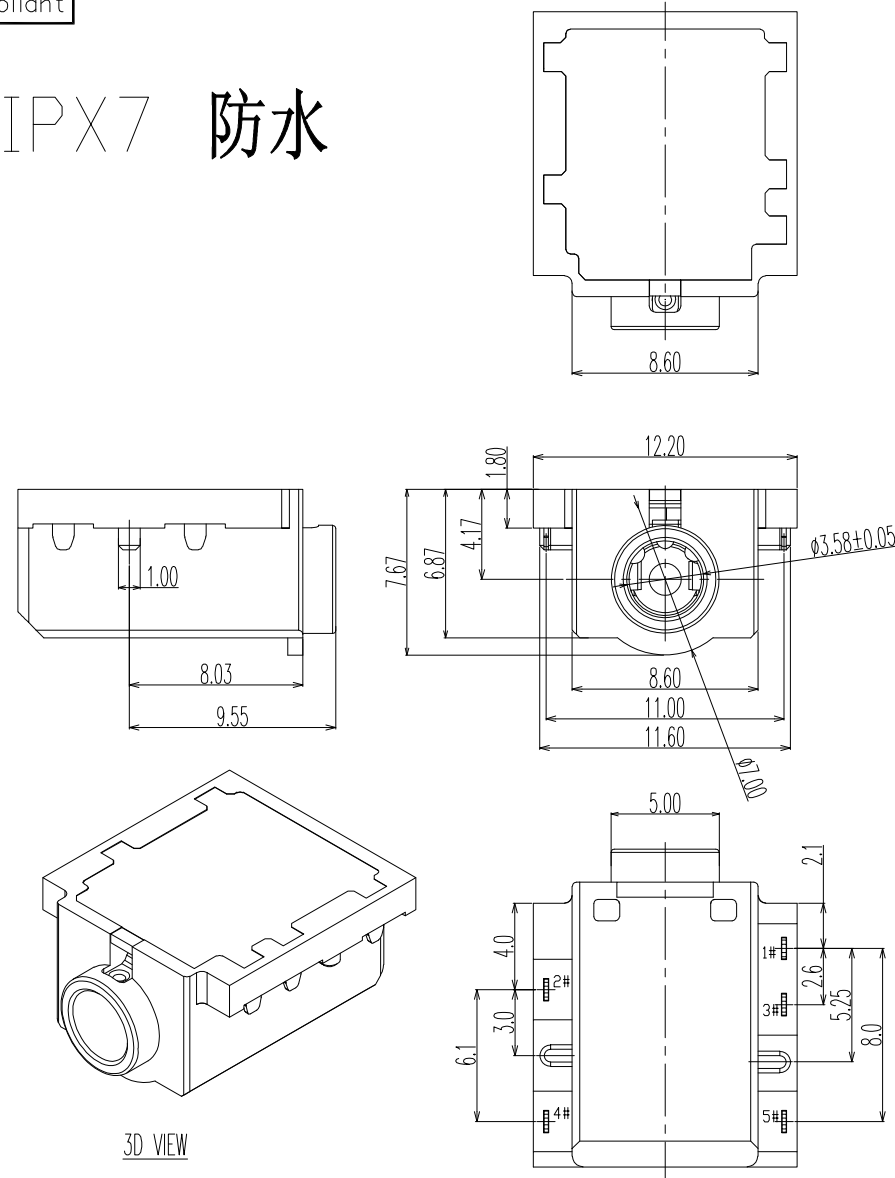
RoHS
Compliant

ZONE	SYMBOL	REVISION	APPROVAL	DATE
A		INITIAL	Lucky	06/20/20'

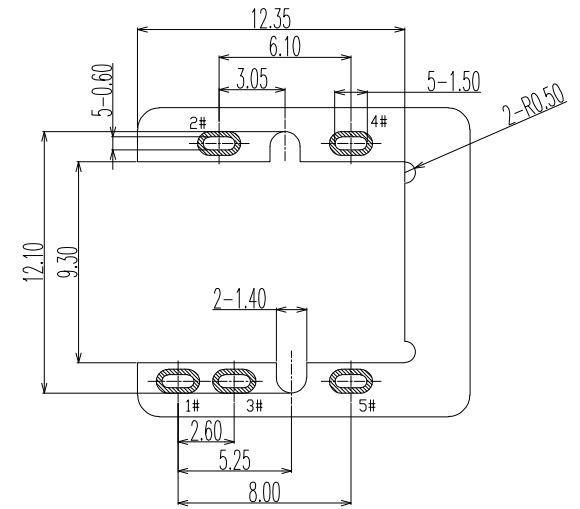
IPX7 防水

NOTES:

- CONTACT CURRENT RATING: 1A.
- CONTACT RESISTANCE: 50 mΩ MAX.;
- INSULATION RESISTANCE: 1000Ω MIN.;
- DIELECTRIC WITHSTANDING: 500V AC MIN.;
- DURABILITY: 20,000 CYCLES MIN.;
- CONNECTOR MATING FORCES: 30N MAX.;
- CONNECTOR UNMATING FORCES: 3N MIN.;
- TERPROOF LEVEL: IP67.;



SCHEMATIC



P.C.B LAYOUT
TOP VIEW

⑦	Contact_5	⑤	1	SPECIFICATIONS	NICKEL UNDER PLATING OVERALL GOLD FLASH PLATING ON SOLDER AREA ;GOLD FLASH PLATING ON CONTACT AREA	T=0.20mm
⑥	Contact_4	④	1	SPECIFICATIONS		T=0.20mm
⑤	Contact_3	③	1	SPECIFICATIONS		T=0.20mm
④	Contact_2	②	1	SPECIFICATIONS		T=0.20mm
③	Contact_1	①	1	SPECIFICATIONS		T=0.20mm
②	Separator		1	HIGH TEMP	BLACK,UL94V-0	
①	Housing		1	HIGH TEMP	BLACK,UL94V-0	
NO.	PART NAME	QTY		MATERIAL	DESCRIPTION	REMARK

XB 东莞市溪榜电子有限公司
DONG GUAN XI BANG ELECTRONICS CO., LTD.

PART NAME	3.5mm STEREO JACK	TOLERANCE UNLESS	0.0±0.2	UNIT: mm	
PART NO.	XB-23007-05DBAP-A	OTHERWISE SPECIFIED:	0.00±0.1 0.000±0.05		

DRAWING:	Lucky	DATE:	2020.20.06	SCALE	5:1
CHECK:	liao Y K	DATE:	2020.20.06	MATERIAL	*
APPROVAL:	Abel	DATE:	2020.20.06	DWG. no.	A
DRAWING NO.	XB-1843-CP-001			SHEET	1/1