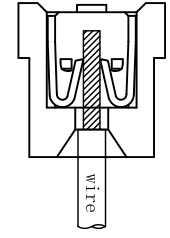
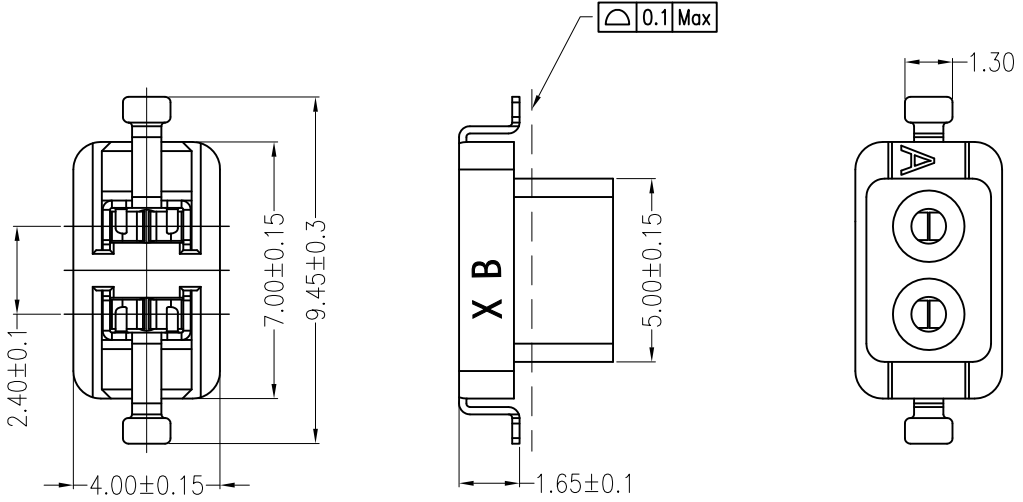
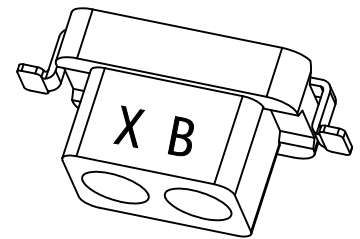


REV	DESCRIPTION	DESIGN	DATE
A0	NEW RELEASE	蒋建银	2019/11/13

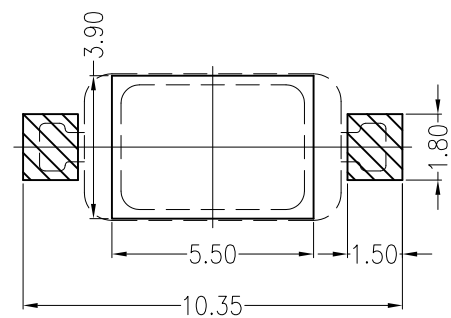
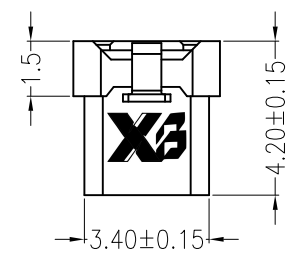


Assembly Layout



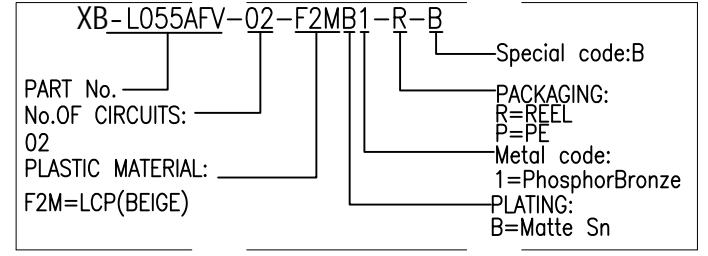
Specifications:

- Contact resistance: $\leq 20m\Omega$
- Insulation resistance: $\geq 1000M\Omega$
- Rated voltage: 275V AC DC
- Rated current: 1.0A AC DC
- Withstand Voltage: 1500V AC/minute
- Temperature Range: $-40^{\circ}C \sim +120^{\circ}C$
- Housing: LCP UL94V-0, Natural (Beige)
- Contacts: Phosphor Bronze/Matte Sn-plated



Board Layout
General Tolerance: ± 0.05

ORDER INFORMATION:



东莞市溪榜电子有限公司 Switch Connector DONG GUAN XI BANG ELECTRONICS CO., LTD		TITLE: 2.5mmPITCH 180°WAFER SMT TYPE	
		PART NO.: L055AFV-02-F2MB1-R-B	
GENERAL TOLERANCE X. ± 0.50 X. $\pm 5^{\circ}$ X.X ± 0.30 X.X $\pm 2^{\circ}$ X.XX ± 0.20 X.XX $\pm 1^{\circ}$		USE: CUSTOMER	DWG NO.:
UNITS: mm		APPD: 刘振岭	SCALE 1 : 1
		CHKD: 王亮	SHEET 1 / 1
		DR: 蒋建银	