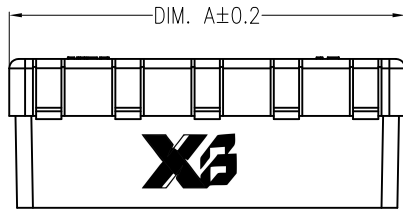
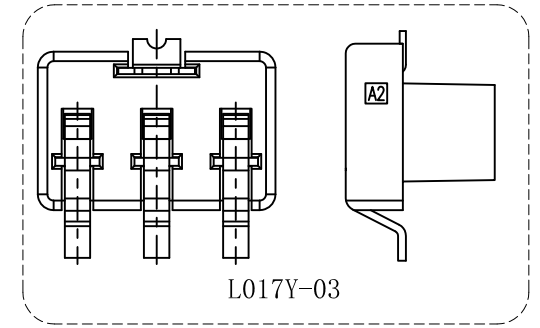
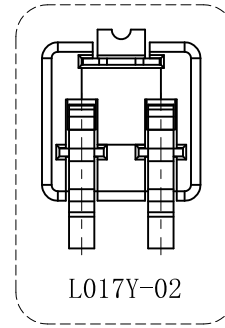
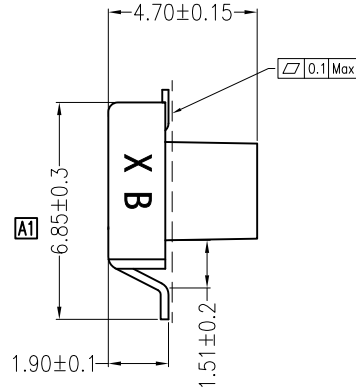
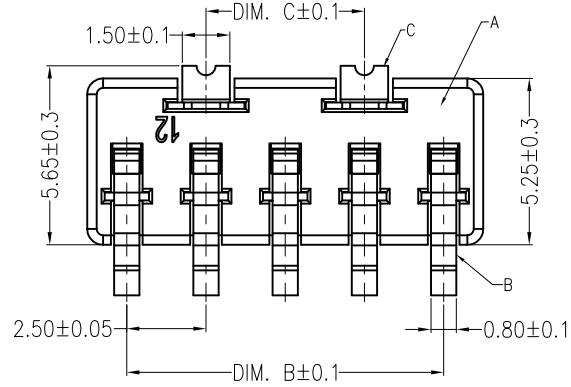
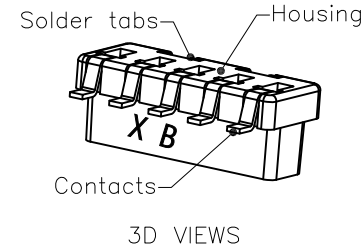


| REV | DESCRIPTION                         | DESIGN       | DATE       |
|-----|-------------------------------------|--------------|------------|
| A0  | NEW RELEASE                         | Wudanping    | 2016/04/30 |
| A1  | Change the size                     | Jiangjianyin | 2018/05/25 |
| A2  | Change the position of 3 holes LOGO | Fangsongle   | 2020/07/08 |

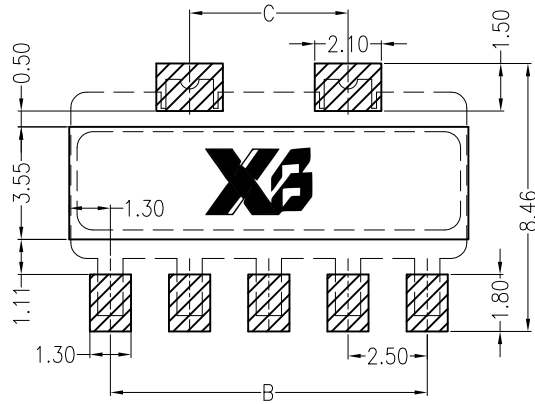


| Circuit  | Dimensions (mm) |        |        |
|----------|-----------------|--------|--------|
|          | DIM. A          | DIM. B | DIM. C |
| L017Y-02 | 5.00            | 2.50   |        |
| L017Y-03 | 7.50            | 5.00   |        |
| L017Y-04 | 10.00           | 7.50   | 5.00   |
| L017Y-05 | 12.50           | 10.00  | 5.00   |
| L017Y-06 | 15.00           | 12.50  | 5.00   |

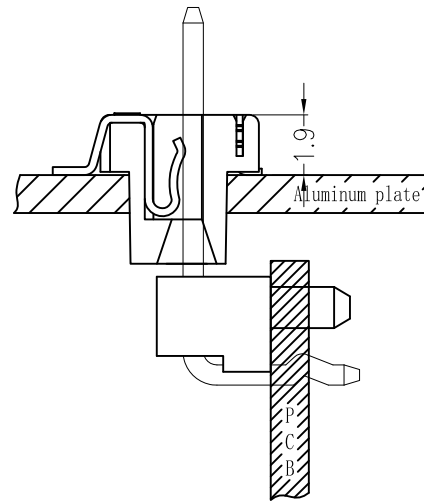


**Specifications:**

- Contact resistance:  $\leq 20m\Omega$
- Insulation resistance:  $\geq 1000M\Omega$
- Rated voltage: 125V AC DC
- Rated current: 1.0A AC DC
- Withstand voltage: 1000V AC/minute
- Temperature range:  $-40^{\circ}C \sim +130^{\circ}C$
- Housing: LCP UL94V-0, Natural
- Contacts: Phosphor bronze/Matte Sn
- Solder tabs: Phosphor bronze/Matte Sn

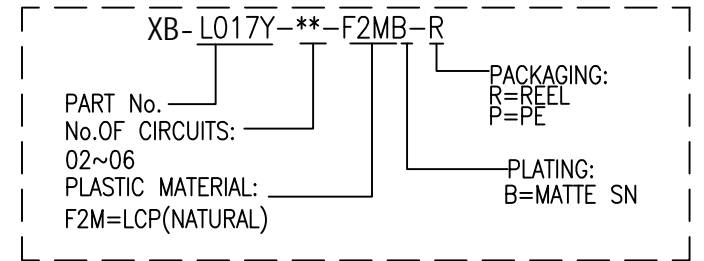


SUGGESTED PCB LAYOUT



Assembly Layout

**ORDER INFORMATION:**



| 东莞市溪榜电子有限公司<br><small>Switch Connector DONG GUAN XI BANG ELECTRONICS CO., LTD</small> |                      |                    |  | TITLE:<br>2.5mmPITCH 180°WAFER SMT TYPE |       |
|---|----------------------|--------------------|--|---|-------|
| GENERAL TOLERANCE   |                      | USE:               |  | PART NO.:                               |       |
| X. $\pm 0.50$   | X. $\pm 5^{\circ}$   | CUSTOMER           |  | L017Y-**-F2MB-R                         |       |
| X.X $\pm 0.30$  | X.X $\pm 2^{\circ}$  | APPD: Shaojinghe   |  | DWG NO.:                                |       |
| X.XX $\pm 0.20$   | X.XX $\pm 1^{\circ}$ | CHKD: Zenglingqing |  | GCKH-0034                               |       |
| UNITS: mm   |                      | DR: Jiangjianyin   |  | SCALE                                   | SHEET |
|   |                      |                    |  | 1 : 1                                   | 1 / 1 |