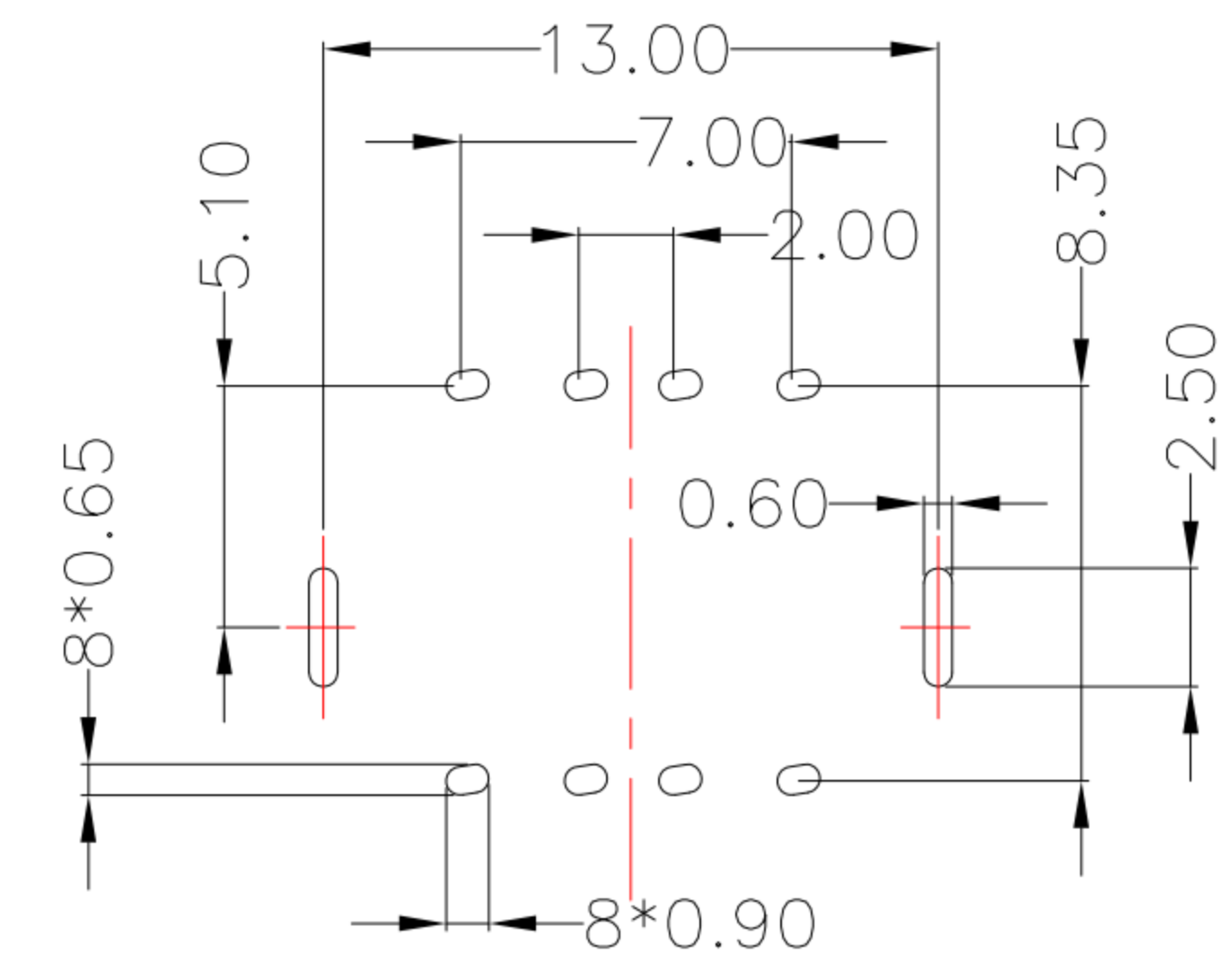




SUA-210V2CI-x-S236

COLOR :

Black : B
White : W



RECOMMENDED PCB LAYOUT

SPECIFICATIONS

Electrical:

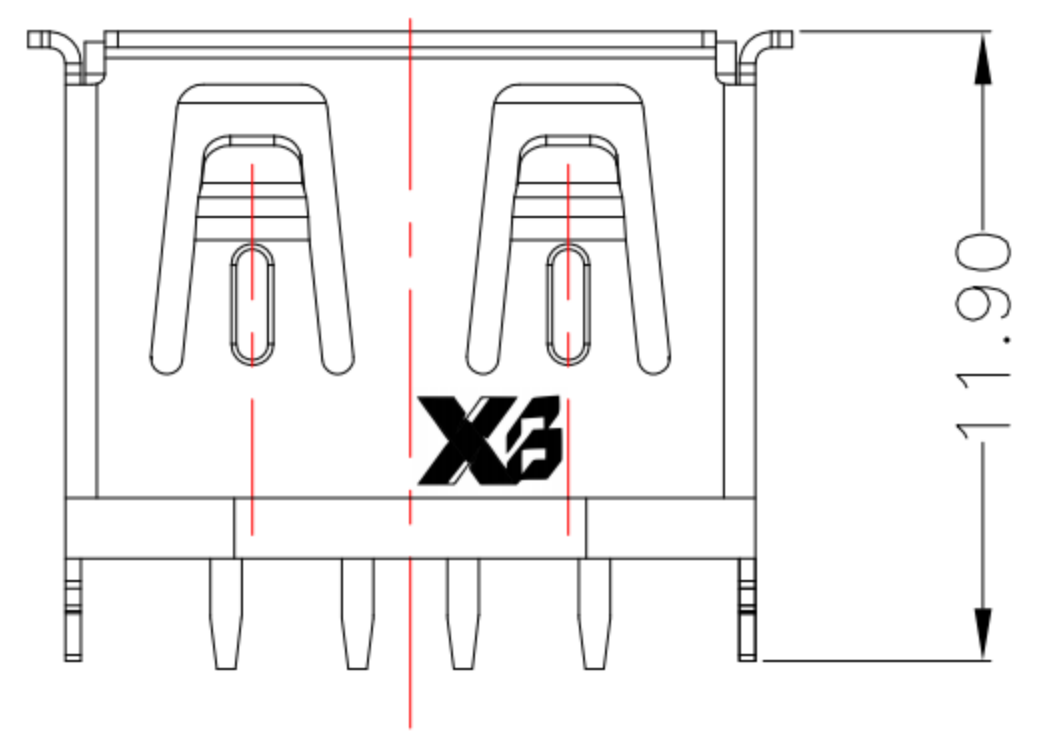
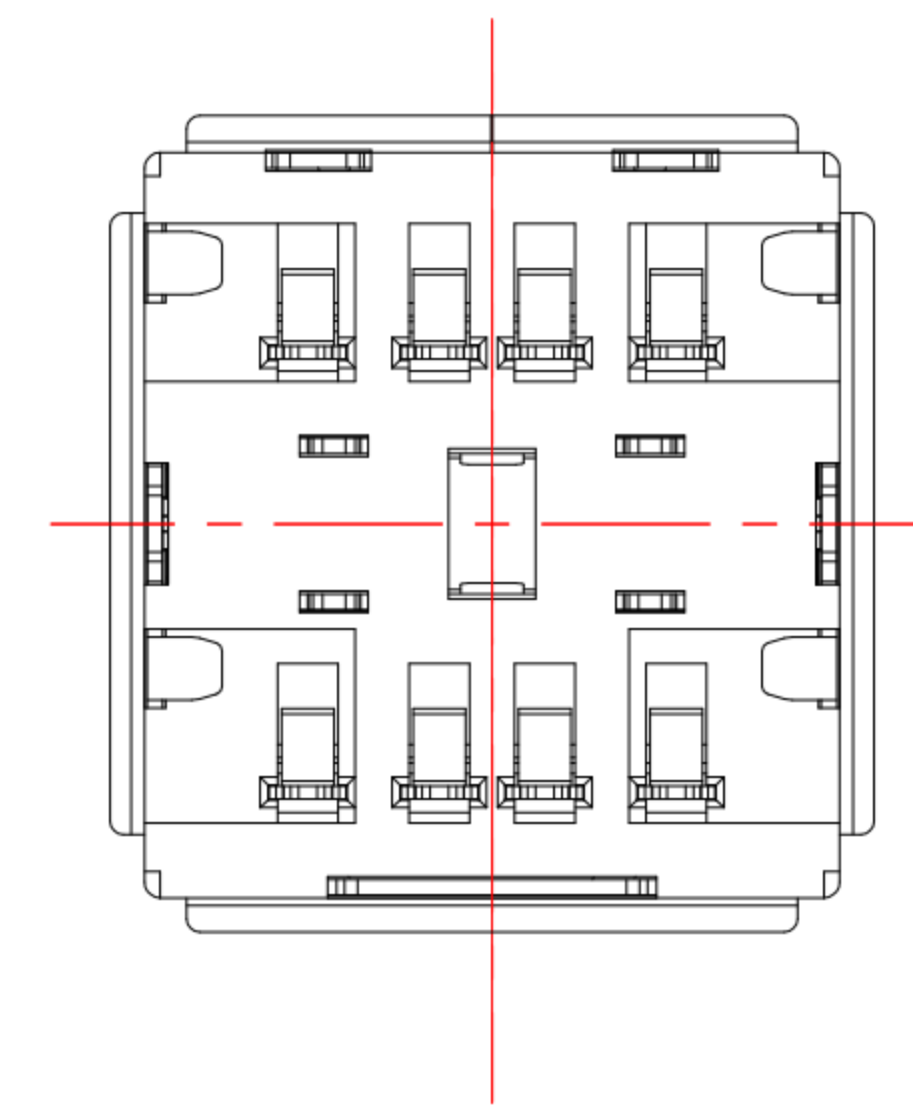
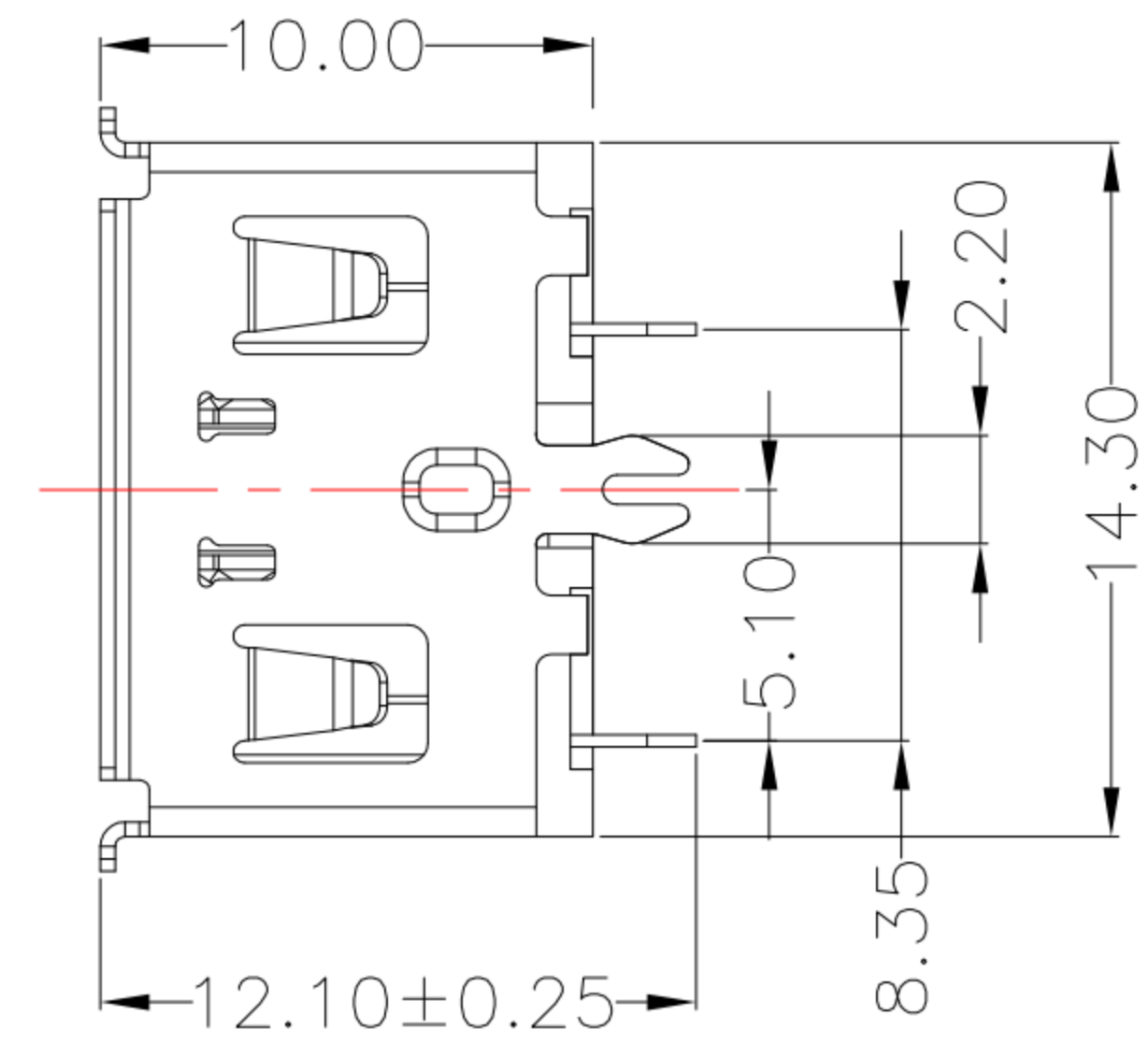
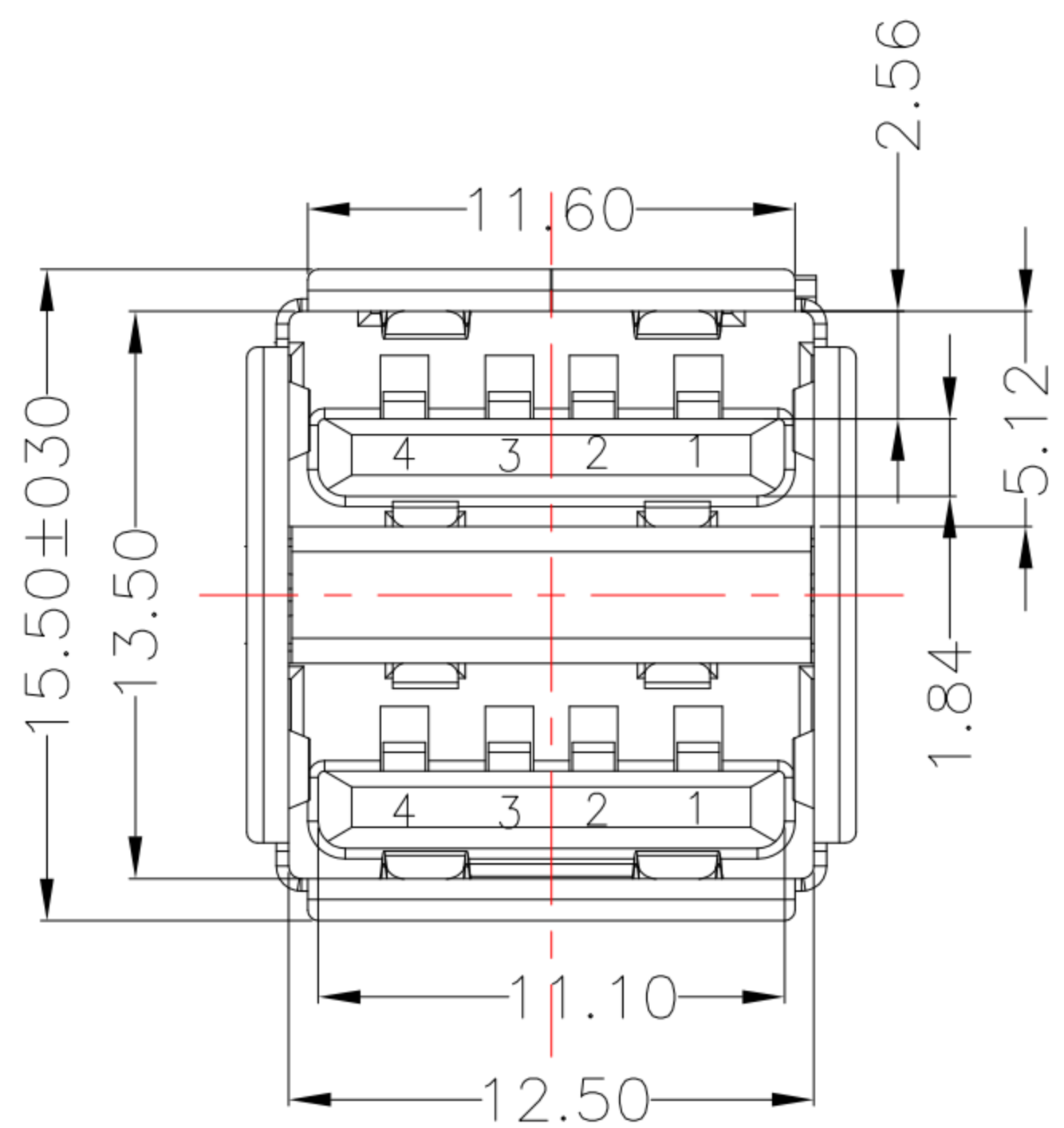
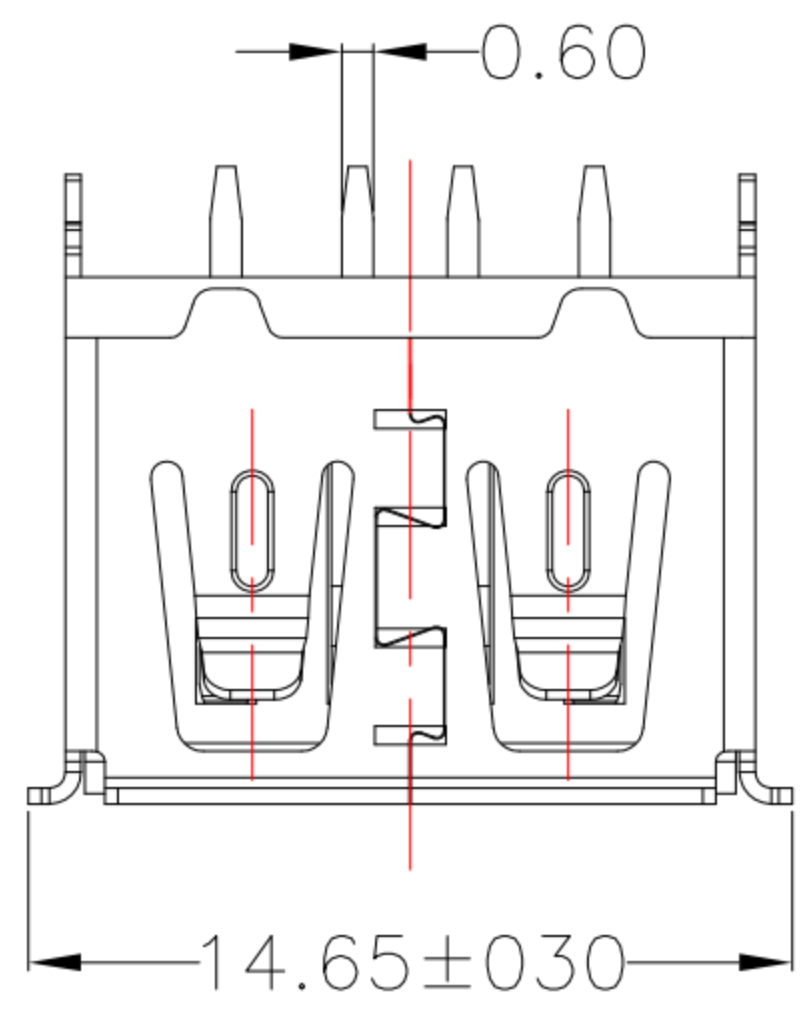
- Contact Resistance: 30 mΩ Max
- Insulation Resistance: 1,000 MΩ Min
- Dielectric Withstanding Voltage: 500V AC
- Mating Force: 35N Max
- Umating Force: 10N Min

Material:

- Housing: PBT
- Contact: Brass
- Shell: Spcc

Finish:

- Contact: Plated Gold in Mating Area ;
Tin Plated on Solder Balls ;
Nickel under plated overall
- Shell: Nickel under Plated surface layer



XGB 东莞市溪榜电子有限公司
Switch Connector DONG GUAN XI BANG ELECTRONICS CO., LTD

TOLERANCE UNLESS OTHERWISE STATED :	Up to 5 ±0.2	3RD. ANGEL'S	UNITS	MM
	Above 5 ~ 15 ±0.3			
	Above 15 ~ 30 ±0.4			
	Above 30 ~ 50 ±0.5			
	Angle ±0.3°			

DRAWN BY:	DATE	MAT'L	TITLE	CONNECTOR
Jack Lu	09/17/20			
CHECKED BY:	DATE	FINISH	MODLE	USB AF 180度 直立式短體10.0有捲邊 雙層
Jacky Chen	09/17/20			
APPROVED BY:	DATE	SCALE	DWG NO.	SUA-210V2CI-x-S236
Tony Kao	09/17/20	1 : 1		
		SHEET NO.	PART NO.	SUA-210V2CI-x-S236
		1 of 1		

ITEM NO.	DESCRIPTION	DRAWN	DATE