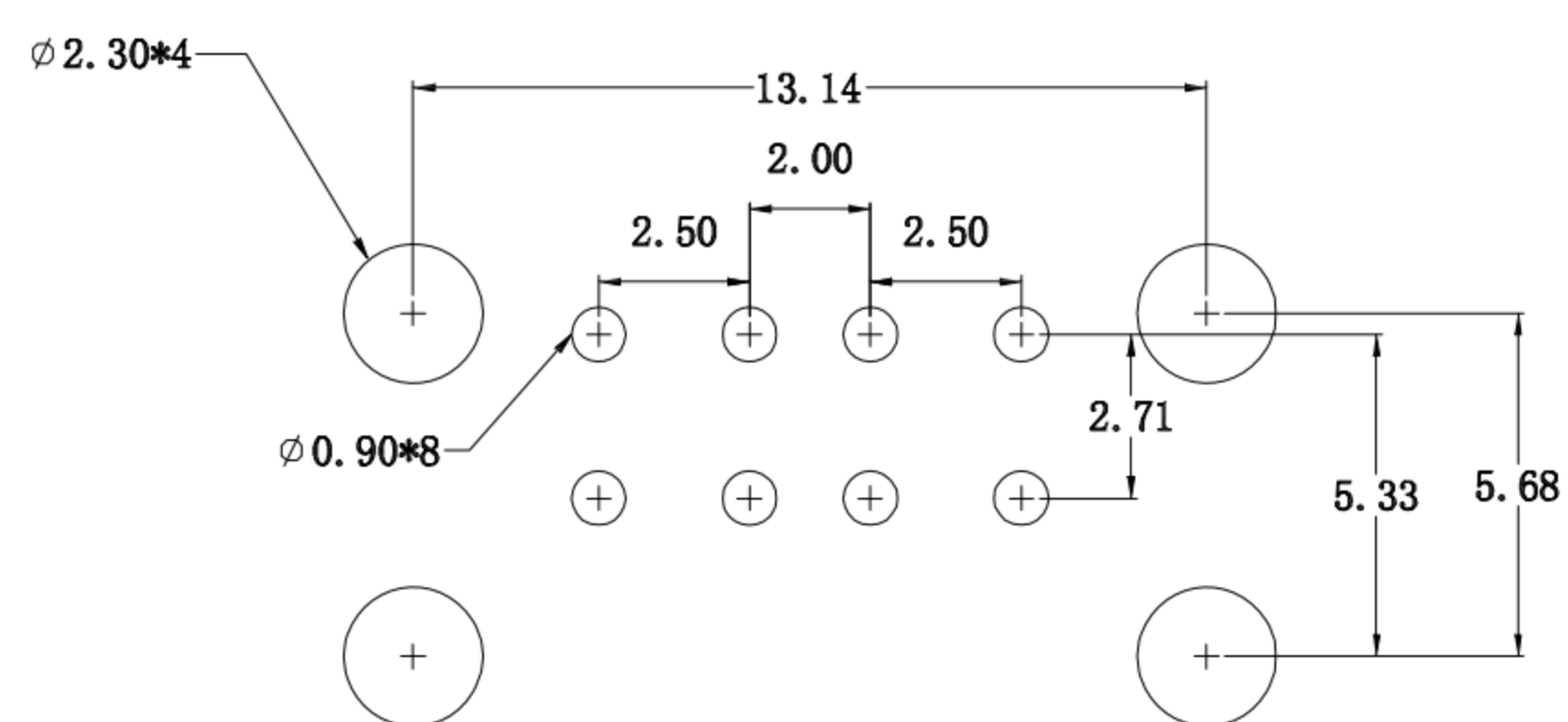
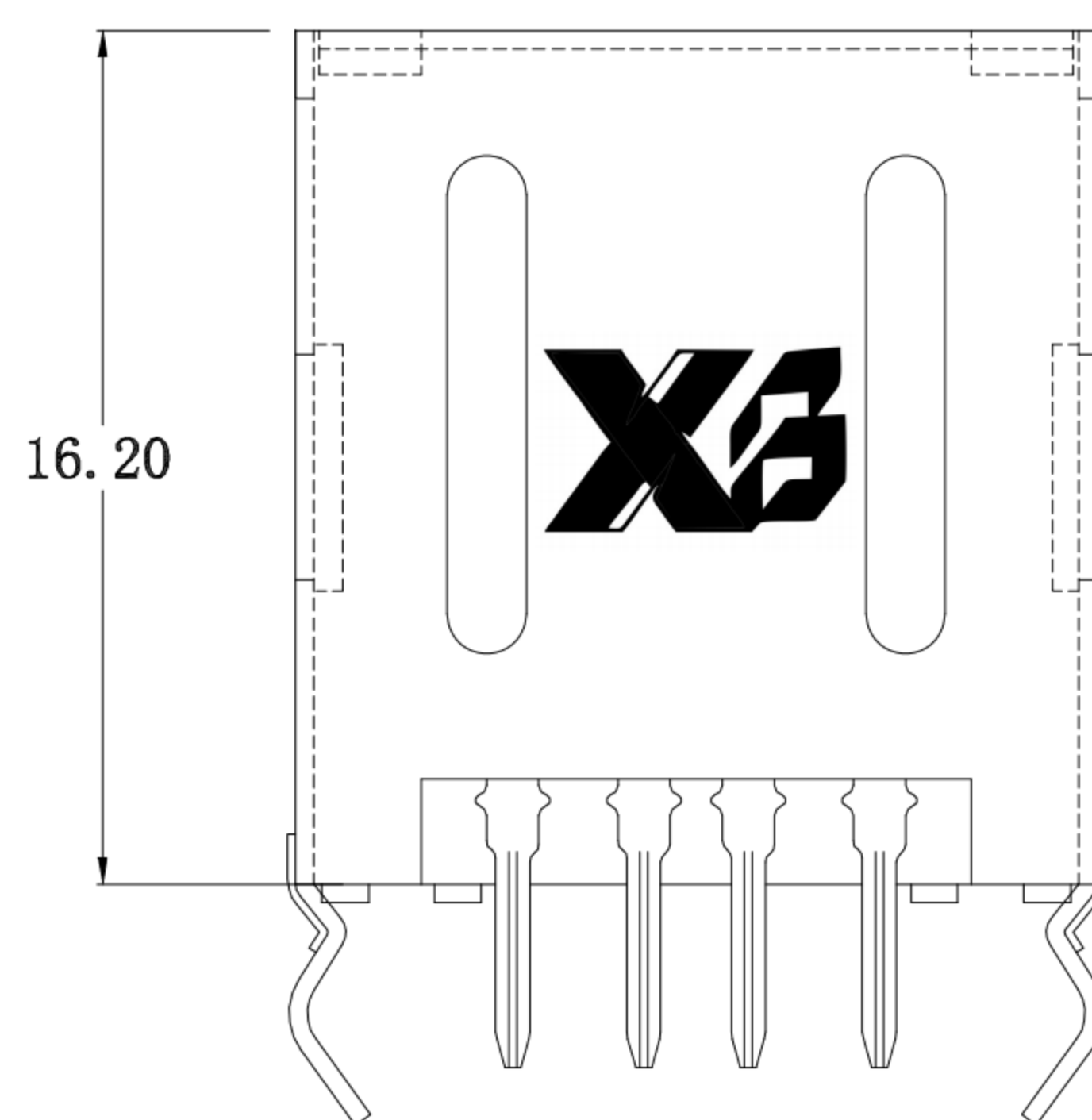
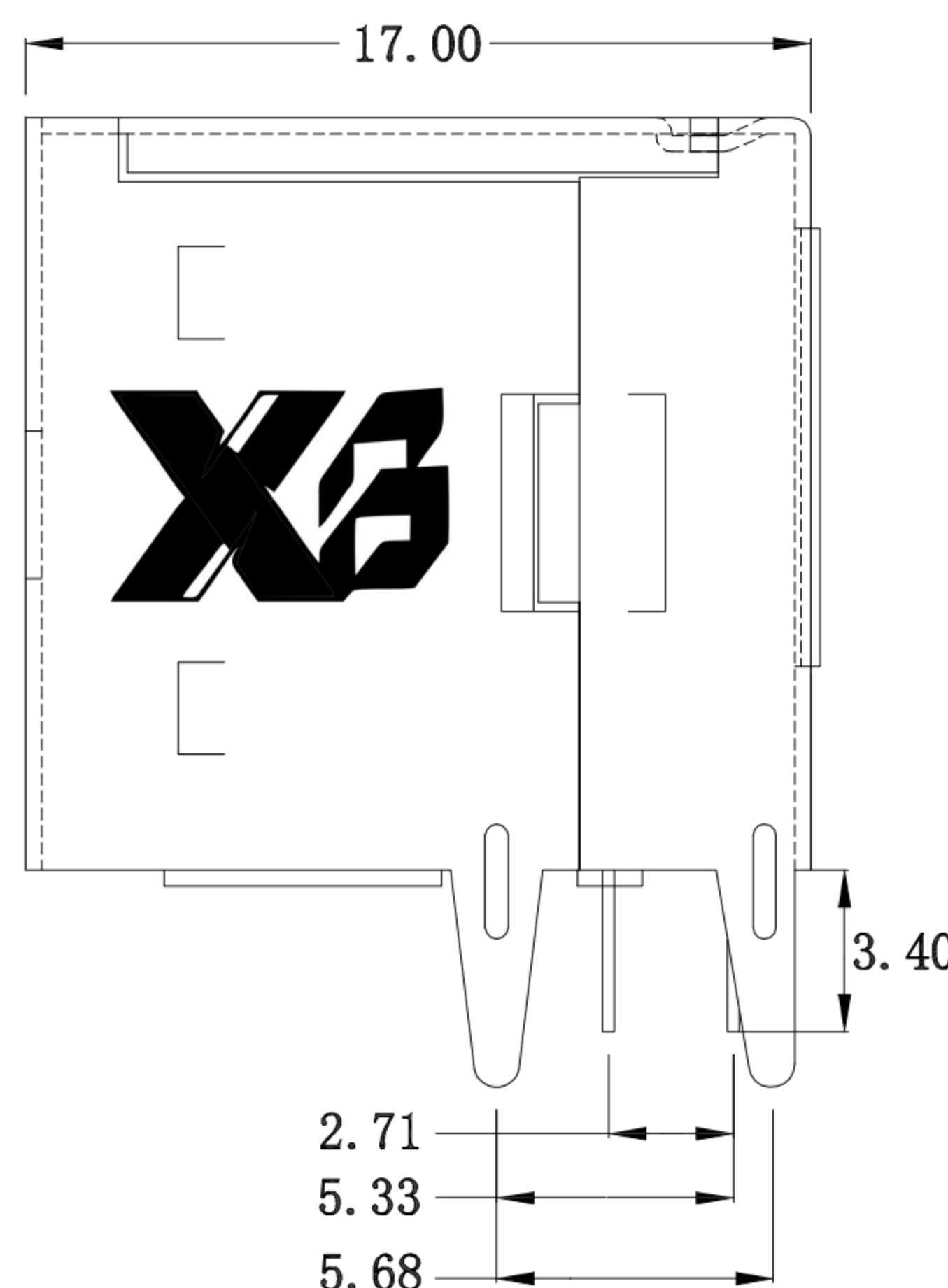
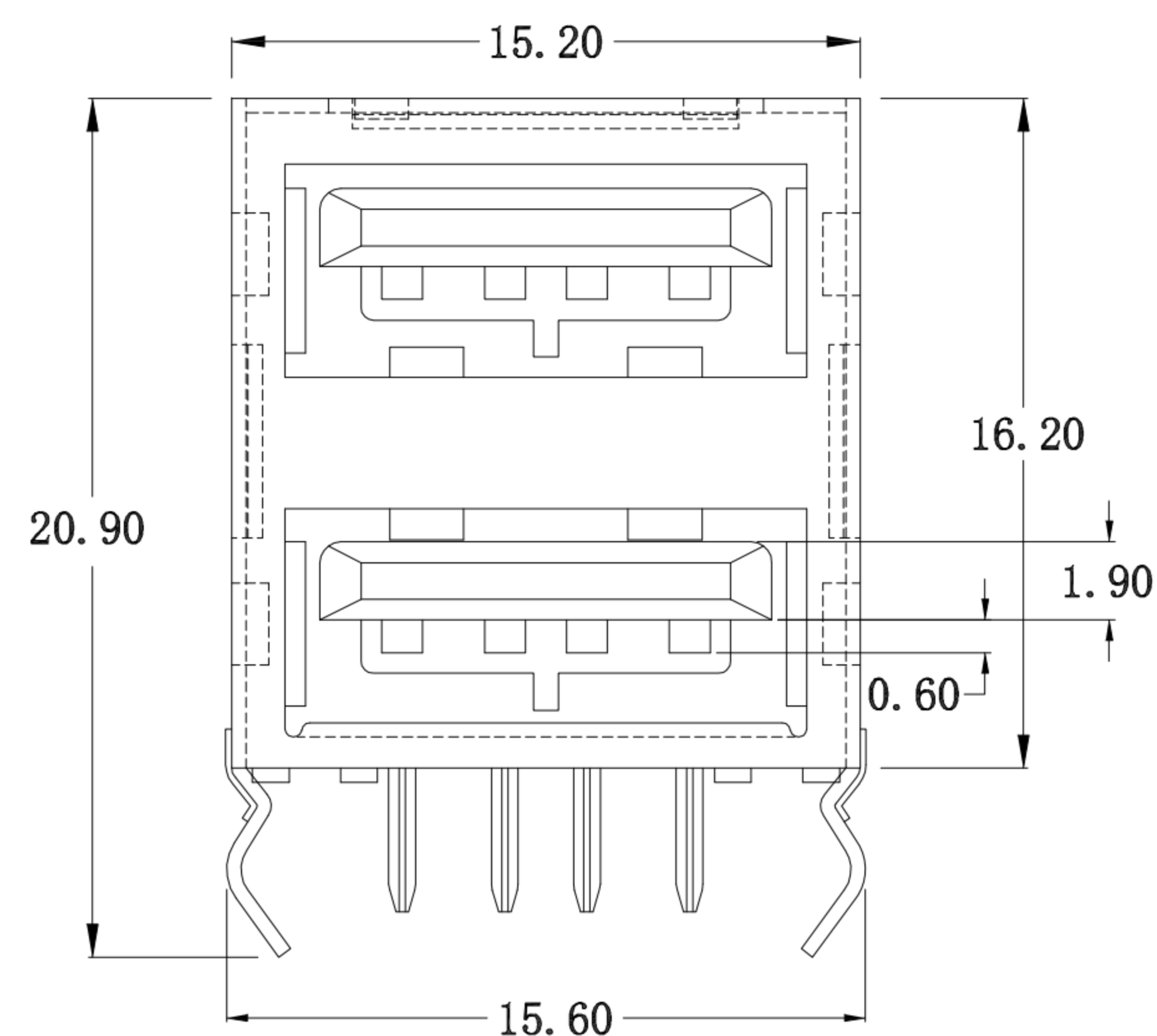




# SUA-210H-x-S175

Color
White : W
Black : B



P.C.B LAYOUT MOUNTING PATTERN

NOTE:

1.MATERIAL:

- a.HOUSING:PBT GLASS FIBRE UL94 V-0 ;
- b.CONTACT: PHOSPHOR BRONZE ;  
(SURFACE PLATING: Au + Sn + Ni )
- c.SHEEL: SPCC ;  
(SURFACE PLATING: Cu / Ni)

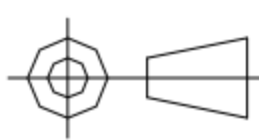
2.ELECTRIC:

- a.CONTACT RESISTANCE: 30 MILLIOHMS MAX
- b.INSULATION RESISTANCE: 1,000 MEGA OHMS MIN
- c.DIELECTNIC VOLTAGE: 500V AC ONE MIN LEVEL
- d.OPERATING TEMPERATURE: -55°C~ 85°C

**XGB** 东莞市溪榜电子有限公司  
Switch Connector DONG GUAN XI BANG ELECTRONICS CO., LTD

TOLERANCE UNLESS OTHERWISE STATED:  
Up to 5 ±0.2  
Above 5 ~ 15 ±0.3  
Above 15 ~ 30 ±0.4  
Above 30 ~ 50 ±0.5  
Angle ±0.3°

3RD. ANGEL'S



UNITS MM

DRAWN BY:	DATE
Jack Lu	10/11/12
CHECKED BY:	DATE
Jacky Chen	10/11/12
APPROVED BY:	DATE
Tony Kao	10/11/12

MAT'L	TITLE	CONNECTOR
FINISH	MODLE	USB AF 雙層全包
SCALE 1 : 1	DWG NO.	SUA-210H-x-S175
SHEET NO. 1 of 1	PART NO.	SUA-210H-x-S175

SIZE A4  
VER R

ITEM NO.	DESCRIPTION	DRAWN	DATE