

P.C.B LAYOUT MOUNTING PATTERN

SPECIFICATIONS

Electrical:

- 1.Voltage Current Rating: 1.5A , 30V AC
- 3.Contact Resistance: 30 mΩ Max
- 4.Dielectric Withstanding Voltage: 500 V AC
- 5.Insulation Resistance: 1,000 MΩ Min

Material:

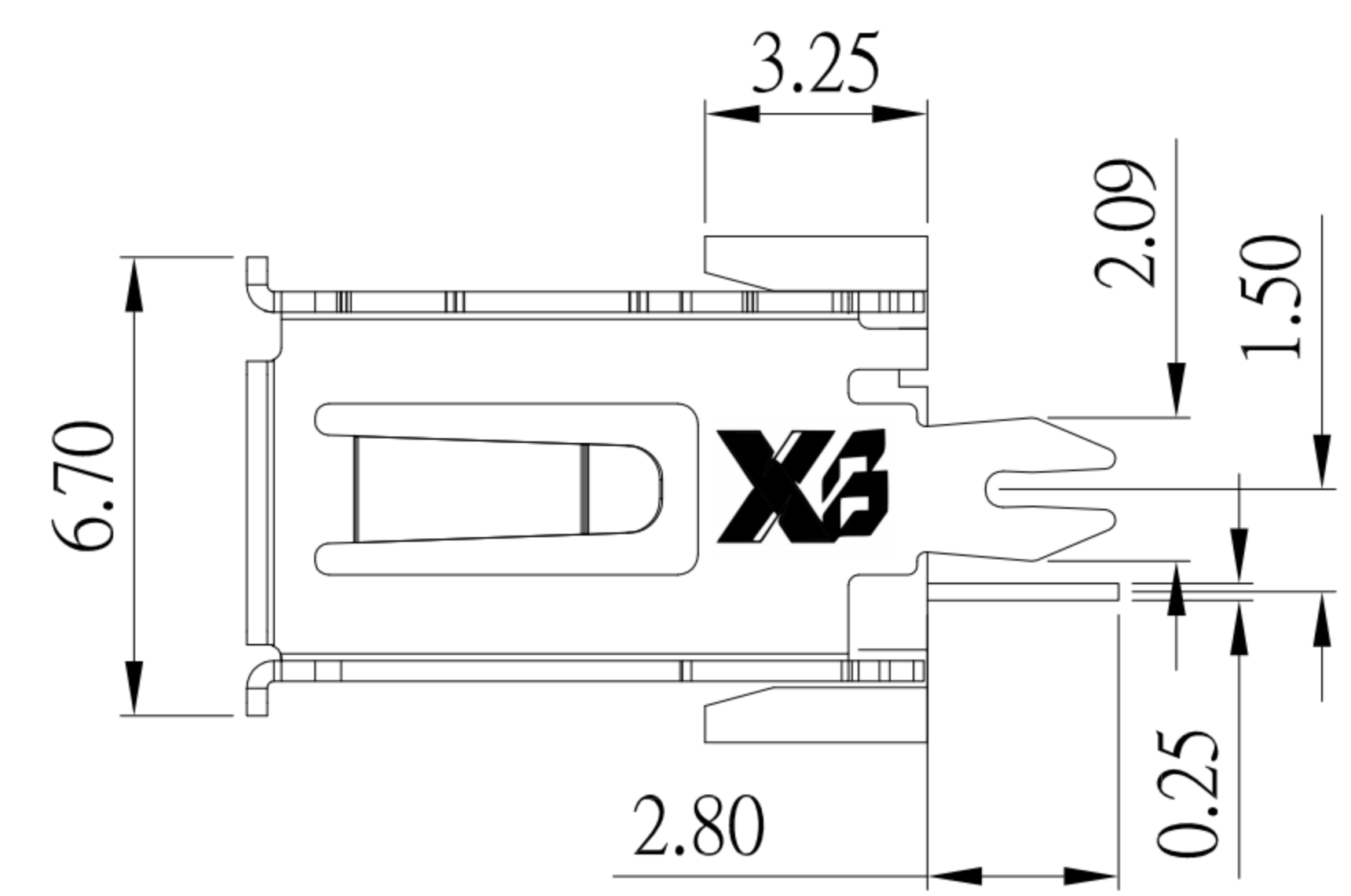
- 1.Housing: PBT
- 2.Contact: Phosphor Bronze
- 3.Shell: Copper Alloy / Spcc

Finish:

- 1.Contact: Plated Gold in Mating Area ;
Tin Plated on Solder Balls ;
Nickel under plated overall
- 2.Shell: Nickel under Plated surface layer

SUA-110V3x-x-S236

SHELL :	COLOR :
Blank : Copper Alloy	Black: B
I : SPCC	White : W



XB 东莞市溪榜电子有限公司
Switch Connector DONG GUAN XI BANG ELECTRONICS CO., LTD

TOLERANCE UNLESS OTHERWISE STATED :	Up to 5 ±0.2	3RD. ANGEL'S	UNITS	MM
	Above 5 ~ 15 ±0.3			
	Above 15 ~ 30 ±0.4			
	Above 30 ~ 50 ±0.5			
	Angle ±0.3°			

DRAWN BY:	DATE	MAT'L	TITLE	CONNECTOR
Jack Lu	10/15/20			
CHECKED BY:	DATE	FINISH	MODLE	USB AF 短體9.95 直立式有捲邊(捲邊 無缺口)
Jacky Chen	10/15/20			
APPROVED BY:	DATE	SCALE	DWG NO.	SUA-110V3x-x-S236
Tony Kao	10/15/20	1 : 1		
		SHEET NO.	PART NO.	SUA-110V3x-x-S236
		1 of 1		

ITEM NO.	DESCRIPTION	DRAWN	DATE