

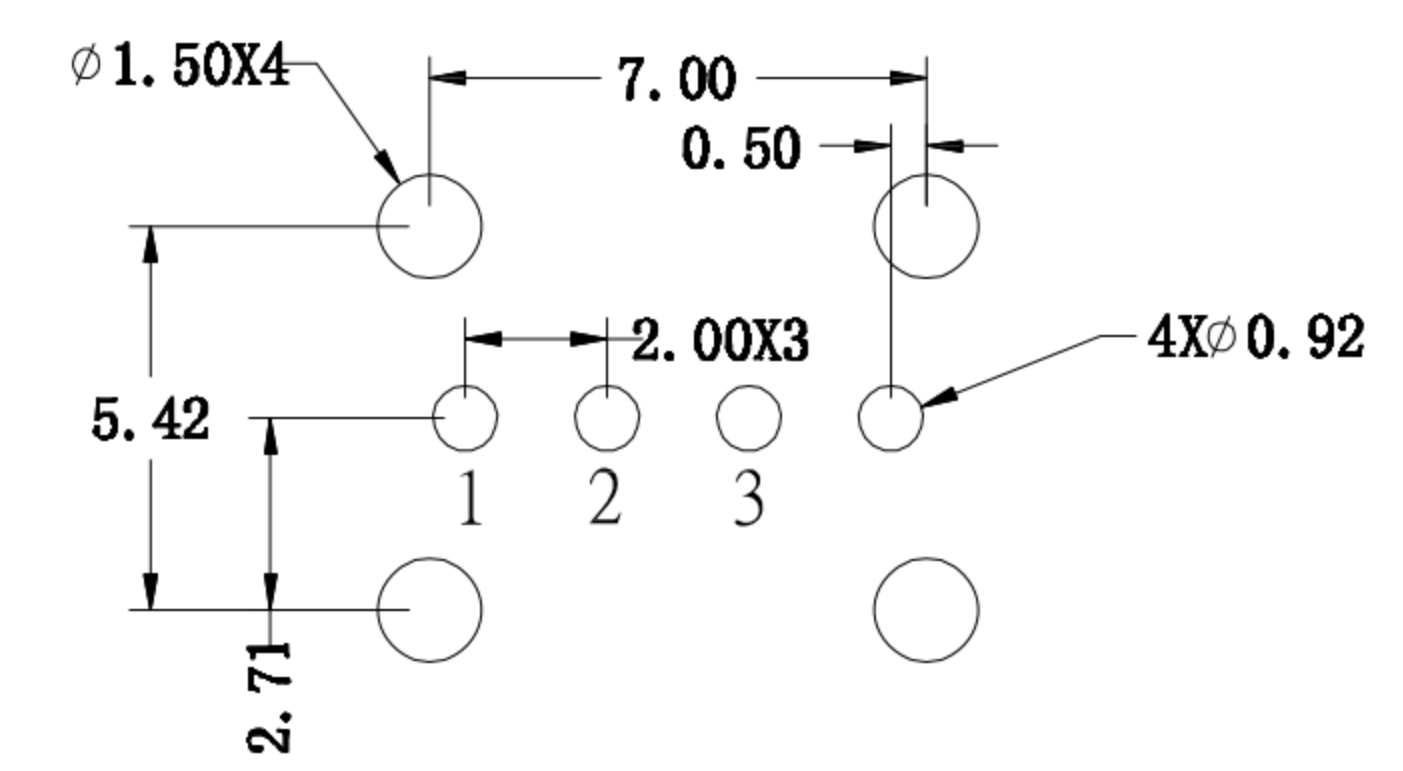
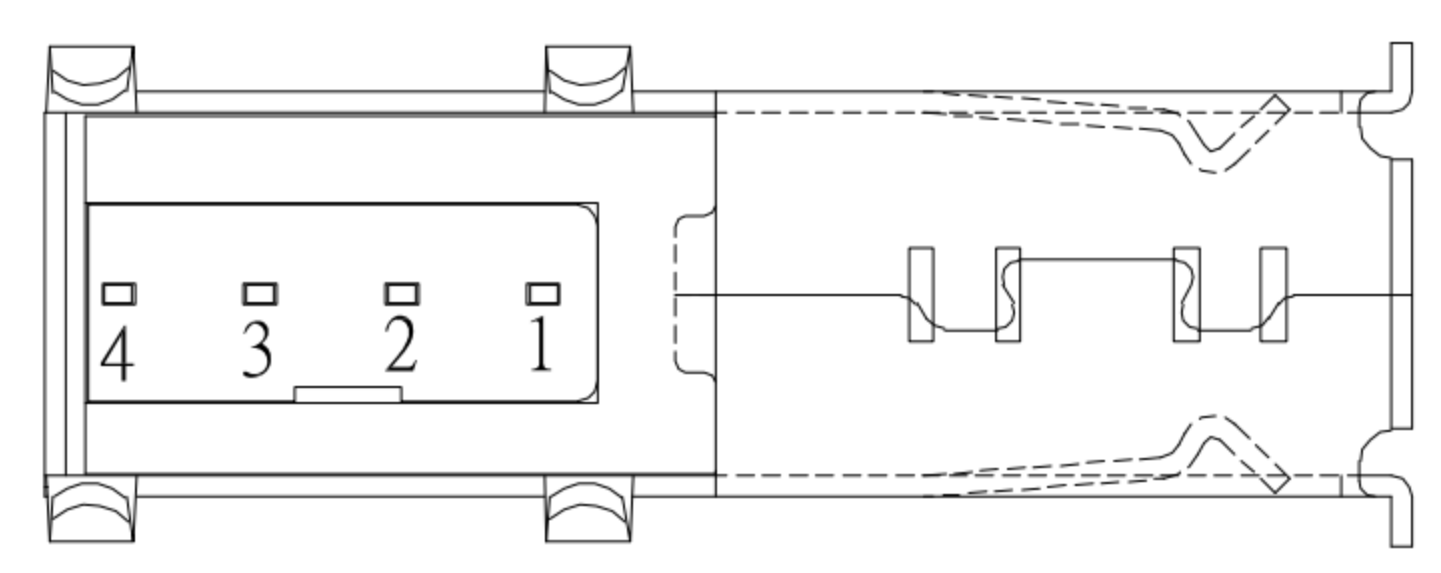
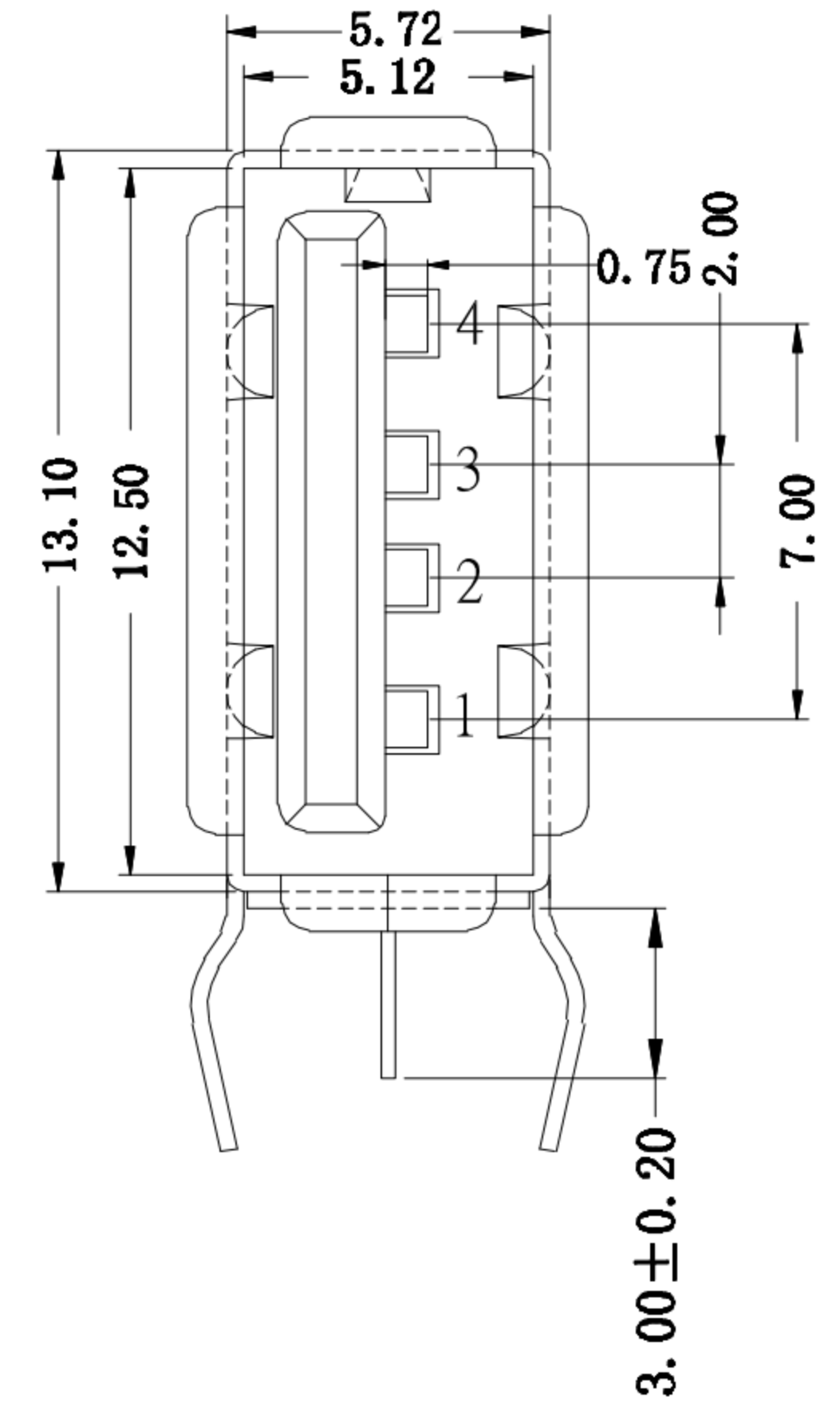
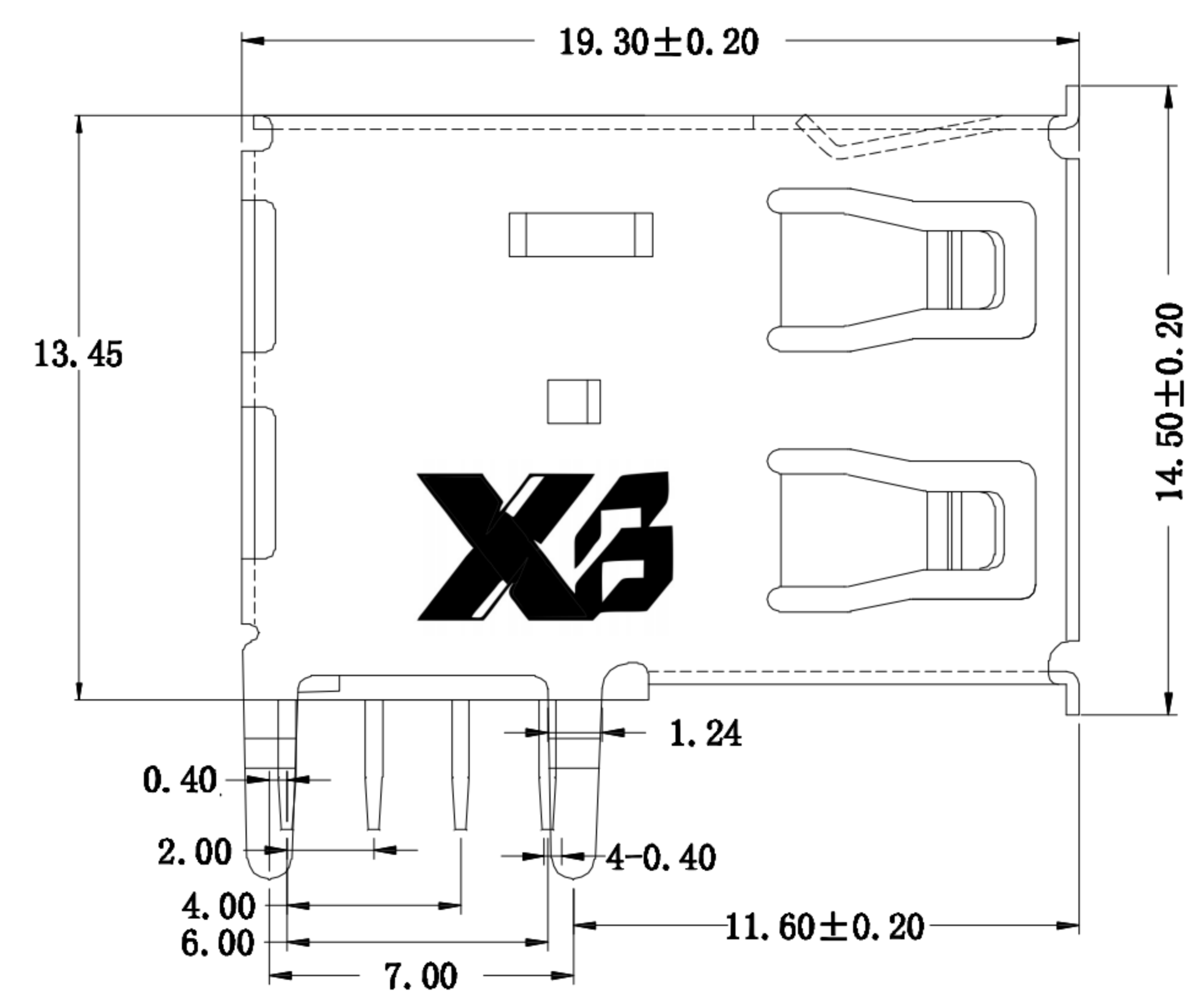
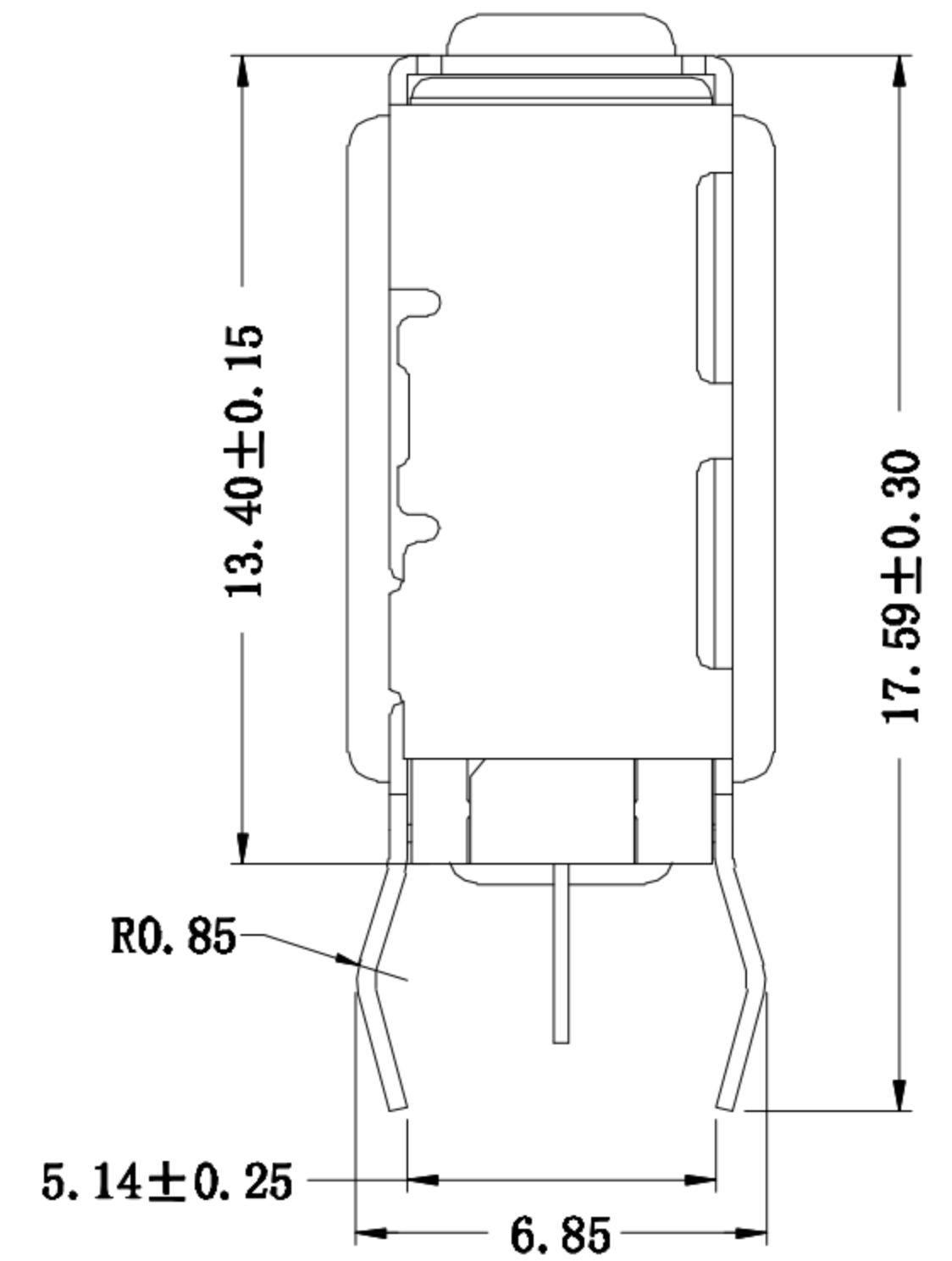
SUA-110PCxx-x-S175

SHELL : ← COLOR :

Blank : BRASS	Black: B
I : SPCC	White : W

鍍層厚度 :

Blank : 1u"
2 : 15u"
3 : 30u"



P.C.B LAYOUT MOUNTING PATTERN

SPECIFICATIONS

- Electrical:**
- 1.Current Rating: 1.5A / contact terminal
 - 2.Voltage Rating: 30 VDC
 - 3.Contact Resistance: 30 mΩ Max
 - 4.Dielectric Withstanding Voltage: 500 V AC AT Sec Level
 - 5.Insulation Resistance: 1,000 MΩ Min
- Material:**
- 1.Housing: PBT
 - 2.Contact: Brass
 - 3.Shell: Spcc / Brass
- Finish:**
- 1.Contact: Plated Gold in Mating Area; Tin on Solder Balls; Nickel under plated overall
 - 2.Shell: Nickel Plating

XB 东莞市溪榜电子有限公司
 Switch Connector DONG GUAN XI BANG ELECTRONICS CO., LTD

TOLERANCE UNLESS OTHERWISE STATED :

Up to 5	±0.2
Above 5 ~ 15	±0.3
Above 15 ~ 30	±0.4
Above 30 ~ 50	±0.5
Angle	±0.3°

3RD. ANGEL'S

DRAWN BY:	DATE	MAT'L	TITLE	CONNECTOR
Jack Lu	04/16/20		MODLE	USB AF 側插 90度 有後蓋 自動機
CHECKED BY:	DATE	FINISH	DWG NO.	SUA-110PCxx-x-S175
Jacky Chen	04/16/20		SCALE	1 : 1
APPROVED BY:	DATE	SHEET NO.	PART NO.	SUA-110PCxx-x-S175
Tony Kao	04/16/20	1 of 1	SIZE	A4
			VER	R3

ITEM NO.	DESCRIPTION	DRAWN	DATE
3	新增尺寸	Jack	041620
2	新增PIN編號	Jack	062918
1	新增外殼材質選項	Jack	053018