

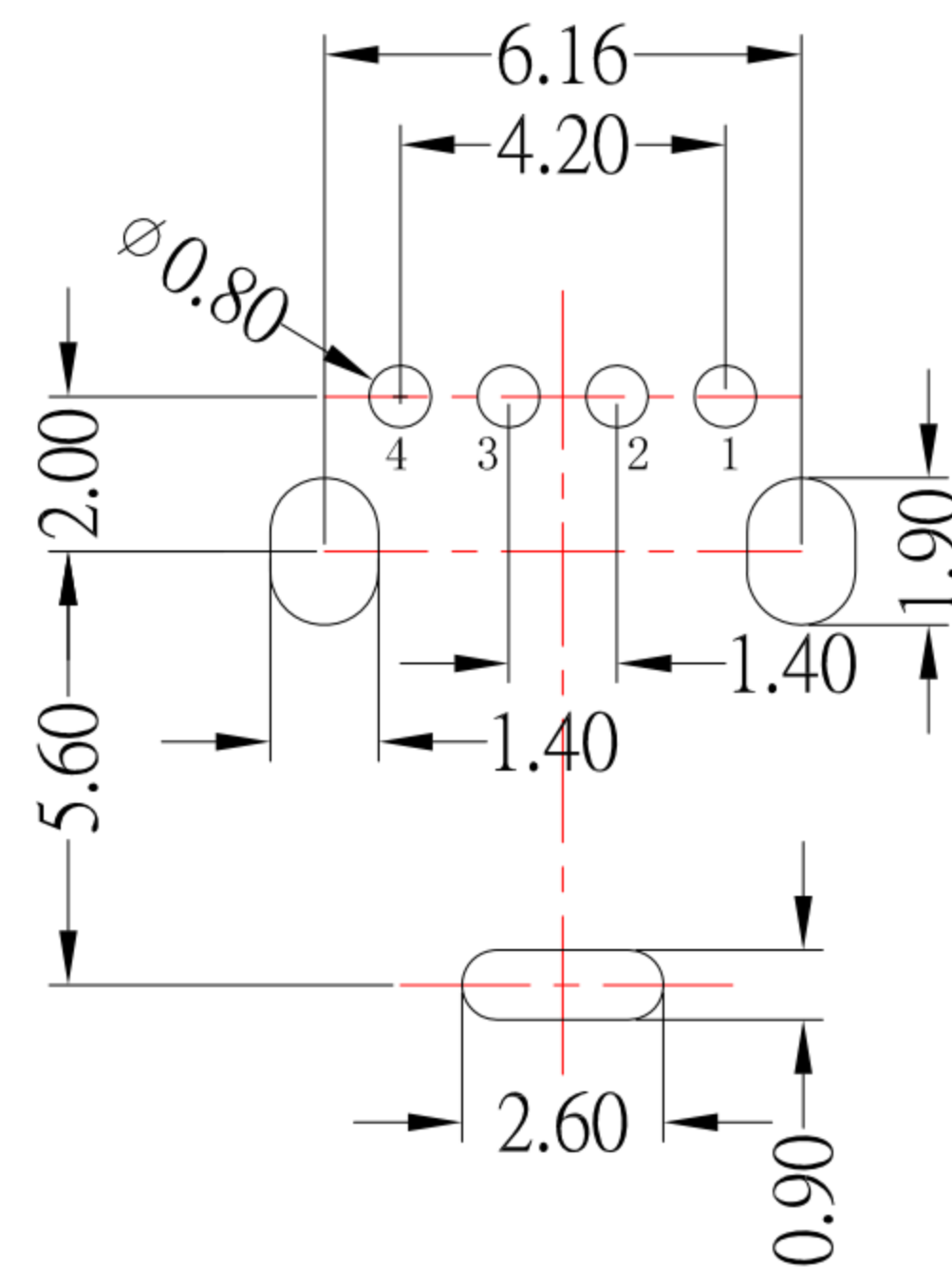
SUA-110P3x-x-S236

SHELL :

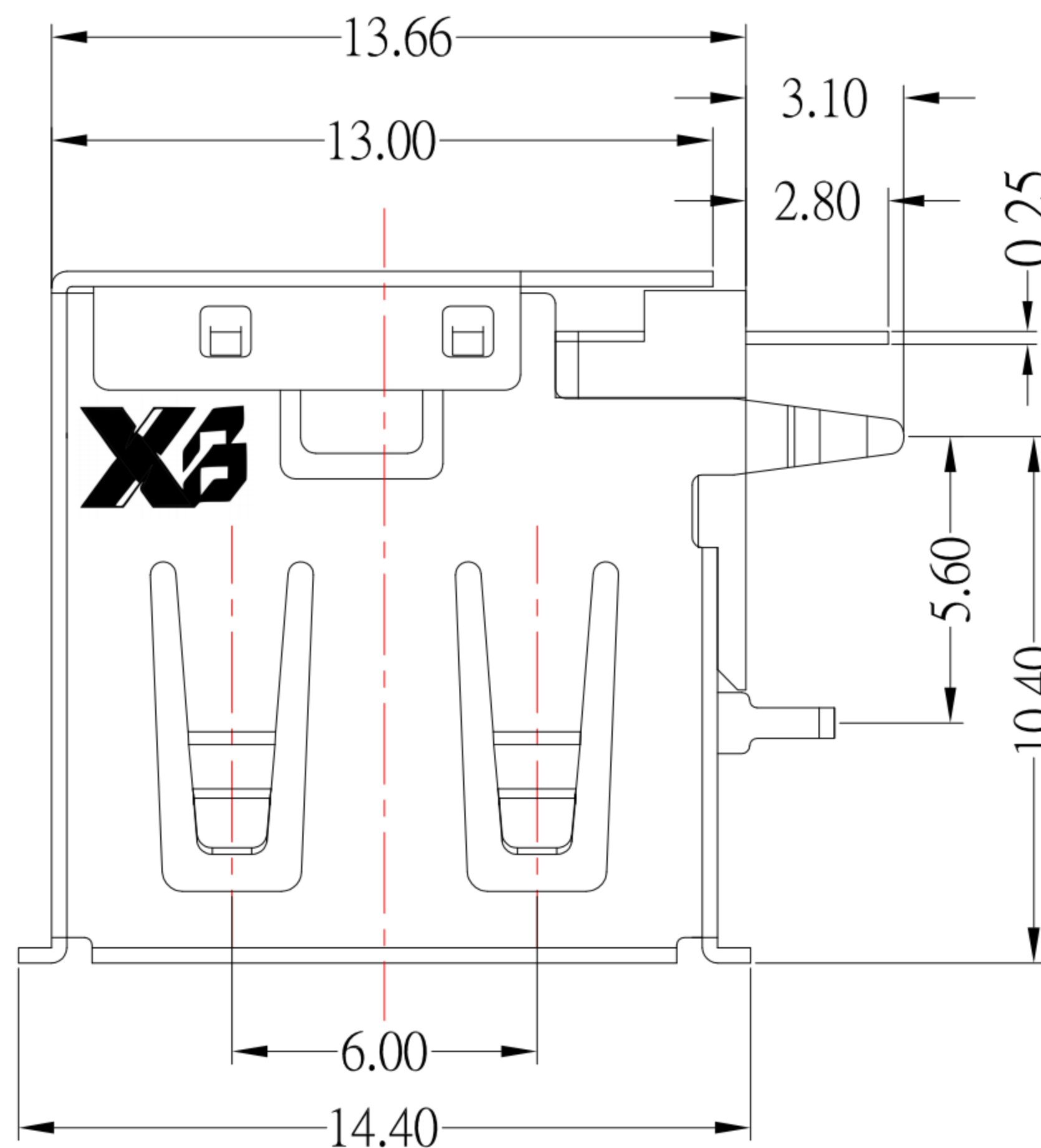
Blank : Brass
I : SPCC

COLOR :

Black: B
White : W



PCB LAYOUT MOUNTING PATTERN



SPECIFICATIONS

Electrical:

1. Rated Voltage: 30V
2. Rated Current: 1.0 A
3. Dielectric Withstanding Voltage: AC 500 V / 1MIN
4. Insulation Resistance: 1,000 MΩ Min
5. Contact Resistance: 30 mΩ Max

Material:

1. Housing: PBT
2. Contact: Brass
3. Shell: Brass / SPCC

Finish:

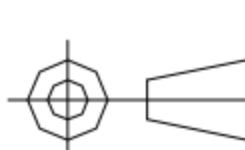
1. Contact: Plated Gold in Mating Area ;
Tin Plated on Solder Balls
Nickel under plated overall
2. Shell: Nickel under Plated surface layer

4	更新材質	Jack	032922
3	新增尺寸及更新PIN編碼及更新SPEC	Jack	040120
2	新增尺寸	Jack	072519
1	新增尺寸	Jack	050319
ITEM NO.	DESCRIPTION	DRAWN	DATE

X3 东莞市溪榜电子有限公司
Switch Connector DONG GUAN XI BANG ELECTRONICS CO., LTD

TOLERANCE UNLESS OTHERWISE STATED :
Up to 5 ±0.2
Above 5 ~ 15 ±0.3
Above 15 ~ 30 ±0.4
Above 30 ~ 50 ±0.5
Angle ±0.3°

3RD. ANGEL'S



UNITS MM

DRAWN BY:	DATE
Jack Lu	03/29/22
CHECKED BY:	DATE
Jacky Chen	03/29/22
APPROVED BY:	DATE
Tony Kao	03/29/22

MAT'L	TITLE	CONNECTOR
FINISH	MODLE	USB AF側插短體Y型腳有卷邊 L=13.6
SCALE	DWG NO.	SUA-110P3x-x-S236
SHEET NO.	PART NO.	SUA-110P3x-x-S236
1 : 1	SIZE	A4
1 of 1	VER	R4