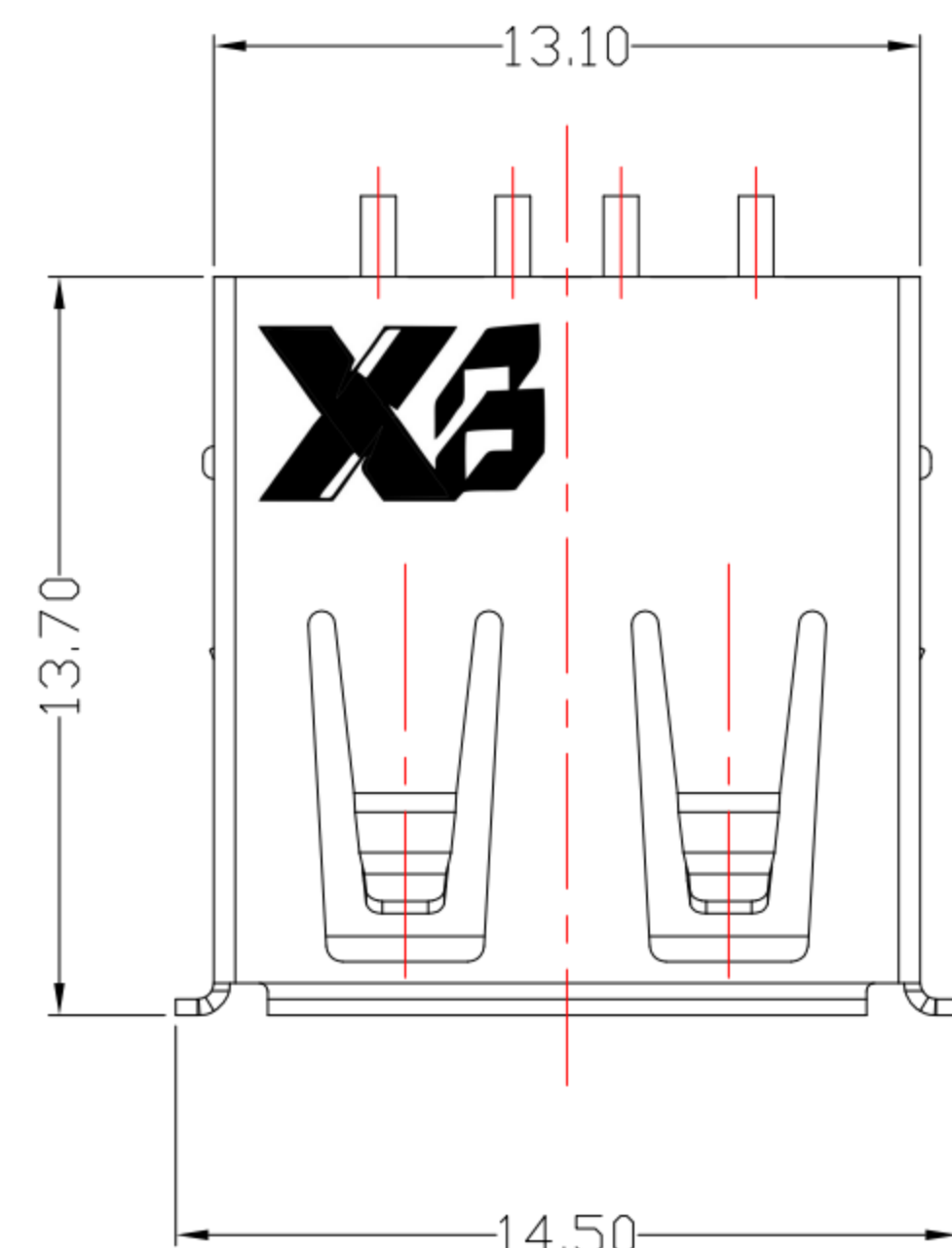




# SUA-110M4x-x-S235



Shell Material :

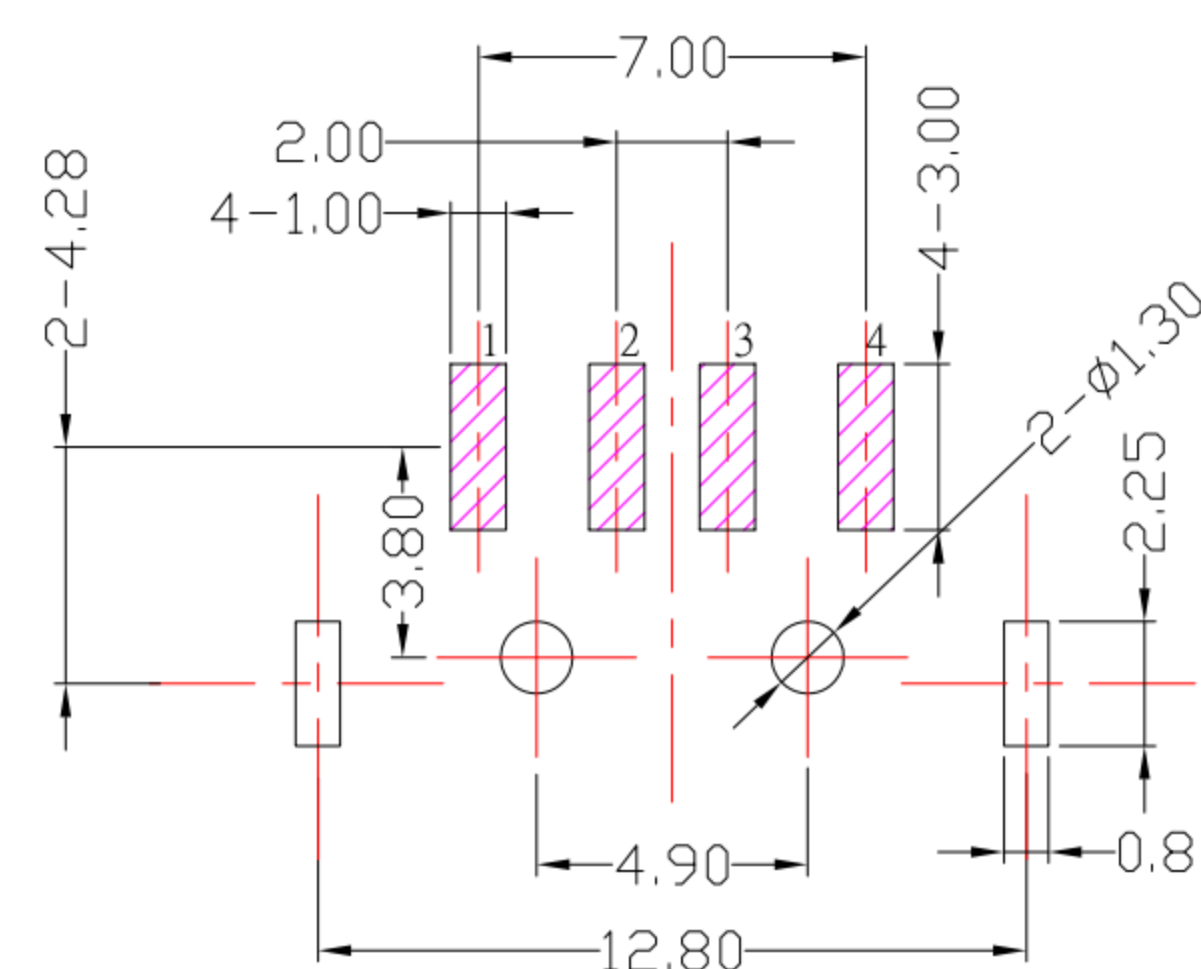
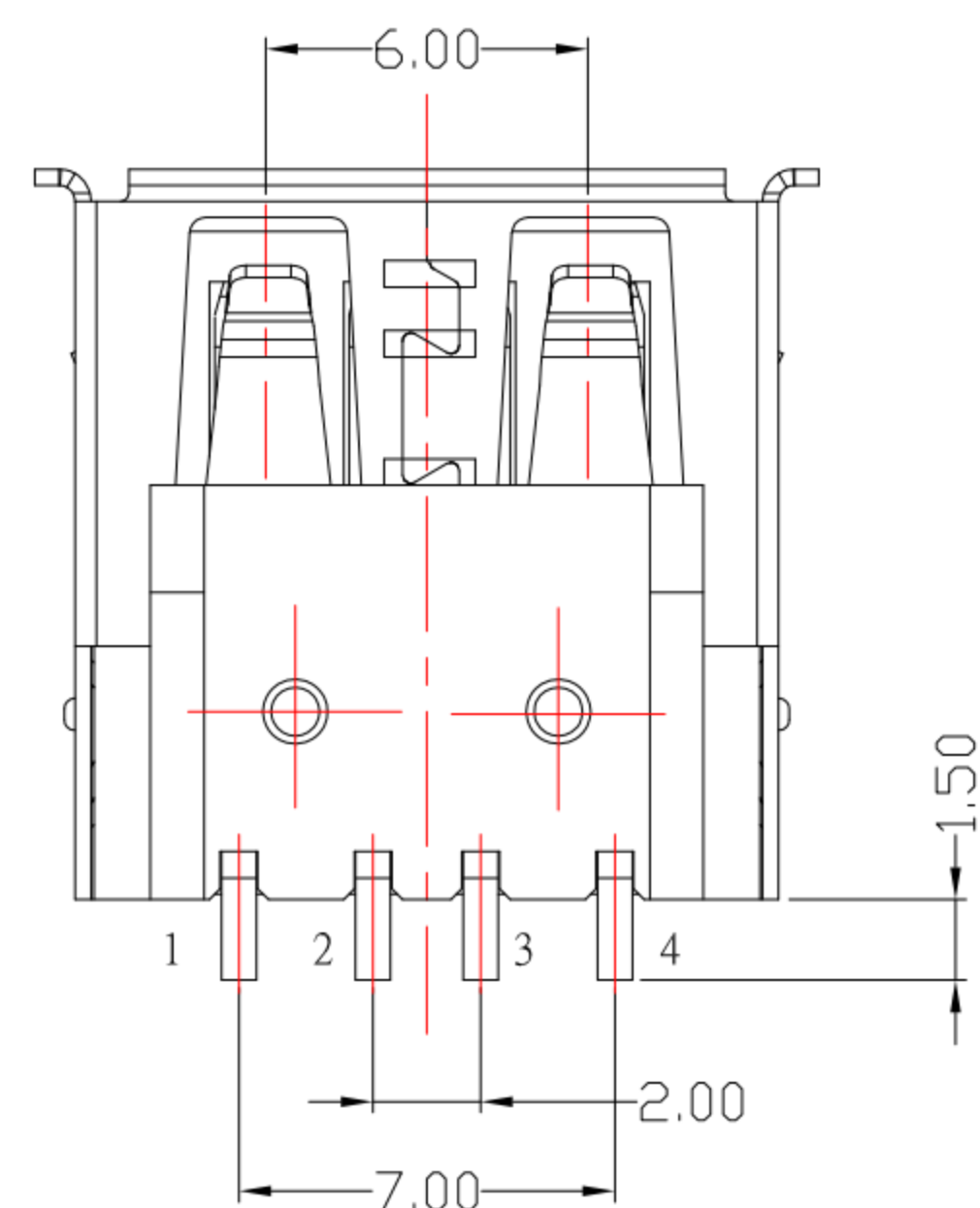
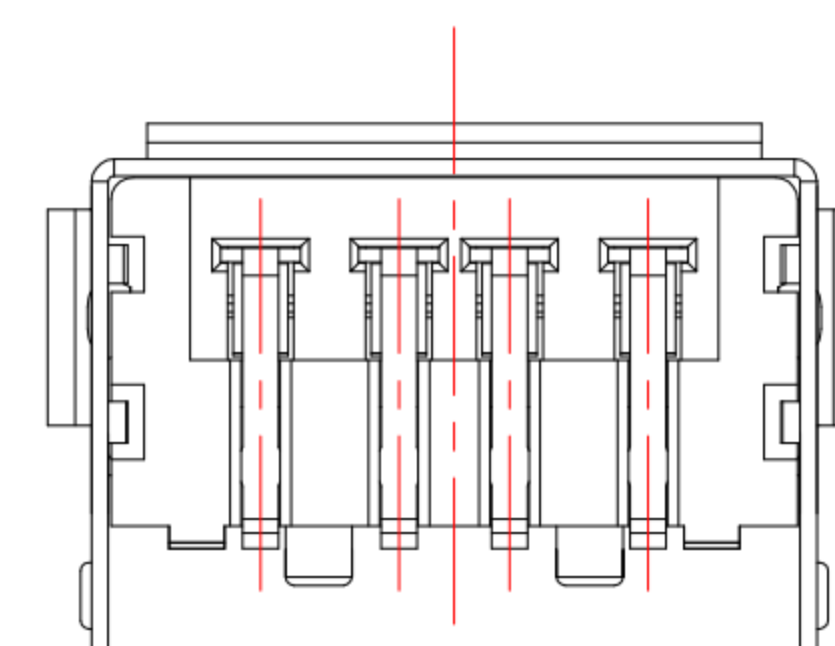
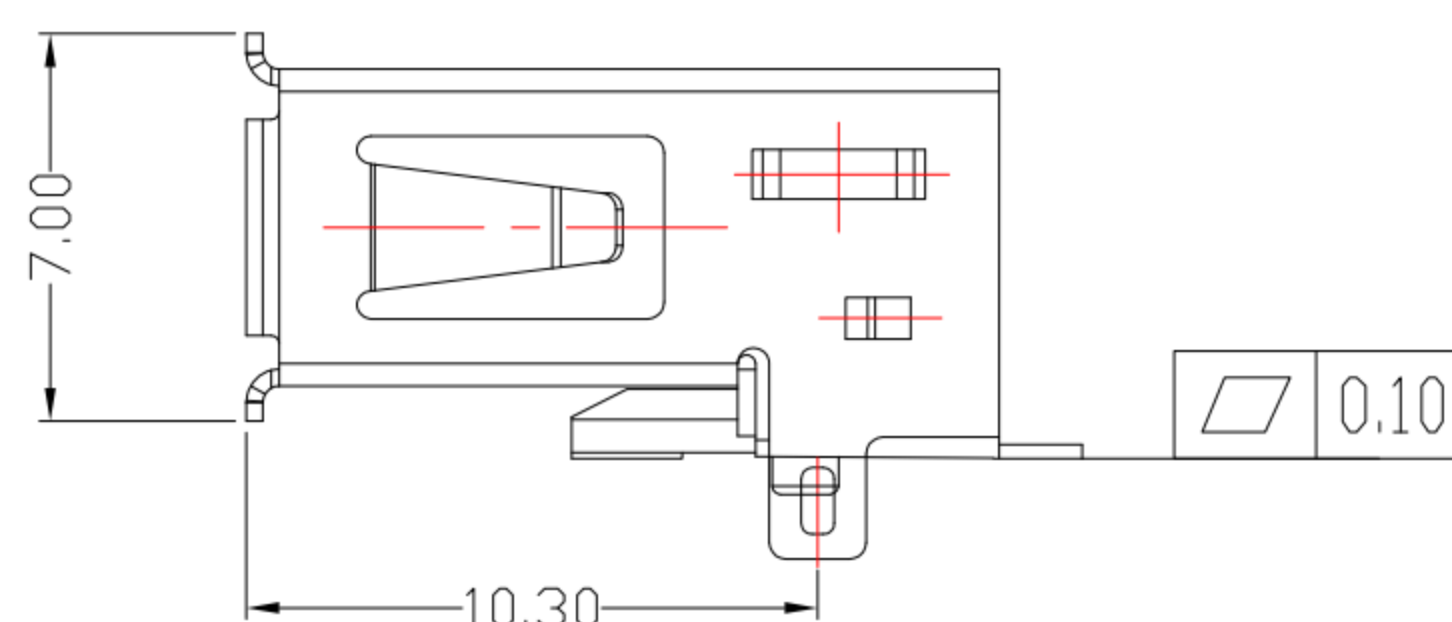
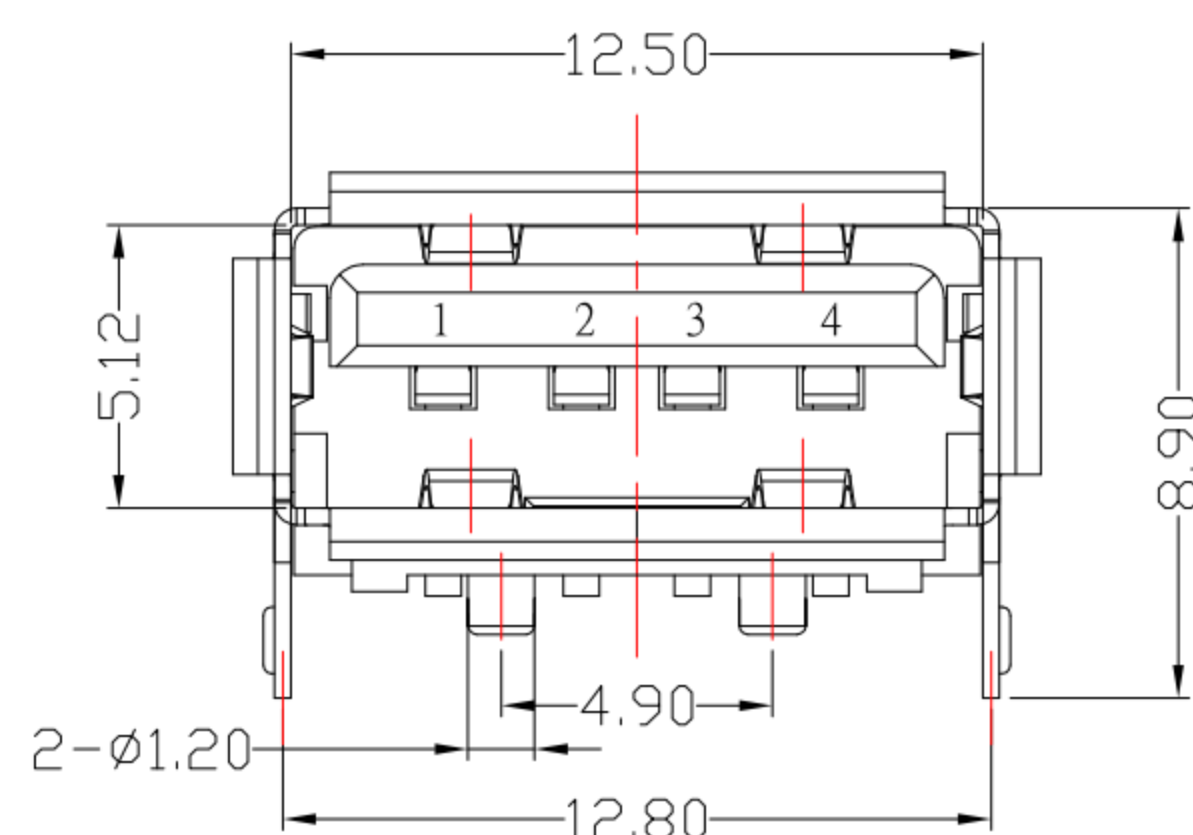
Blank : BRASS

I : SPCC

Color :

White : W

Black : B



RECOMMENDED PCB LAYOUT

## SPECIFICATIONS

### Electrical:

- 1.Contact Resistance: 30 mΩ Max
- 2.Insulation Resistance: 1,000 MΩ Min
- 3.Dielectric Withstanding Voltage: 500 V AC

### Material:

- 1.Housing: LCP , UL 94V-0
- 2.Contact: Phosphor Bronze
- 3.Shell: Brass / SPCC

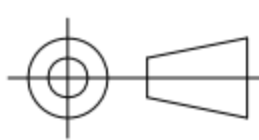
### Finish:

- 1.Contact: Plated Gold in Mating Area ;  
Tin Plated on Solder Balls ;  
Nickel under plated overall
- 2.Shell: Nickel under Plated surface layer

**XB** 东莞市溪榜电子有限公司  
Switch Connector DONG GUAN XI BANG ELECTRONICS CO., LTD

TOLERANCE UNLESS OTHERWISE STATED :  
Up to 5 ±0.2  
Above 5 ~ 15 ±0.3  
Above 15 ~ 30 ±0.4  
Above 30 ~ 50 ±0.5  
Angle ±0.3°

3RD. ANGEL'S



UNITS MM

DRAWN BY: Jack Lu  
DATE: 07/21/20  
CHECKED BY: Jacky Chen  
DATE: 07/21/20  
APPROVED BY: Tony Kao  
DATE: 07/21/20

MAT'L		TITLE	CONNECTOR
FINISH		MODLE	USB A/F SMT 外殼直腳 有柱
SCALE	1 : 1	DWG NO.	SUA-110M4x-x-S235
SHEET NO.	1 of 1	PART NO.	SUA-110M4x-x-S235
		SIZE	A4
		VER	R3

3	新增PIN編號	Jack	072120
2	新增PCB LAYOUT尺寸	Jack	072020
1	新增平整度標示	Jack	052518
ITEM NO.	DESCRIPTION	DRAWN	DATE