



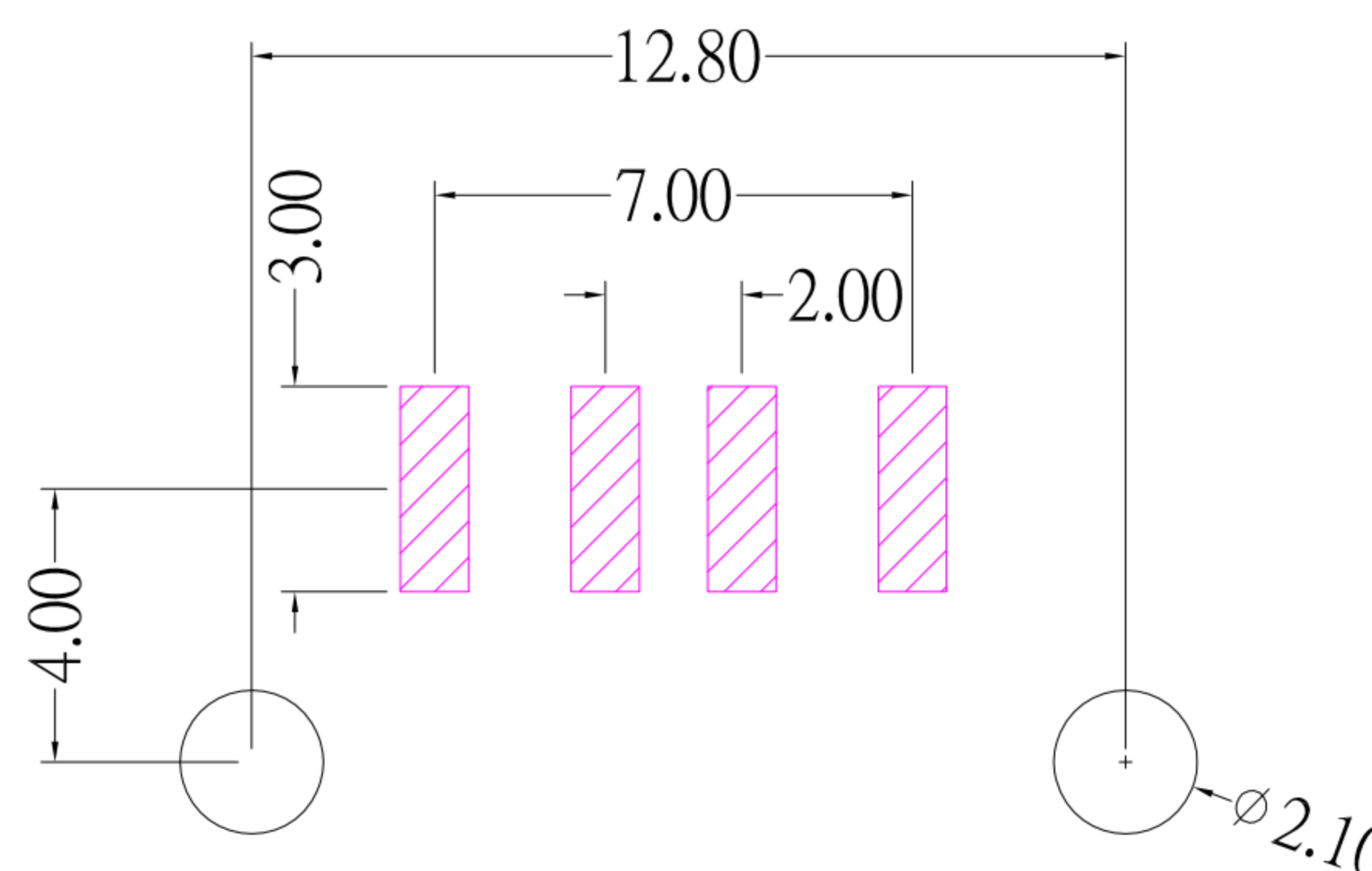
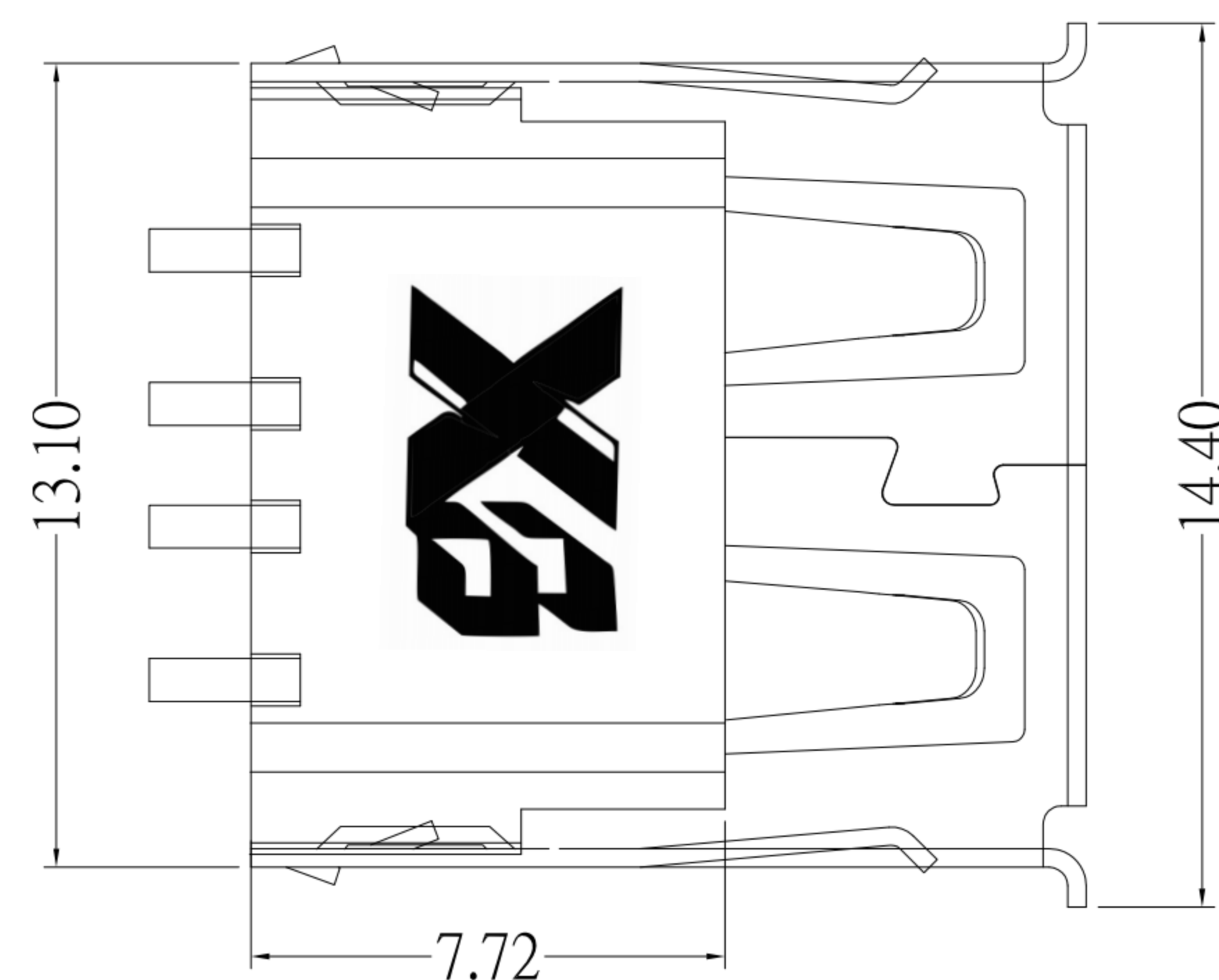
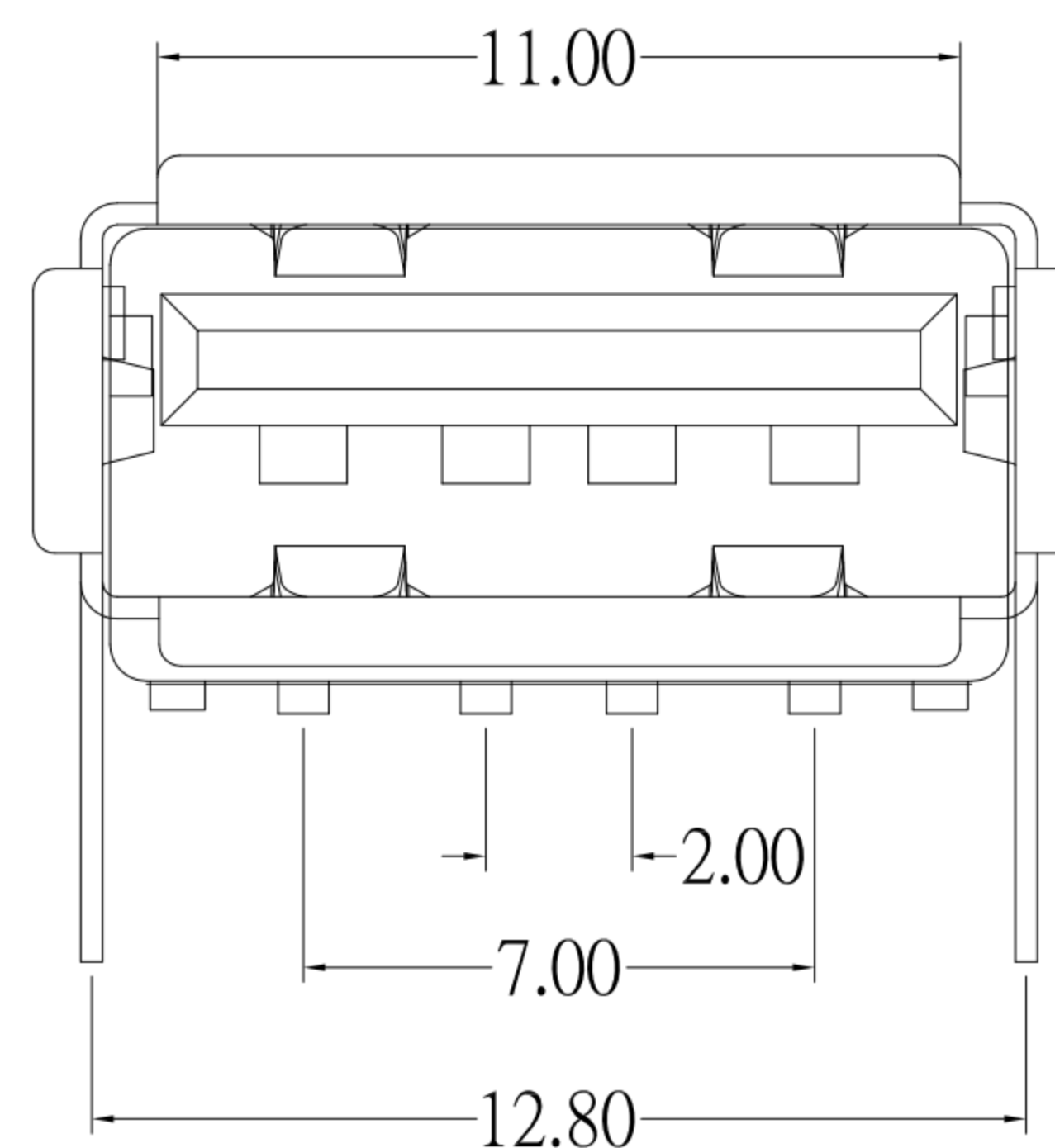
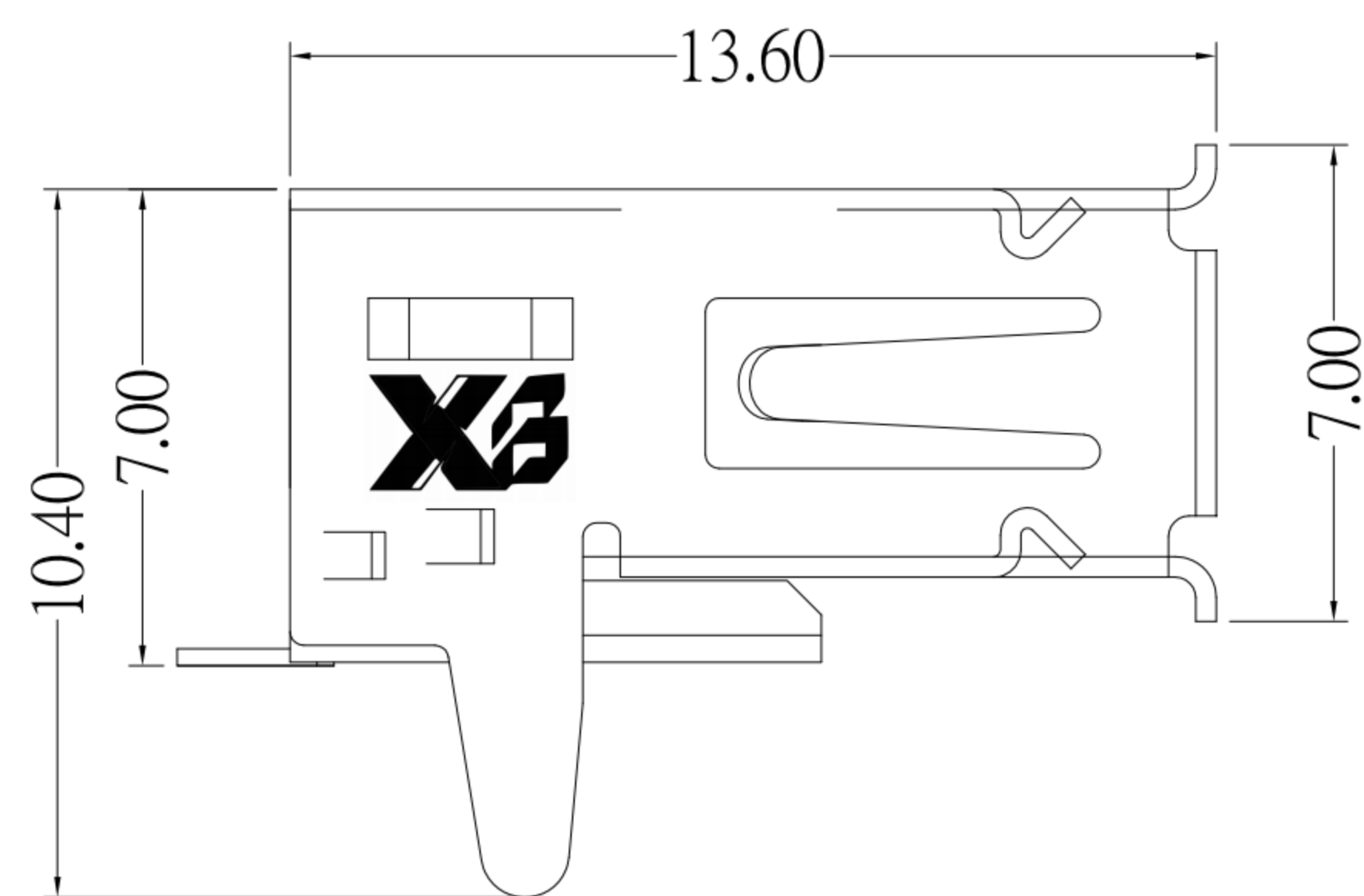
# SUA-110M22Bx-x-S236

Shell Material :

- Blank : BRASS
- I : SPCC

Color :

- White : W
- Black : B



P.C.B LAYOUT

## SPECIFICATIONS

### Electrical:

- 1.Contact Resistance: 30 mΩ Max
- 2.Insulation Resistance: 1,000 MΩ Min
- 3.Dielectric Withstanding Voltage: 500V AC

### Material:

- 1.Housing: LCP
- 2.Contact: Phosphor Bronze
- 3.Shell: Brass / Spcc

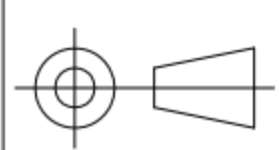
### Finish:

- 1.Contact: Plated Gold in Mating Area ;  
Tin Plated on Solder Balls ;  
Nickel under plated overall
- 2.Shell: Nickel under Plated surface layer

**X3** 东莞市溪榜电子有限公司  
Switch Connector DONG GUAN XI BANG ELECTRONICS CO., LTD

TOLERANCE UNLESS OTHERWISE STATED :  
Up to 5 ±0.2  
Above 5 ~ 15 ±0.3  
Above 15 ~ 30 ±0.4  
Above 30 ~ 50 ±0.5  
Angle ±0.3°

3RD. ANGEL'S



UNITS

MM

DRAWN BY: Jack Lu  
DATE: 04/18/19  
CHECKED BY: Jacky Chen  
DATE: 04/18/19  
APPROVED BY: Tony Kao  
DATE: 04/18/19

MAT'L		TITLE	CONNECTOR
FINISH		MODLE	USB 2.0 AF R/A SMT 外殼直腳 無後蓋
SCALE	1 : 1	DWG NO.	SUA-110M22Bx-x-S236
SHEET NO.	1 of 1	PART NO.	SUA-110M22Bx-x-S236
		SIZE	A4
		VER	R

ITEM NO.	DESCRIPTION	DRAWN	DATE