



SPECIFICATIONS

Electrical:

- 1.Current Rating: 1.5A / contact terminal
- 2.Voltage Rating: 30V DC
- 3.Contact Resistance: 30 milliohms Max
- 4.Dielectric Withstanding Voltage:
500 V AC AT Sec Level
- 5.Insulation Resistance: 1,000 MEGA ohms Min

Mechanical:

- 1.Connector Mate and Unmate Force
Mate force: 3.57 kgf (Max)
Unmate force: 1.02 kgf (Min)
- 2.Terminal Retention: 1.2 kgf (Min)

Material:

- 1.Housing: LCP UL94V-0,Black Color
- 2.Contact: BRASS
- 3.Shell: BRASS

Finish:

- 1.Contact: Plated Gold in Mating Area ;
Tin Plated on Solder Balls
Nickel under plated overall
- 2.Shell: Nickel under Plated surface layer

SUA-110M15-x-x-S175

COLOR :

鍍層厚度 :

Blank : 1u"

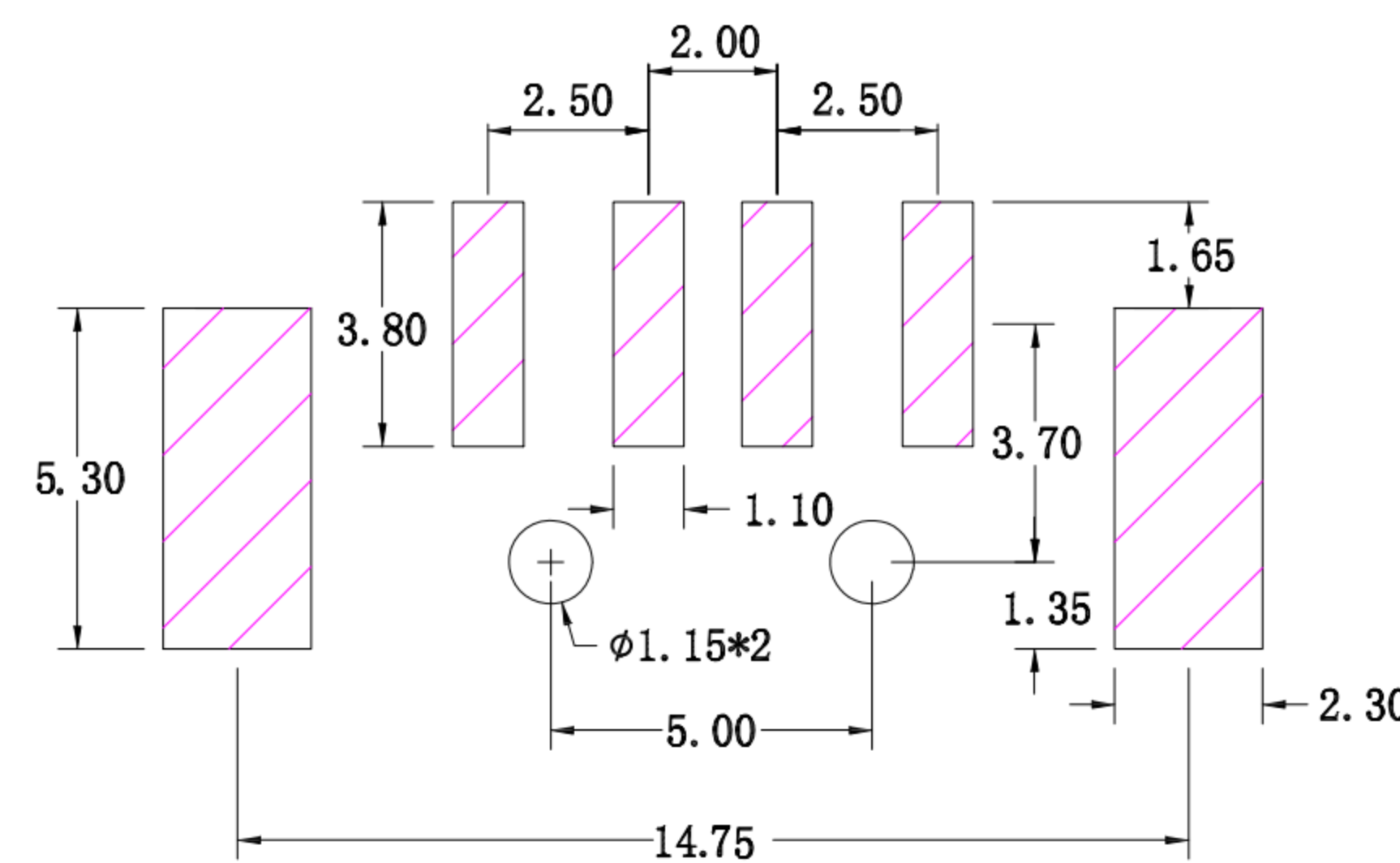
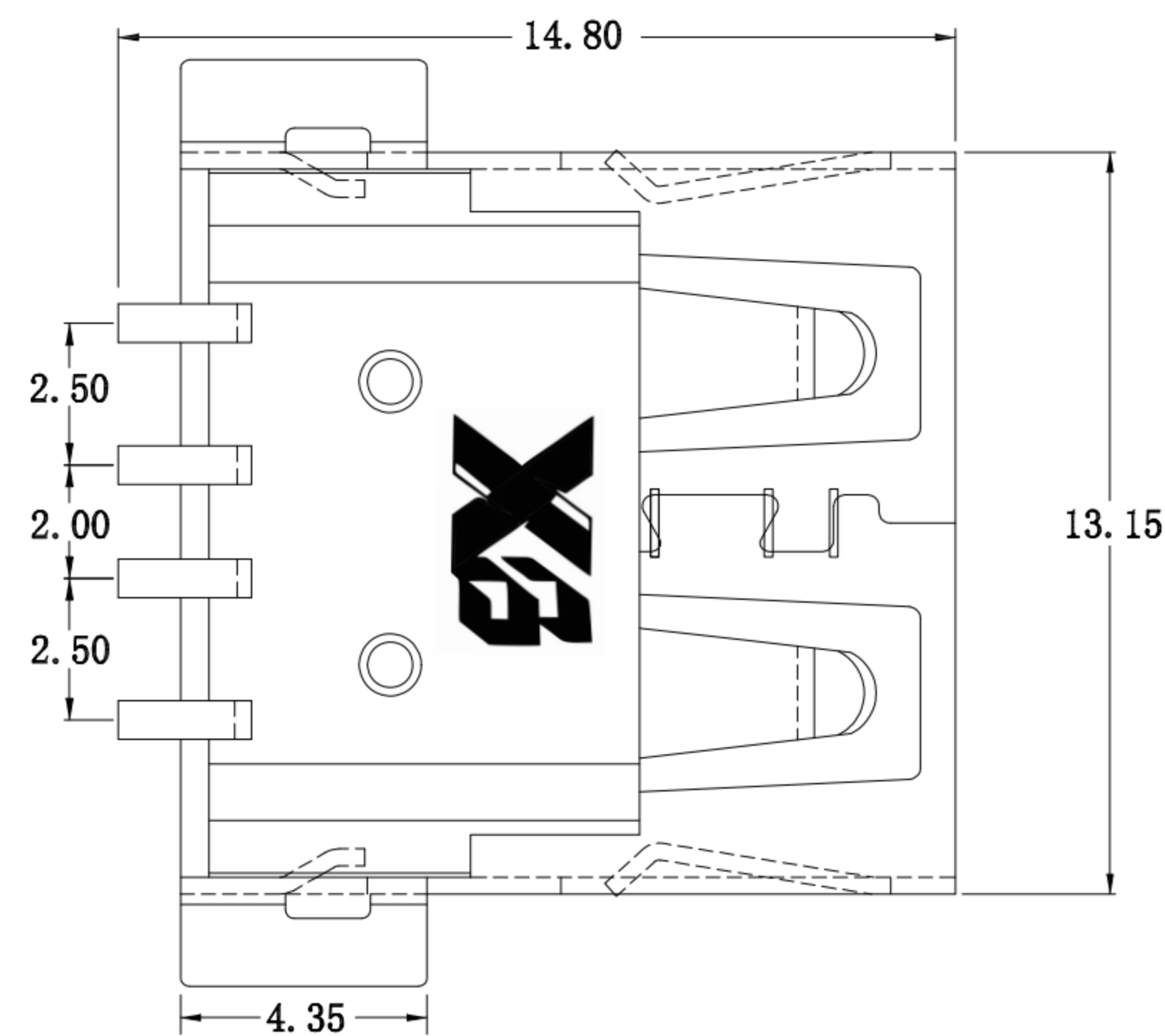
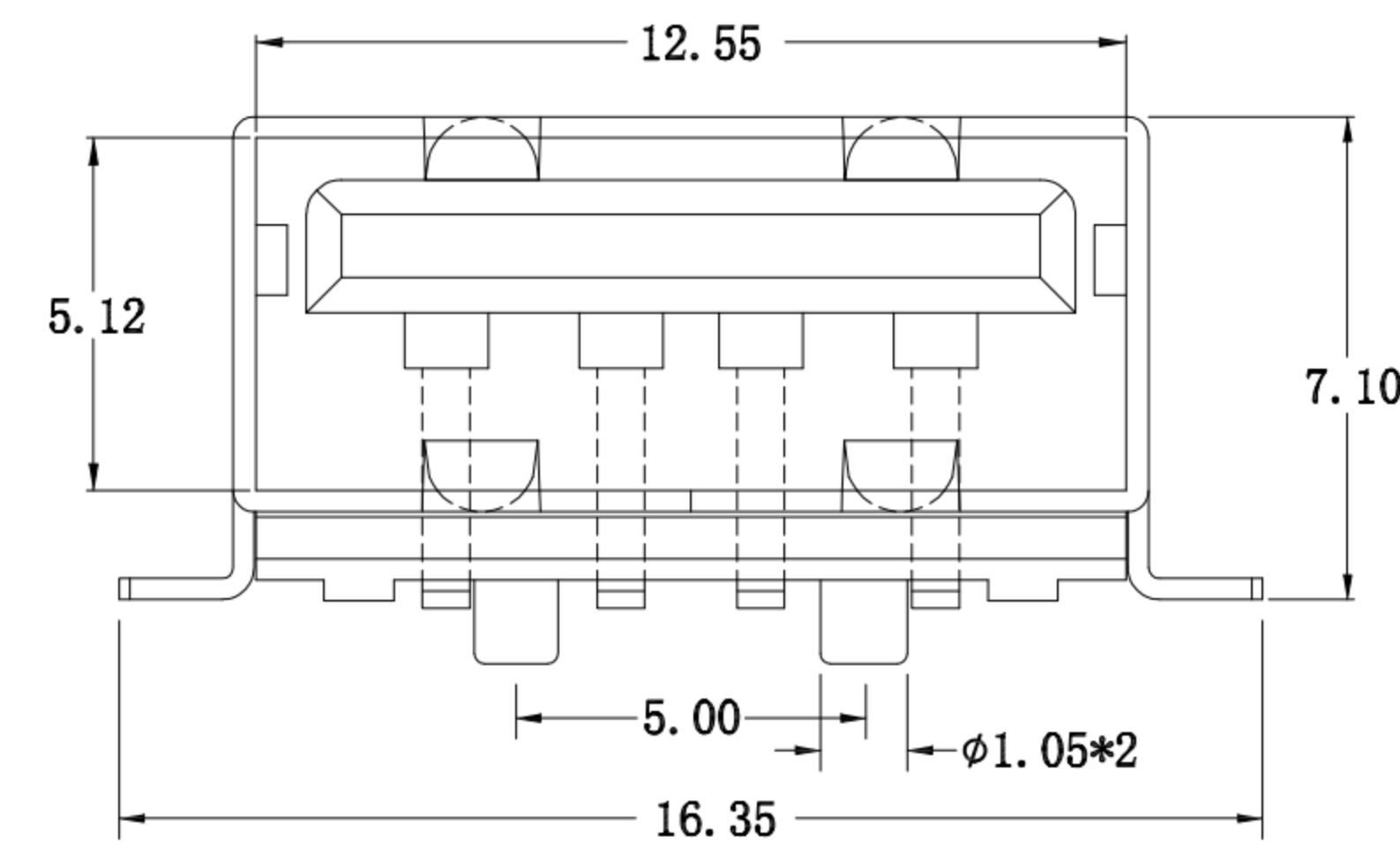
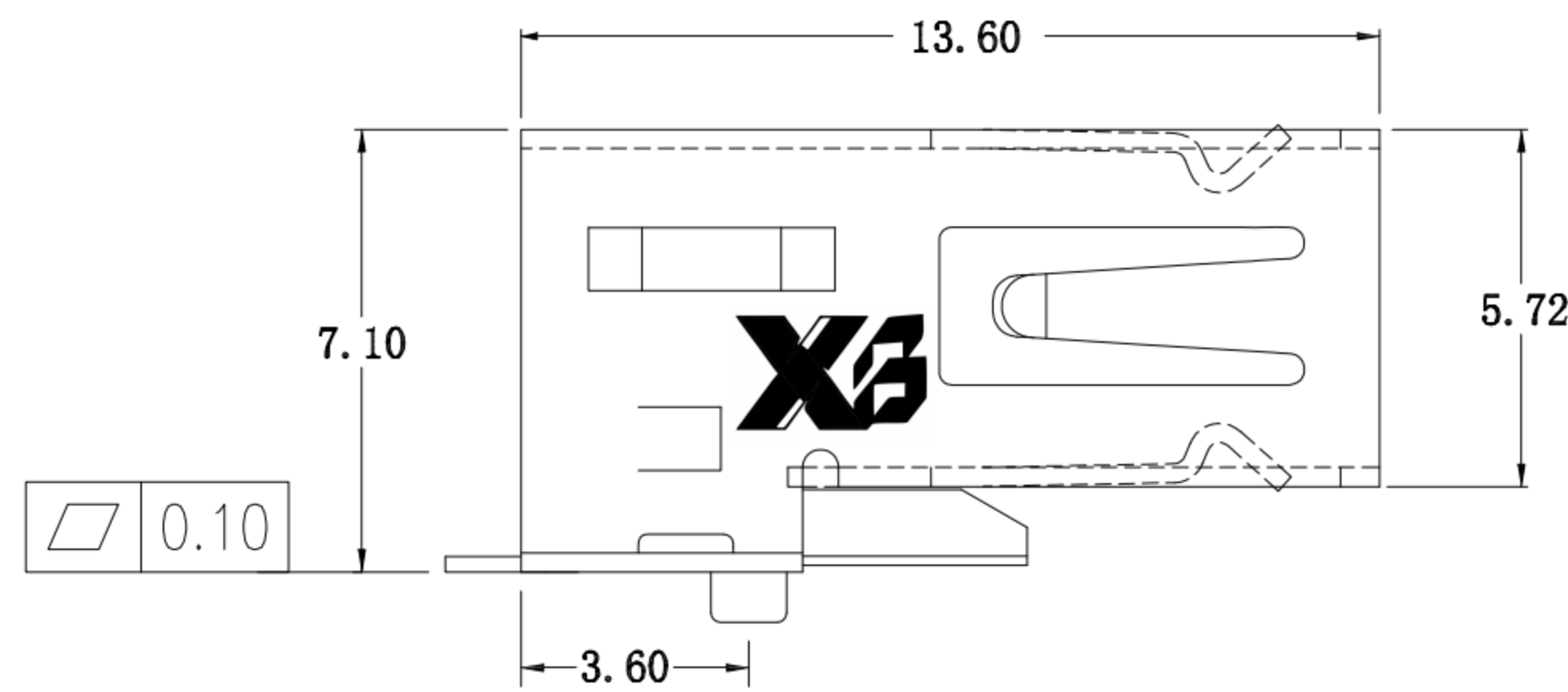
2 : 15u"

3 : 30u"

Black : B

White : W

Blue : BL



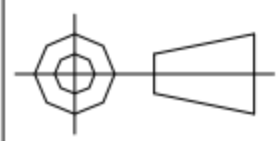
PCB LAYOUT MOUNTING PATTERN

XB 东莞市溪榜电子有限公司
Switch Connector DONG GUAN XI BANG ELECTRONICS CO., LTD

TOLERANCE UNLESS OTHERWISE STATED :

Up to 5 ±0.2
Above 5 ~ 15 ±0.3
Above 15 ~ 30 ±0.4
Above 30 ~ 50 ±0.5
Angle ±0.3°

3RD. ANGEL'S



UNITS

MM

DRAWN BY: Jack Lu
DATE: 03/30/21
CHECKED BY: Jacky Chen
DATE: 03/30/21
APPROVED BY: Tony Kao
DATE: 03/30/21

MAT'L		TITLE	CONNECTOR
FINISH		MODLE	USB AF SMT 平口 1.0 柱
SCALE	1 : 1	DWG NO.	SUA-110M15-x-x-S175
SHEET NO.	1 of 1	PART NO.	SUA-110M15-x-x-S175

SIZE
A4
VER
R3

3	新增平整度標示	Jack	033021
2	更新材質	Jack	060917
1	更新鍍層及材質	Jack	032014
ITEM NO.	DESCRIPTION	DRAWN	DATE