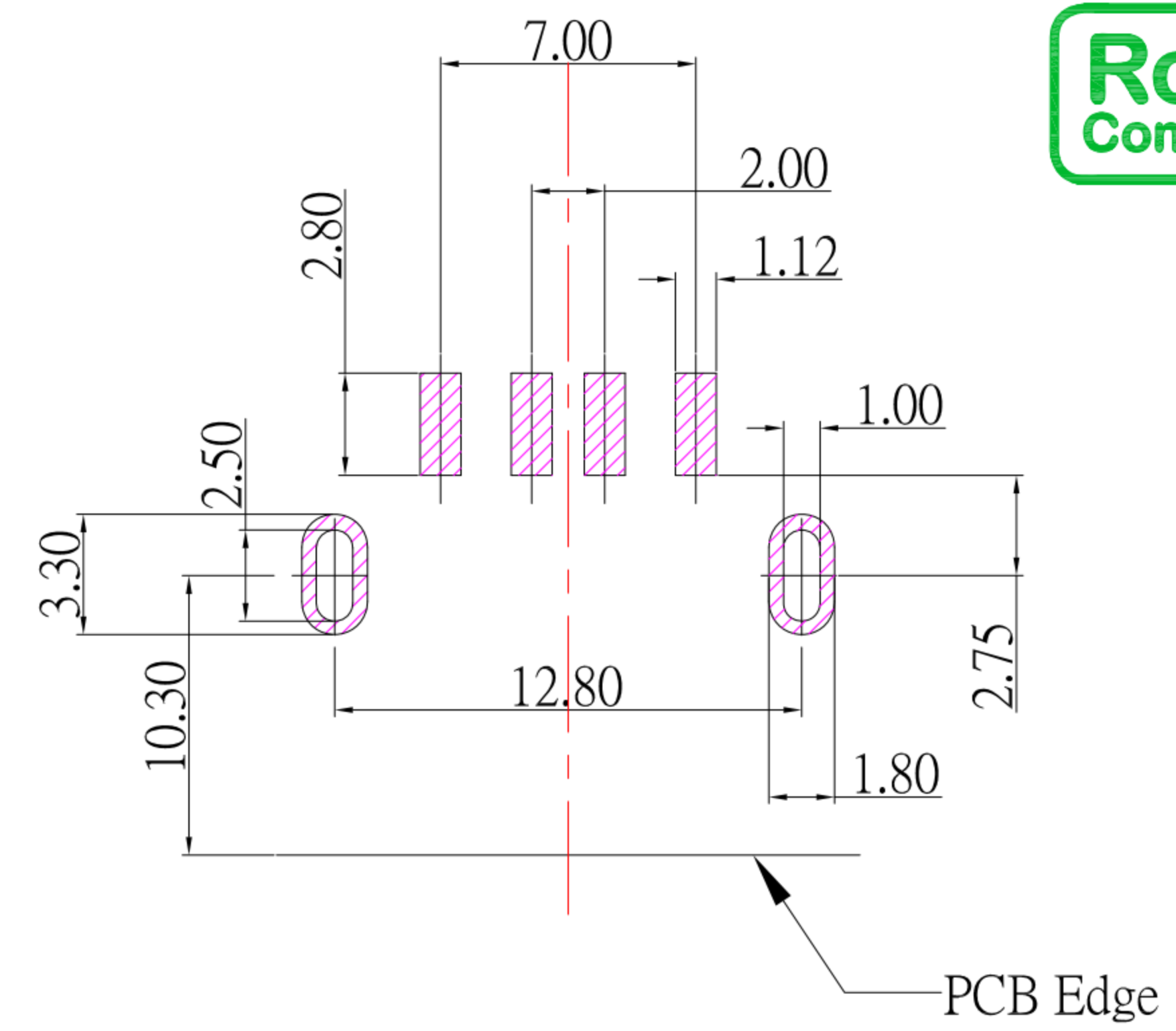
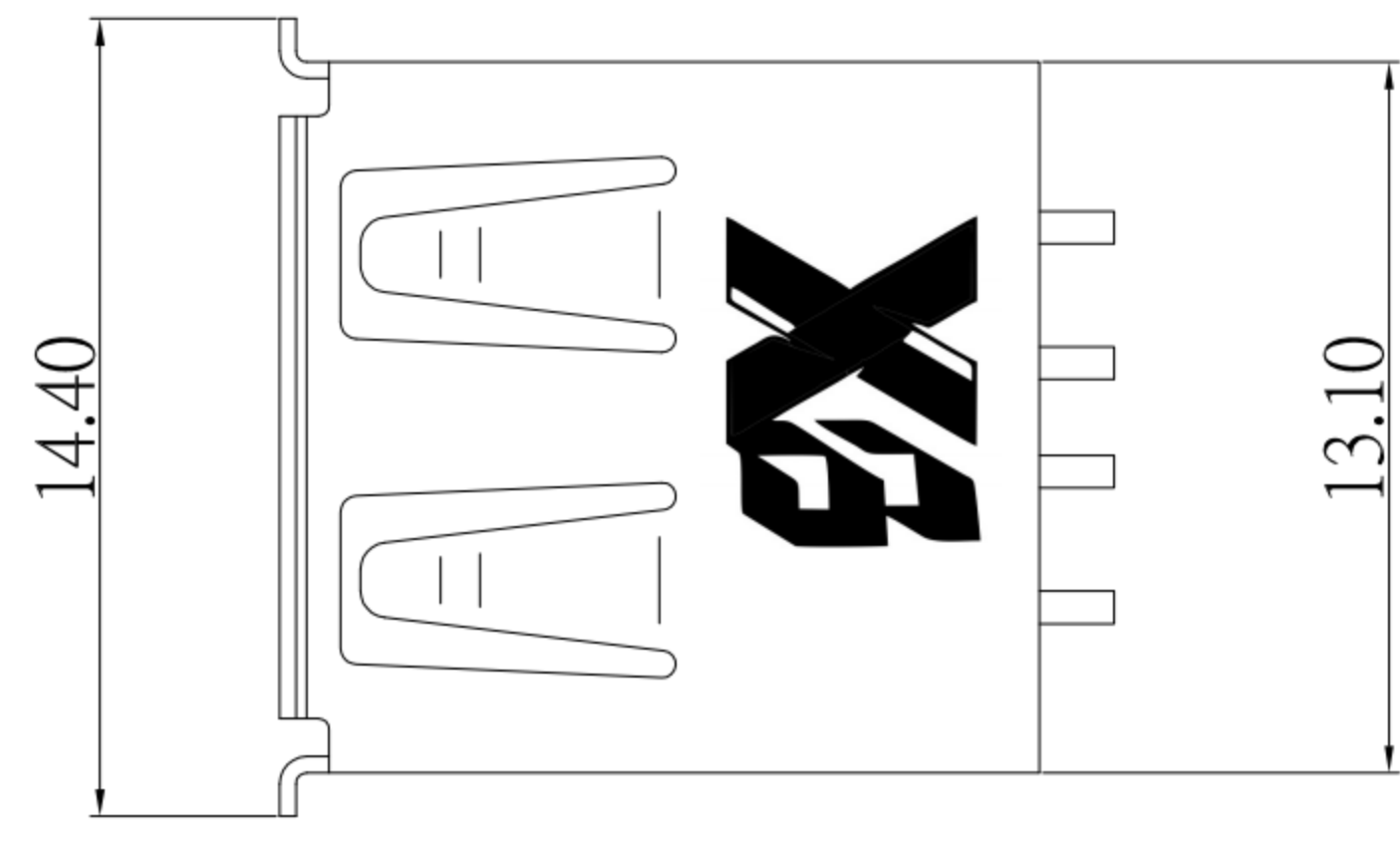


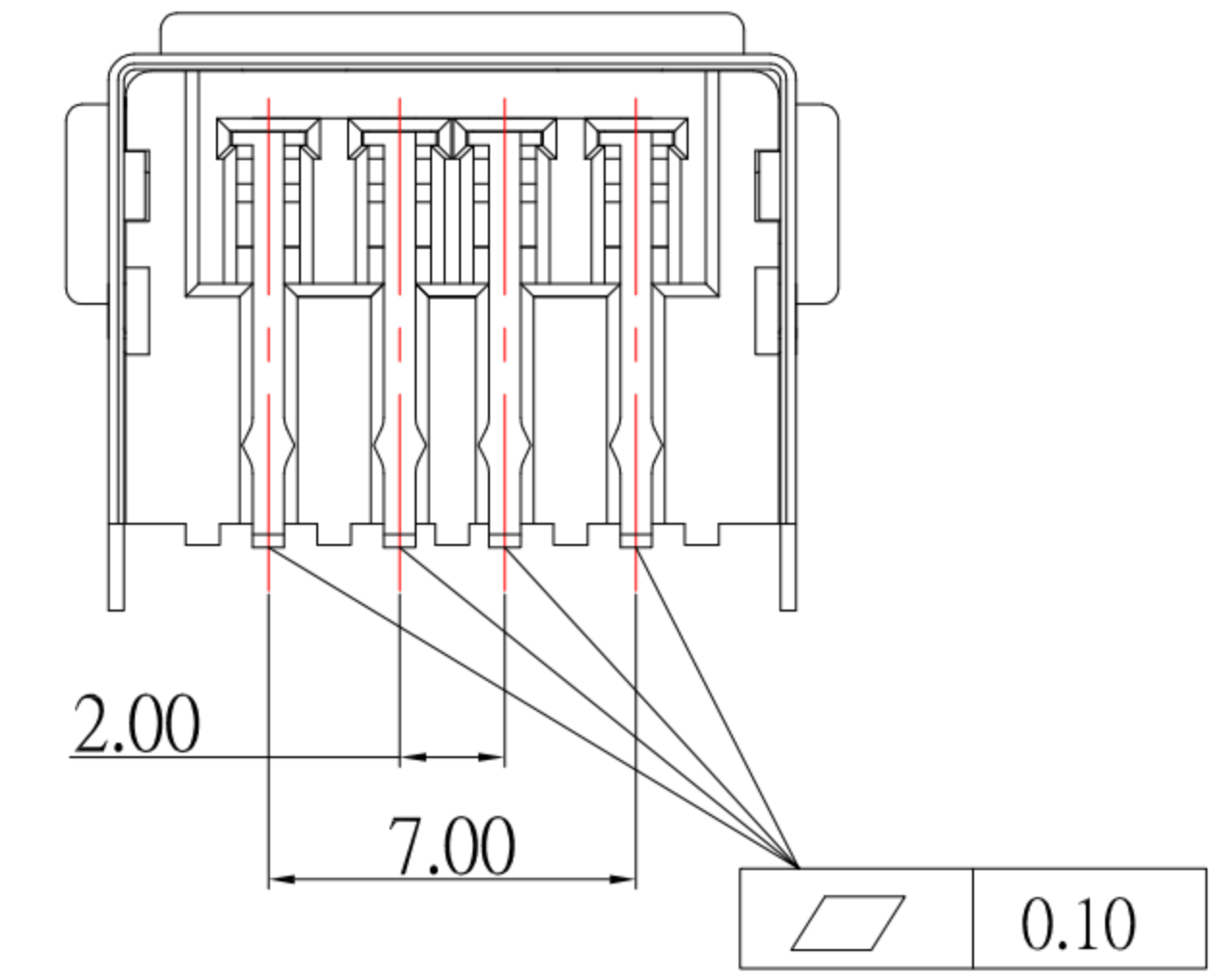
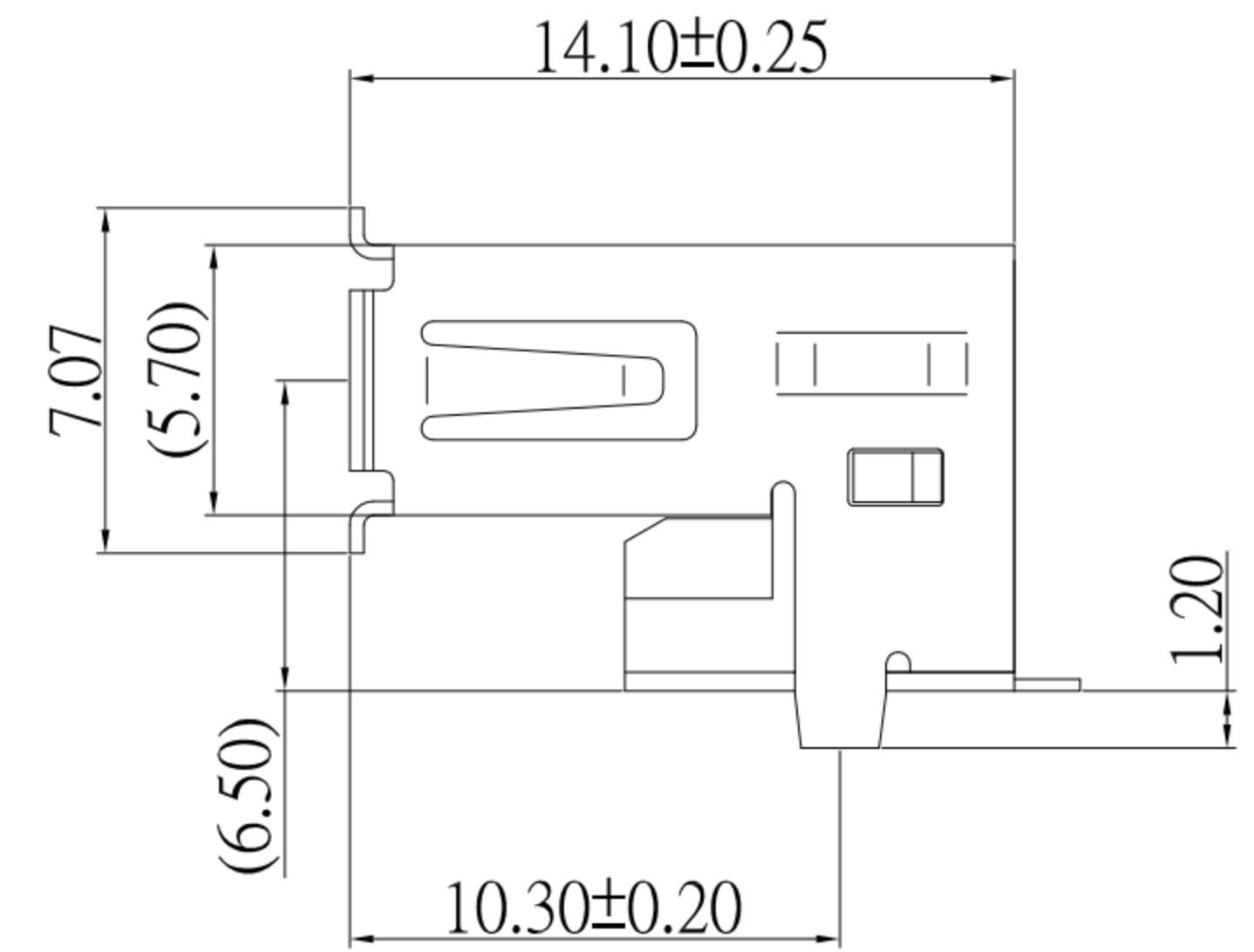
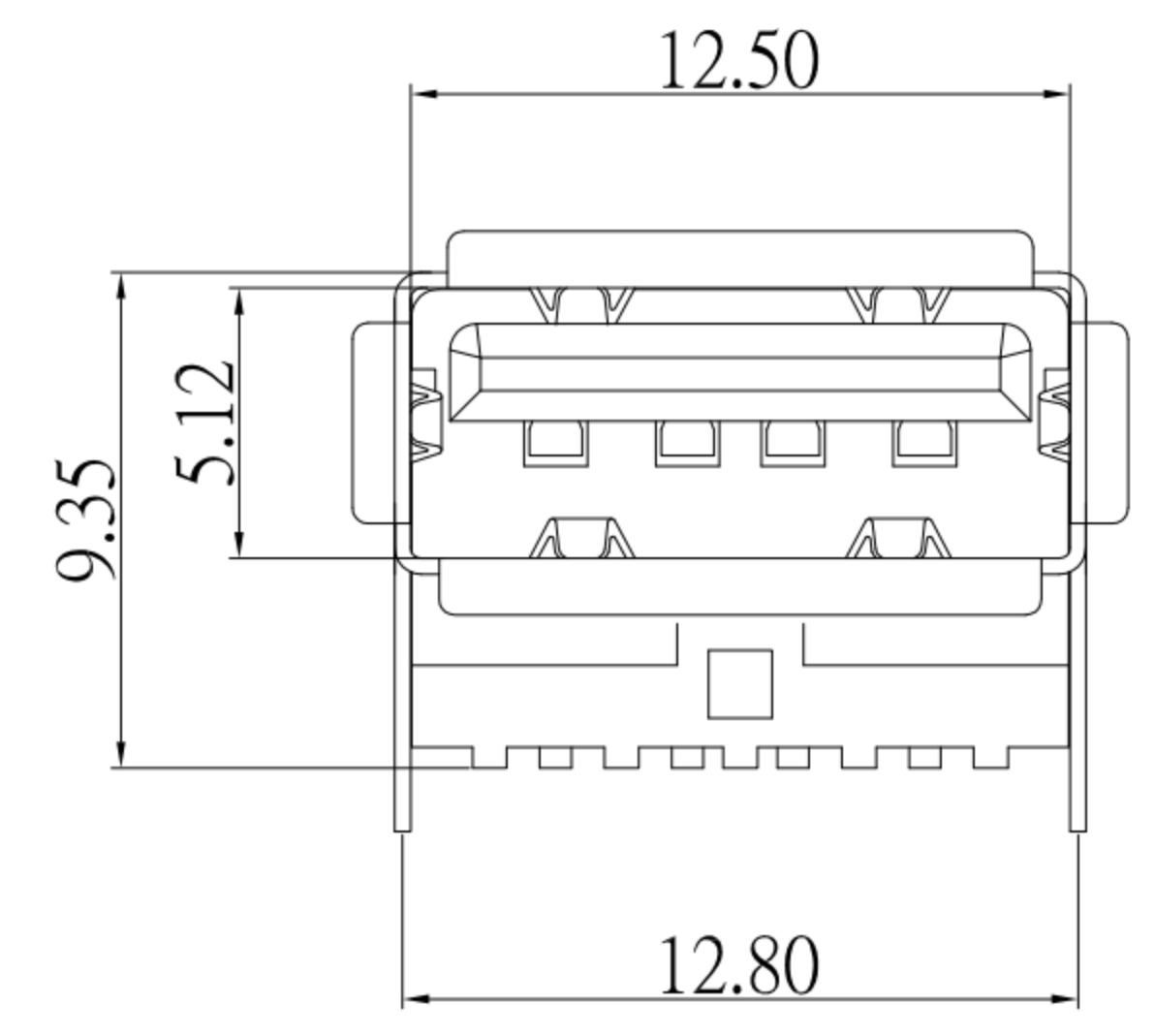


SUA-110M12-x-x-S165

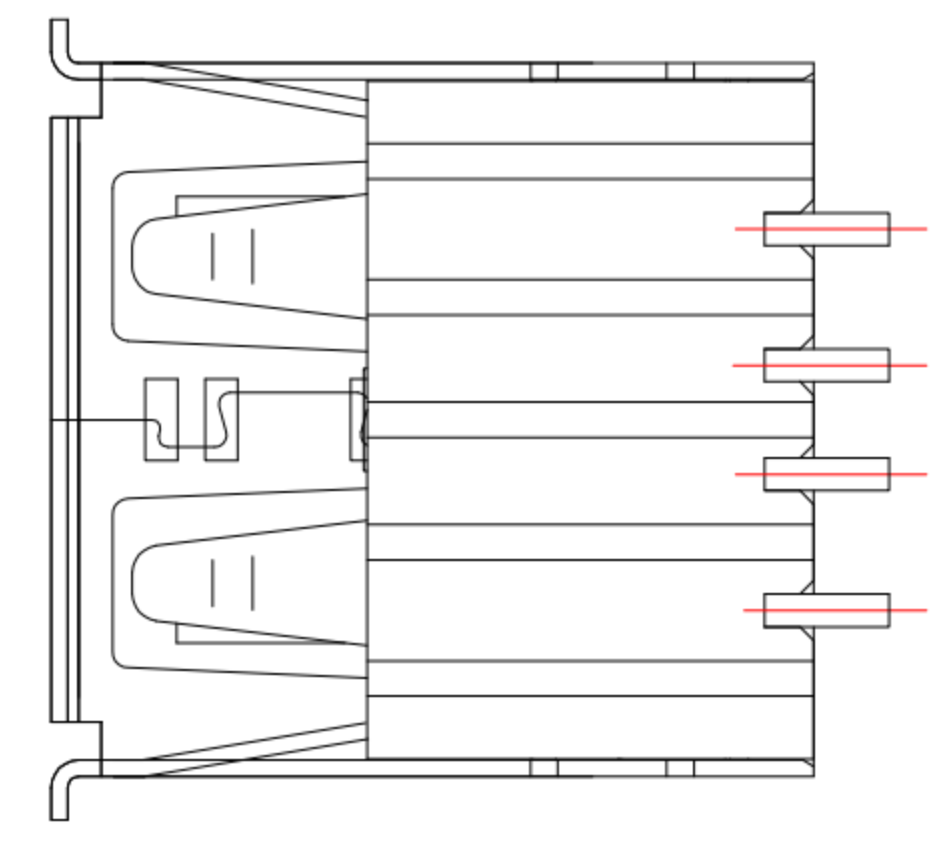
鍍層厚度 :	COLOR :
Blank : 1u"	Black : B
2 : 15u"	White : W
3 : 30u"	



PCB LAYOUT MOUNTING PATTERN



- Material:**
- 1.Housing: LCP
 - 2.Contact: BRASS
 - 3.Shell: BRASS
- Finish:**
- 1.Contact: Plated Gold in Mating Area ;
Tin Plated on Solder Balls ;
Nickel under plated overall
 - 2.Shell: Nickel under Plated surface layer



XB 东莞市溪榜电子有限公司
 Switch Connector DONG GUAN XI BANG ELECTRONICS CO., LTD

TOLERANCE UNLESS OTHERWISE STATED :	Up to 5 ±0.2	Above 5 ~ 30 ±0.3	Above 30 ~ 50 ±0.4	Above 50 ±0.5	Angle ±0.3	3RD. ANGEL'S	UNITS	MM
-------------------------------------	--------------	-------------------	--------------------	---------------	------------	--------------	-------	----

DRAWN BY:	DATE	MAT'L	TITLE	CONNECTOR
Jack Lu	05/08/19		MODLE	USB AF R/A SMT H:9.35mm
CHECKED BY:	DATE	FINISH	DWG NO.	SUA-110M12-x-x-S165
Jacky Chen	05/08/19		PART NO.	SUA-110M12-x-x-S165
APPROVED BY:	DATE	SCALE	1 : 1	
Tony Kao	05/08/19	SHEET NO.	1 of 1	

ITEM NO.	DESCRIPTION	DRAWN	DATE