



SUA-110Mxx-x-S175

| | | | |
|---------------|--|-----------|--|
| SHELL : | | COLOR : | |
| Blank : BRASS | | Black : B | |
| I : SPCC | | White : W | |
| HOUSING : | | | |
| Blank : LCP | | | |
| A : PBT | | | |

SPECIFICATIONS

Electrical:

- 1.Current Rating: 1.5A / contact terminal
- 2.Voltage Rating: 30V DC , 250V AC
- 3.Contact Resistance: 30 mΩ Max
- 4.Dielectric Withstanding Voltage: 500 V AC AT Sec Level
- 5.Insulation Resistance: 1,000 MΩ Min(at 500VDC)
- 6.Durability: 5000 cycles

Mechanical:

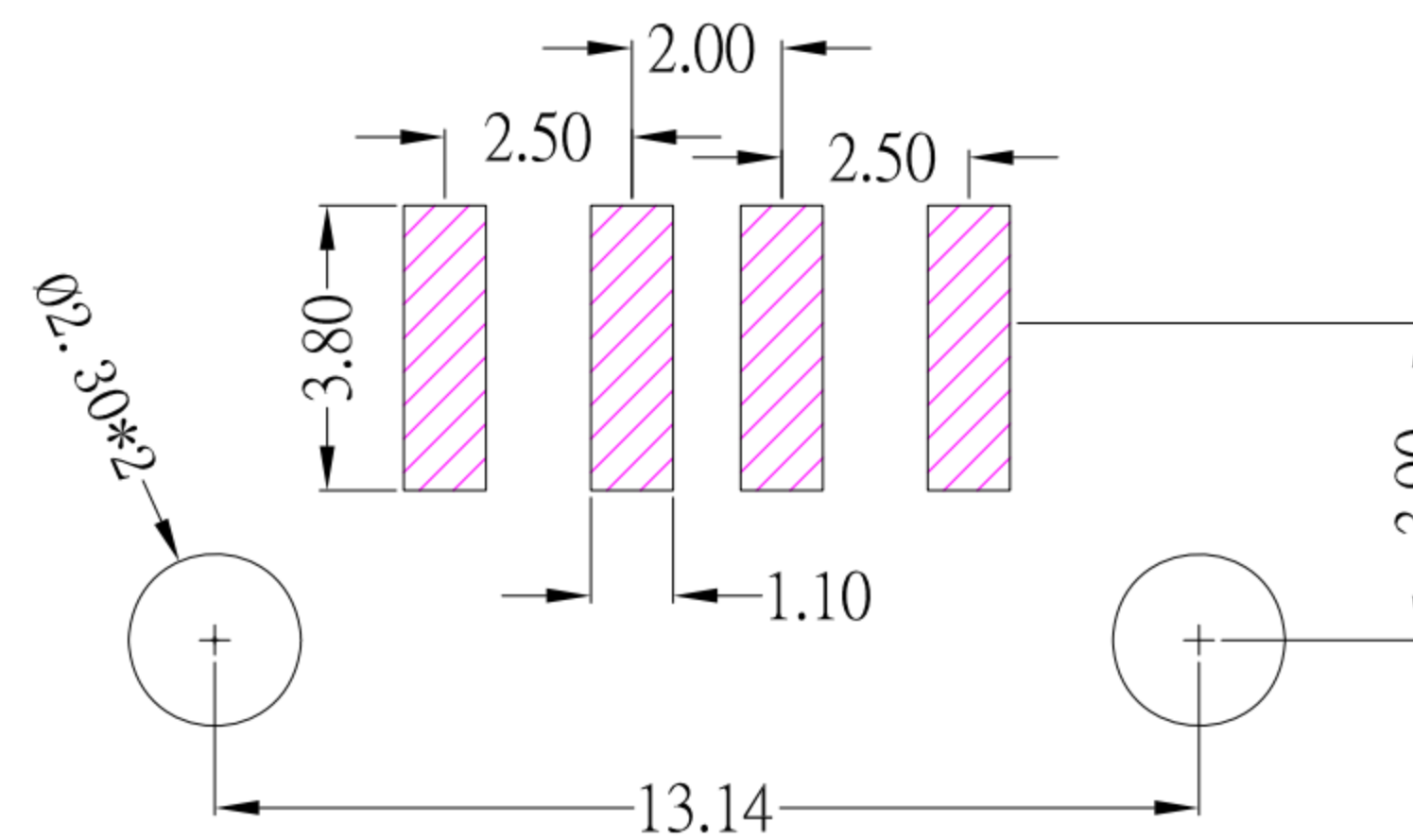
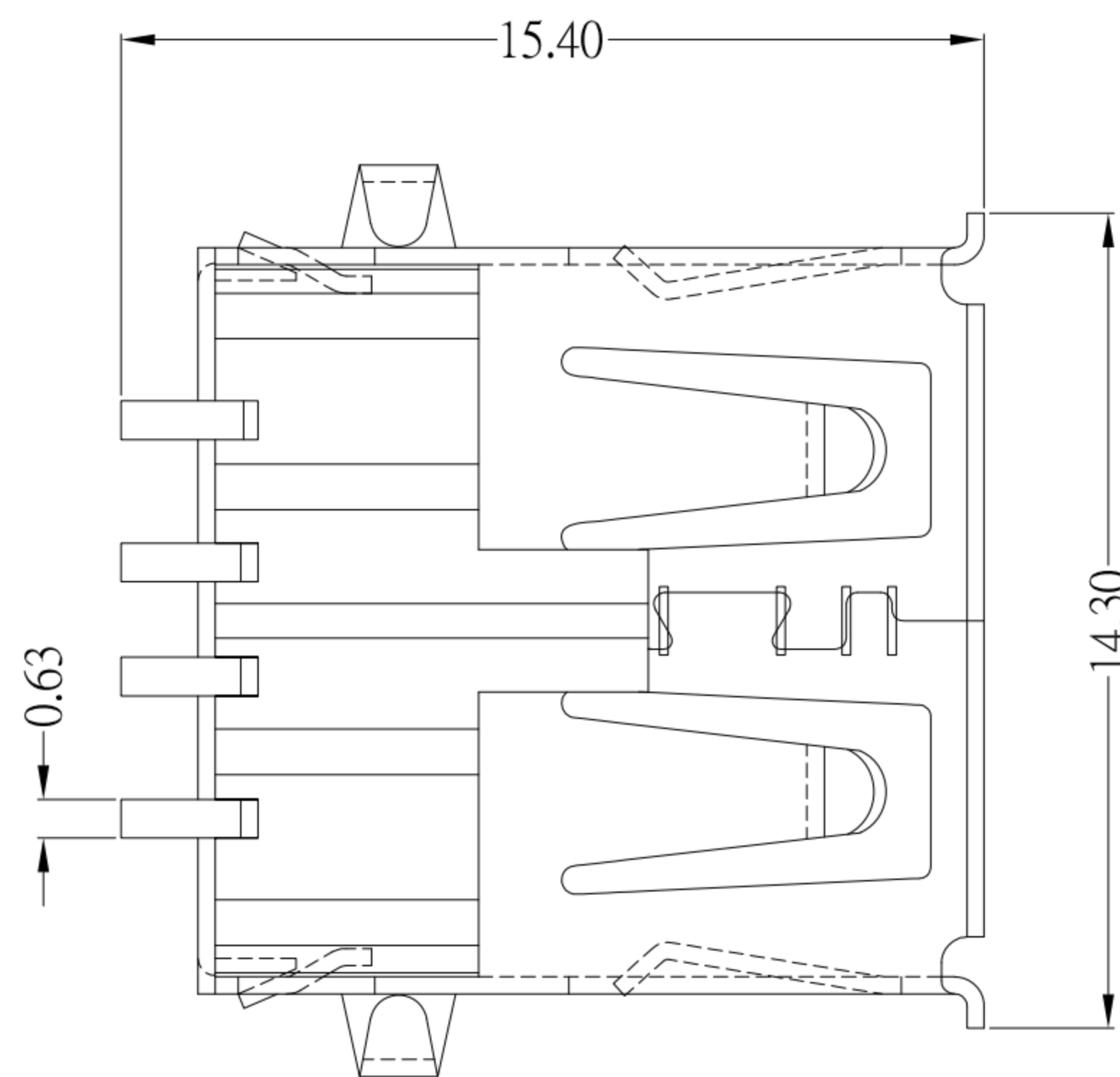
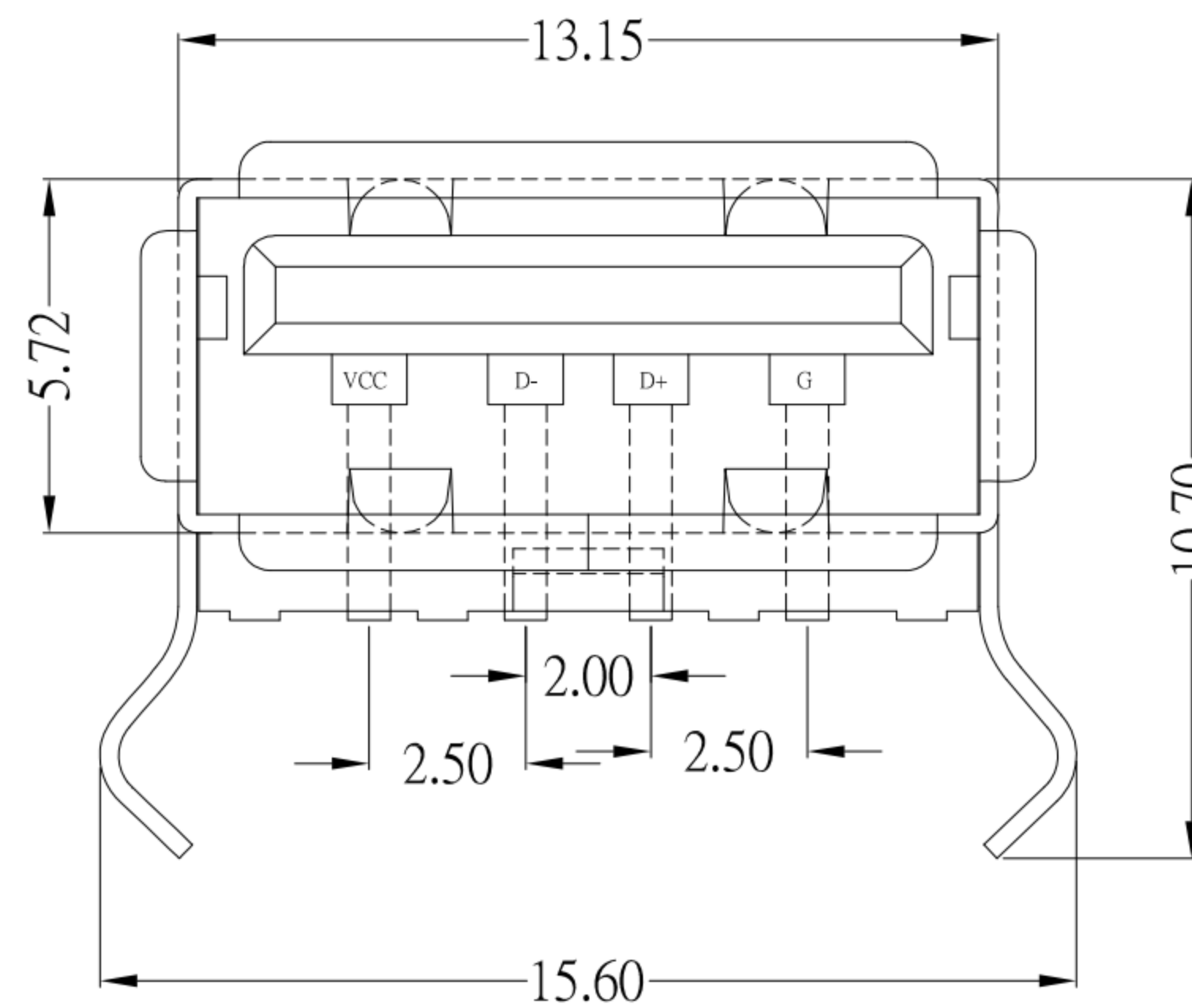
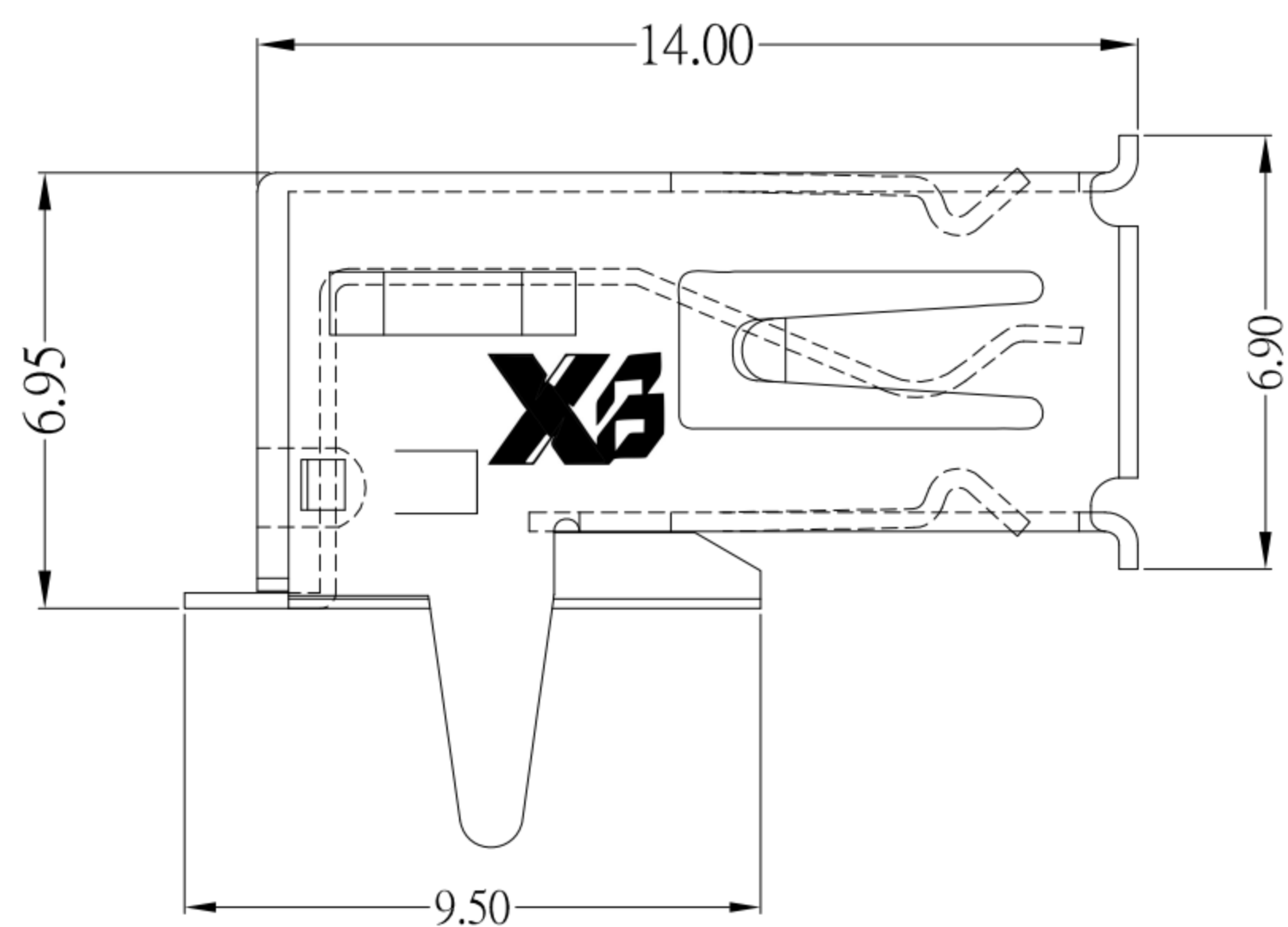
- 1.Connector Mate and Unmate Force
Mate force: 3.57 kgf (Max)
Unmate force: 1.02 kgf (Min)
- 2.Terminal Retention: 1.2 kgf (Min)

Material:

- 1.Housing: LCP / PBT
- 2.Contact: Brass
- 3.Shell: Brass / Spcc

Finish:

- 1.Contact: Plated Gold in Mating Area ;
Tin Plated on Solder Balls ;
Nickel under plated overall
- 2.Shell: Nickel under Plated surface layer



PCB LAYOUT MOUNTING PATTERN

| | | | |
|----------|-------------|-------|--------|
| 6 | 新增尺寸 | Jack | 030317 |
| 5 | 新增PIN定義 | Jack | 022417 |
| 3 | 更新SPEC | Jack | 120915 |
| 2 | 更新料號 | Jack | 113015 |
| 1 | 更新料號 | Jack | 112714 |
| ITEM NO. | DESCRIPTION | DRAWN | DATE |

XB 东莞市溪榜电子有限公司
Switch Connector DONG GUAN XI BANG ELECTRONICS CO., LTD

| | | | | |
|-------------------------------------|--------------------|--------------|-------|----|
| TOLERANCE UNLESS OTHERWISE STATED : | Up to 5 ±0.2 | 3RD. ANGEL'S | UNITS | MM |
| | Above 5 ~ 15 ±0.3 | | | |
| | Above 15 ~ 30 ±0.4 | | | |
| | Above 30 ~ 50 ±0.5 | | | |
| | Angle ±0.3° | | | |

| | | | | |
|--------------|----------|-----------|----------|-------------------|
| DRAWN BY: | DATE | MAT'L | TITLE | CONNECTOR |
| Jack Lu | 03/03/17 | | | |
| CHECKED BY: | DATE | FINISH | MODLE | USB AF |
| Jacky Chen | 03/03/17 | | | |
| APPROVED BY: | DATE | SCALE | DWG NO. | SUA-110Mxx-x-S175 |
| Tony Kao | 03/03/17 | 1 : 1 | | |
| | | SHEET NO. | PART NO. | SUA-110Mxx-x-S175 |
| | | 1 of 1 | | |
| | | | | SIZE A4 |
| | | | | VER R5 |