



SUA-110H29x-x-S236

| | |
|---------------|-----------|
| SHELL : | COLOR : |
| Blank : BRASS | Black: B |
| I : SPCC | White : W |

SPECIFICATIONS

Electrical:

- 1. Rating: 30V AC ; 1.5A
- 1. Contact Resistance: 30 mΩ Max
- 2. Dielectric Withstanding Voltage: 500 V AC
- 3. Insulation Resistance: 1,000 MΩ Min

Mechanical:

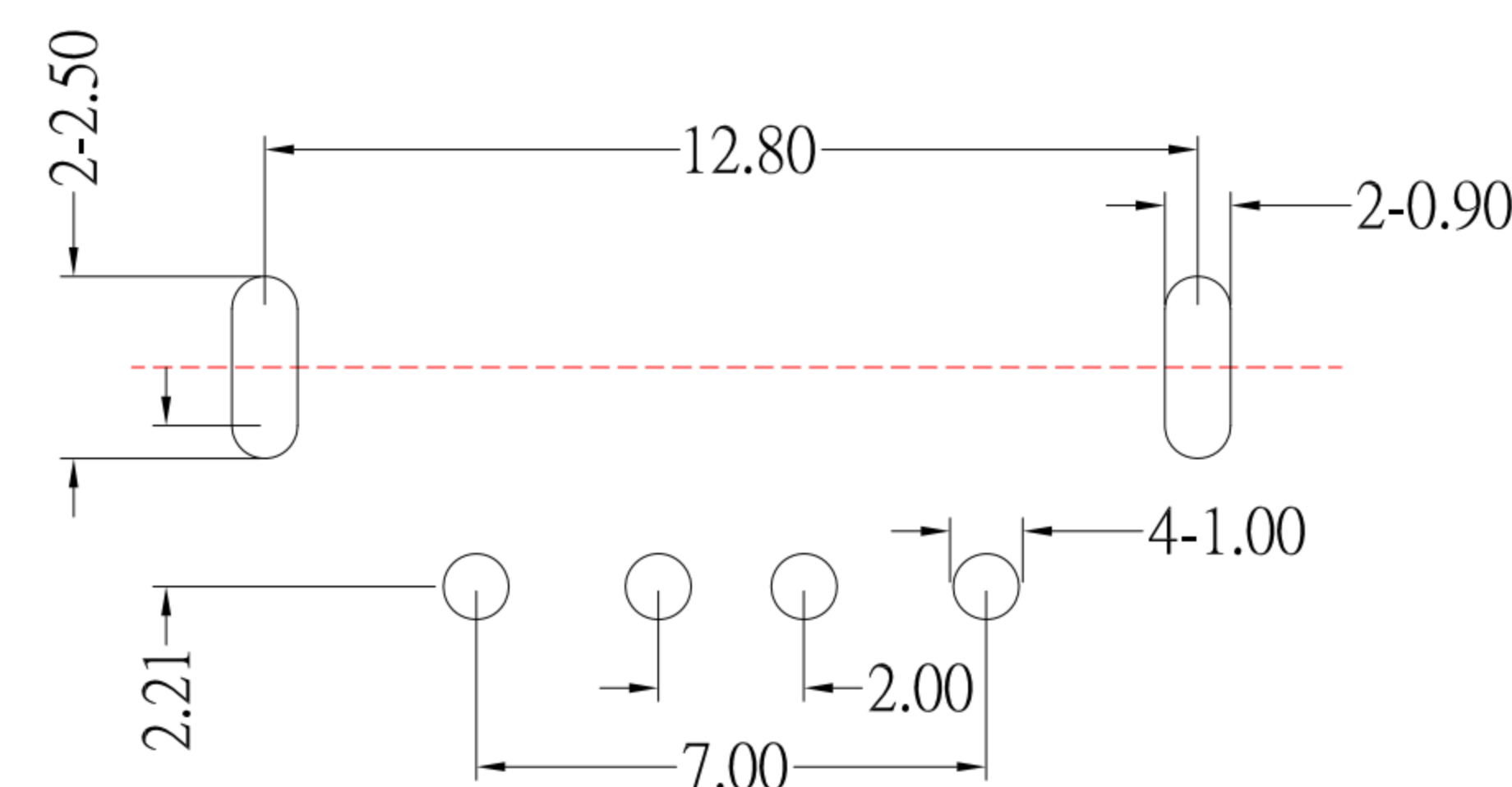
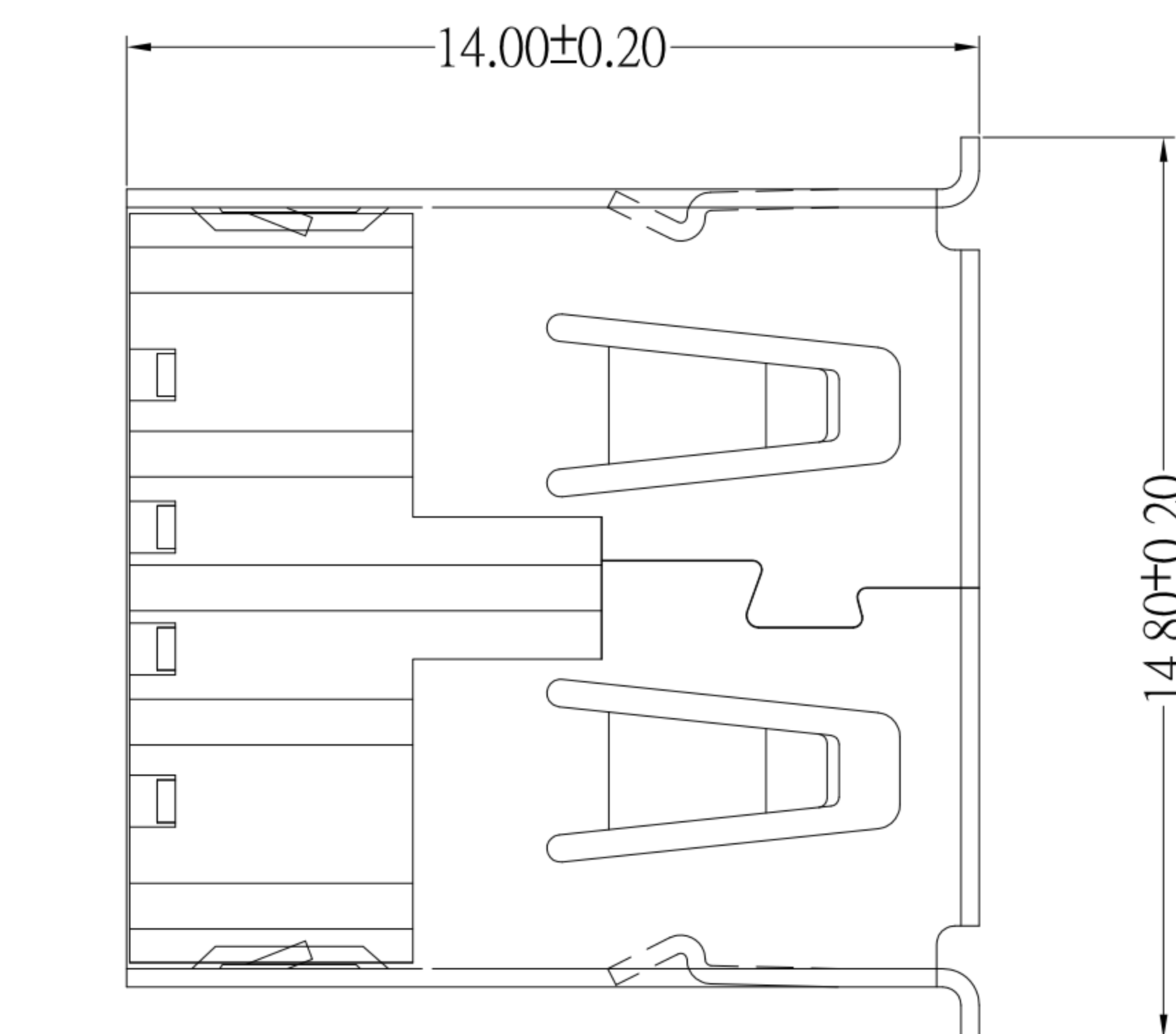
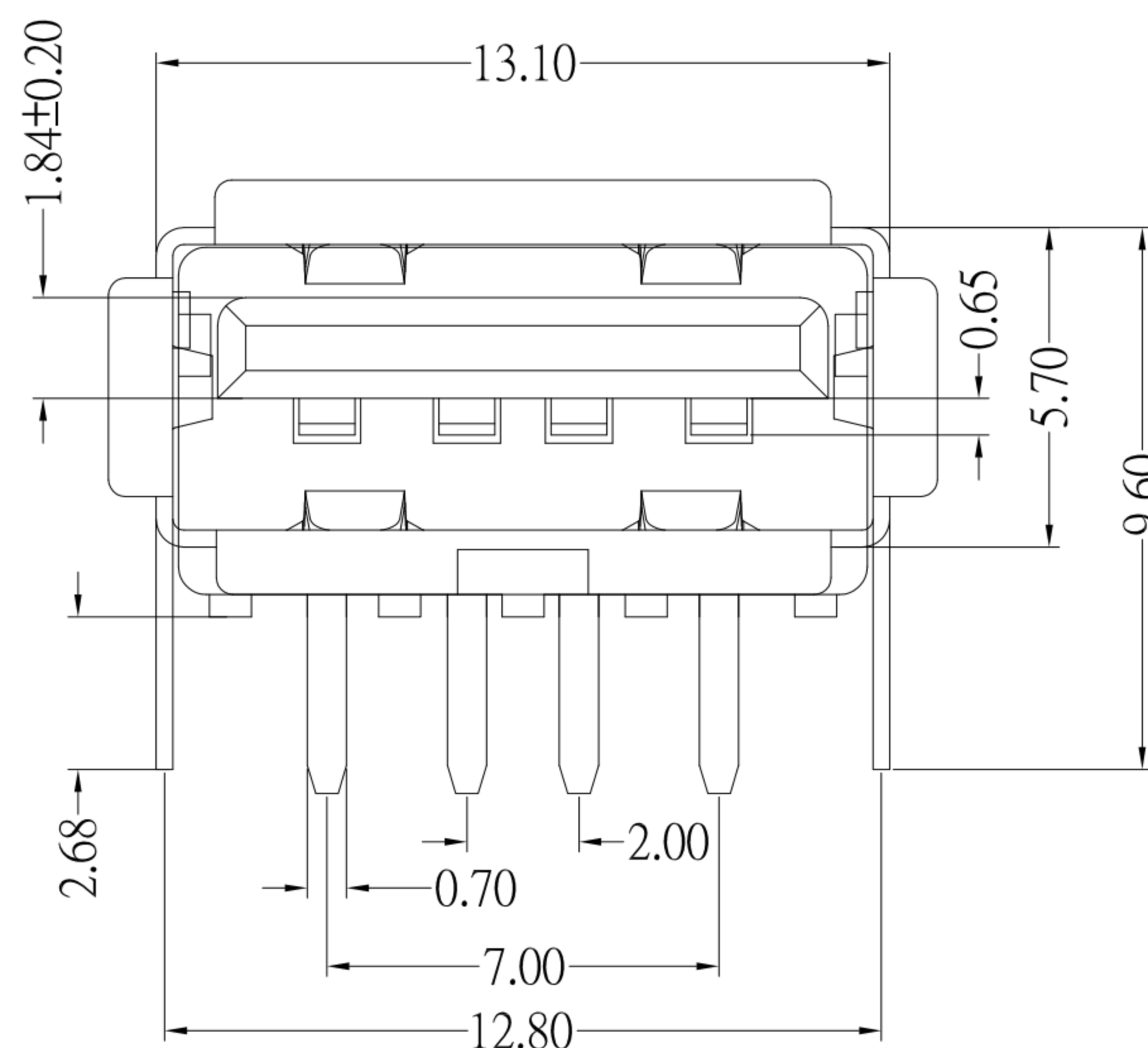
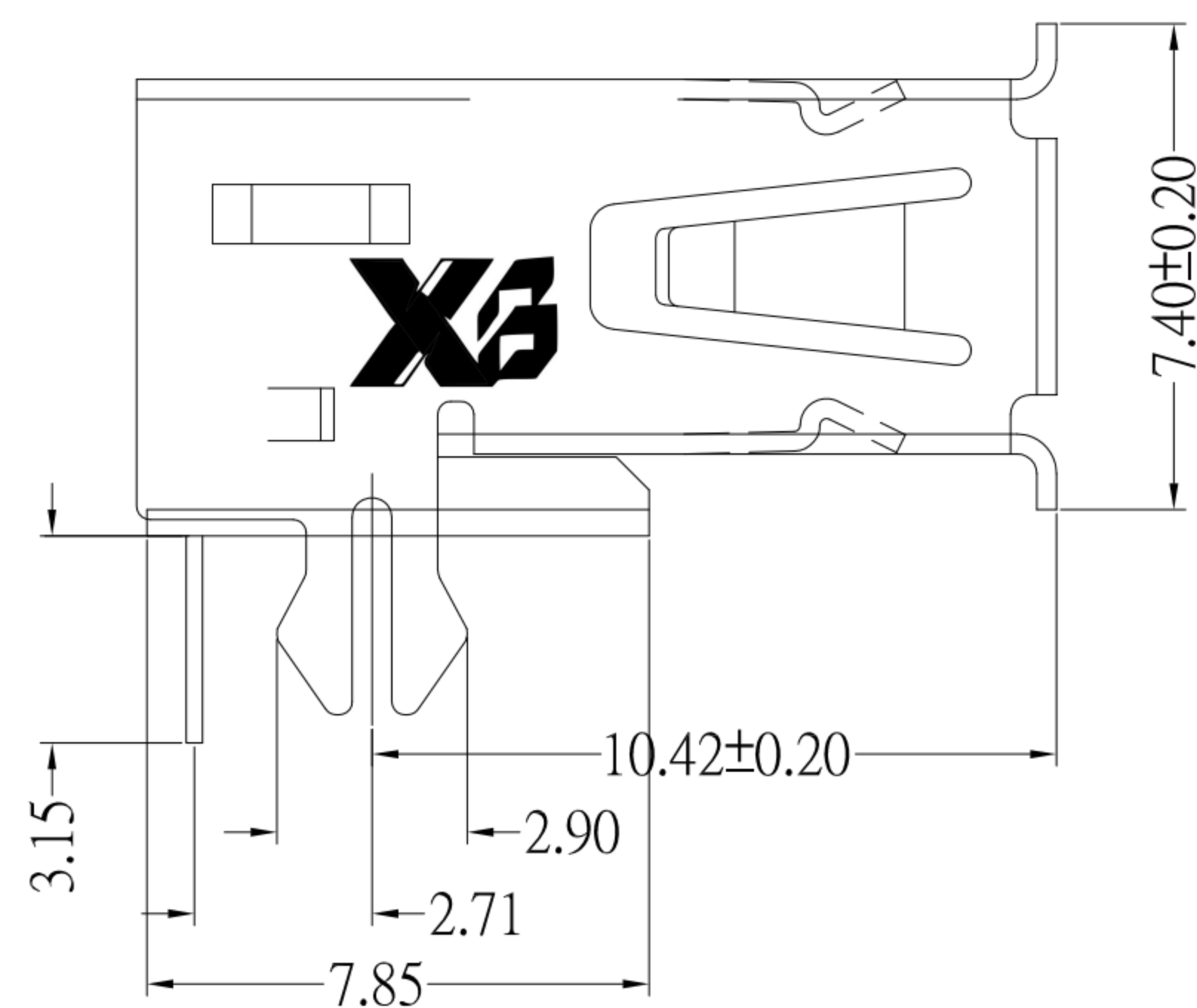
- 1. Connector Mate and Unmate Force
 - 1.1 Mate force: 3.57 Kgf (Max)
 - 1.2 Unmate force: 1.02Kgf (Min)

Material:

- 1. Housing: PBT
- 2. Contact: Brass
- 3. Shell: Brass / SPCC

Finish:

- 1. Contact: Plated Gold in Mating Area ;
Tin Plated on Solder Balls ;
Nickel under plated overall
- 2. Shell: Nickel under Plated surface layer



P.C.B LAYOUT MOUNTING PATTERN

XB 东莞市溪榜电子有限公司
Switch Connector DONG GUAN XI BANG ELECTRONICS CO., LTD

TOLERANCE UNLESS OTHERWISE STATED :
Up to 5 ±0.2
Above 5 ~ 15 ±0.3
Above 15 ~ 30 ±0.4
Above 30 ~ 50 ±0.5
Angle ±0.3°

3RD. ANGEL'S

UNITS MM

| | | | | |
|--------------|----------|--------|----------|---------------------|
| DRAWN BY: | DATE | MAT'L | TITLE | CONNECTOR |
| Jack Lu | 08/28/20 | | | |
| CHECKED BY: | DATE | FINISH | MODLE | USB A/F 90度 魚叉腳 無後蓋 |
| Jacky Chen | 08/28/20 | | | |
| APPROVED BY: | DATE | SCALE | DWG NO. | SUA-110H29x-x-S236 |
| Tony Kao | 08/28/20 | 1 : 1 | PART NO. | SUA-110H29x-x-S236 |
| SHEET NO. | | 1 of 1 | SIZE A4 | |
| | | | VER R | |